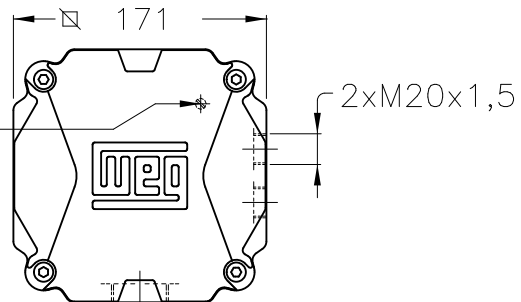


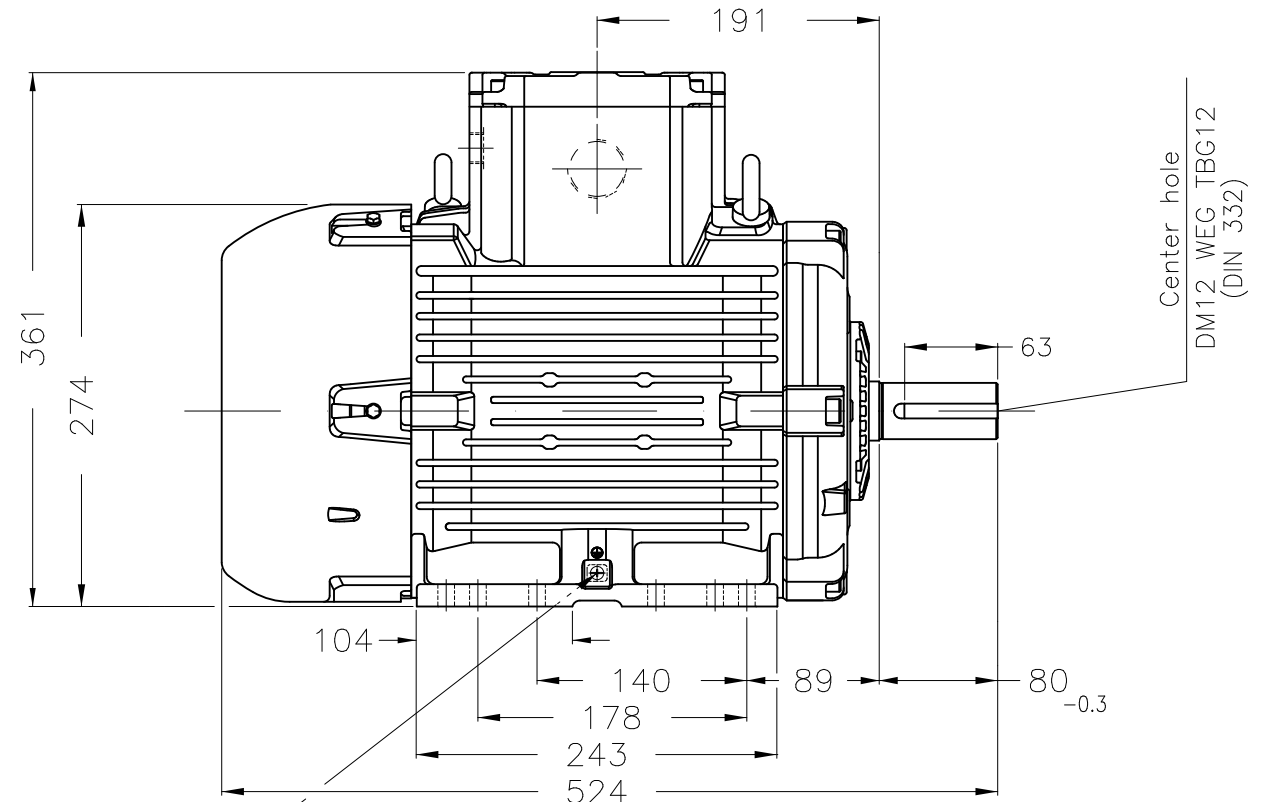
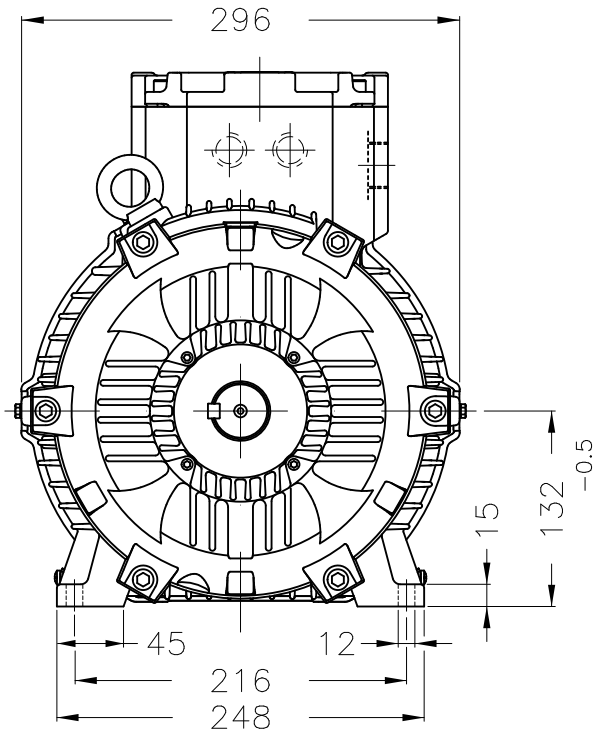
Dimensões em mm
Dimensions in mm

Grounding for leads 2-10 mm² / 14-7 AWG

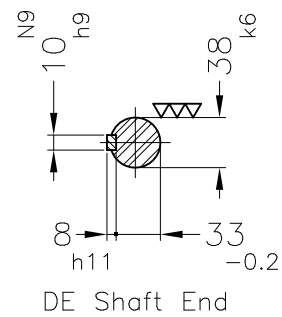


M32x1,5
Main terminal box

THIS IS AN UPDATED REVISION, THE PREVIOUS ONE MUST BE DISREGARDED.



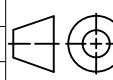
Grounding for leads 2-10 mm² / 14-7 AWG



Color RAL 5009

Painting plan 205P

Mounting B3T

ECM	LOC	SUMMARY OF MODIFICATIONS			EXECUTED	CHECKED	RELEASED	DATE	VER
EXECUTED	USERADMIN		THREE PHASE MOTOR W22 EX-D ARP						
CHECKED			FRAME 132S/M IP56 TEFC						
RELEASED			WEG code: 13391969						
REL DT	24.01.2018	WMO	Jaragua do Sul	Product Engineering	SHEET	1 / 1			

7.5 kW 02 Poles 50 Hz

