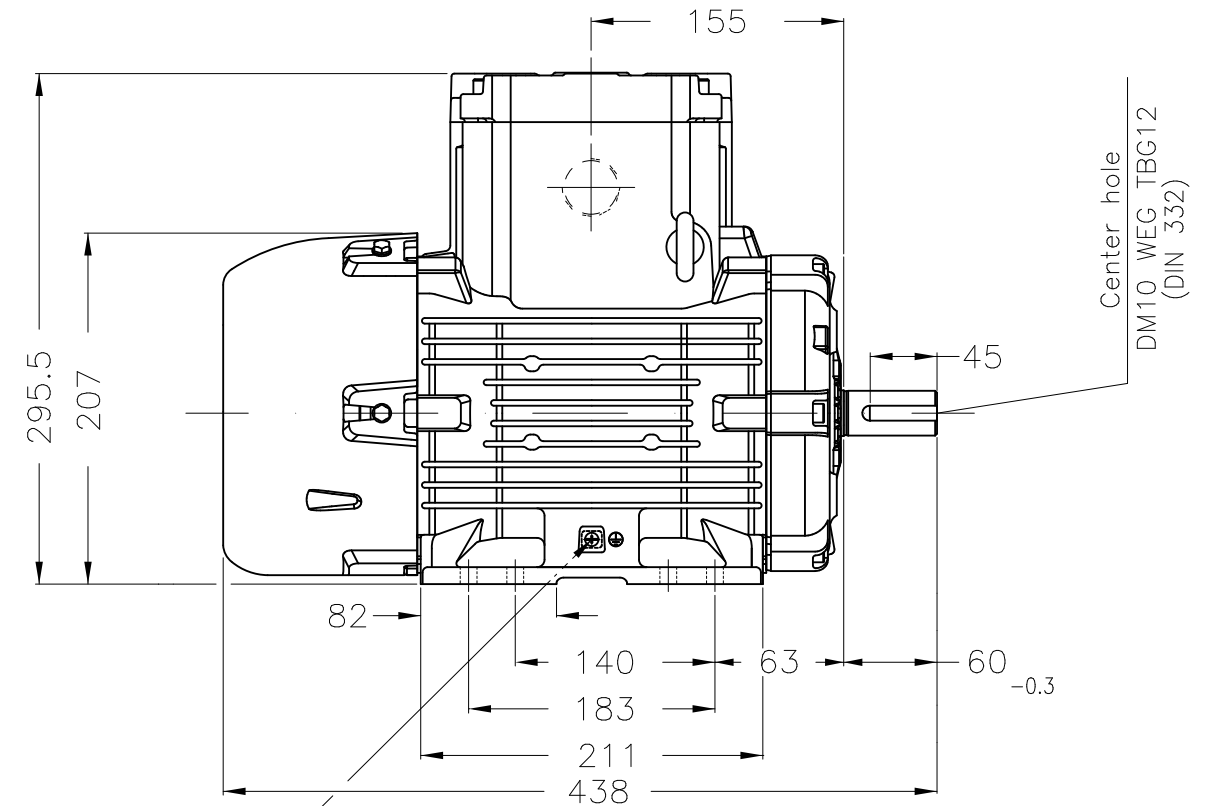
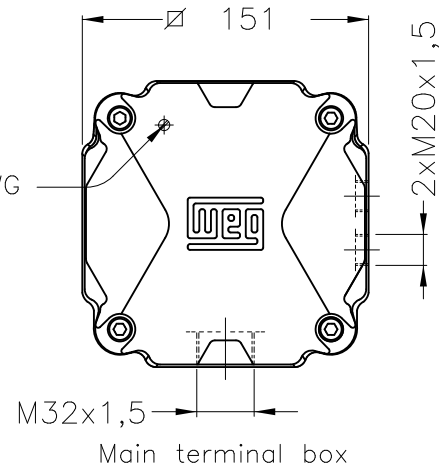
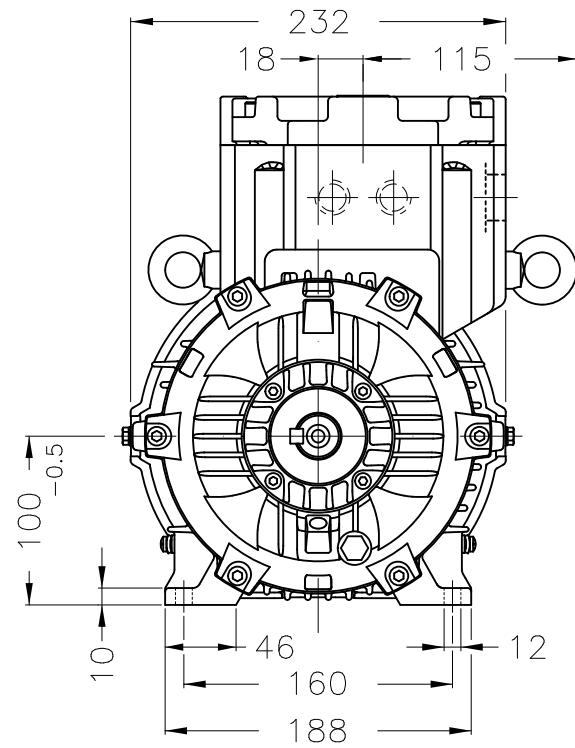


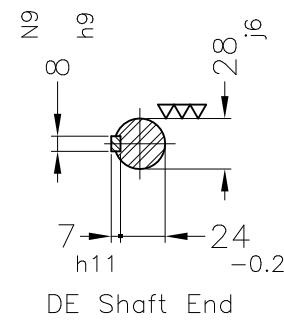
Dimensões em mm
Dimensions in mm

THIS IS AN UPDATED REVISION, THE
PREVIOUS ONE MUST BE DISREGARDED.

Grounding for leads 0.5–6 mm² / 20–10 AWG



Grounding for leads 0.5–6 mm² / 20–10 AWG



DE Shaft End

Color RAL 5009									
Painting plan 205P									
Mounting B3T									
ECM	LOC	SUMMARY OF MODIFICATIONS			EXECUTED	CHECKED	RELEASED	DATE	VER
EXECUTED	USERADMIN	THREE PHASE MOTOR W22 EX-D ARP							
CHECKED		FRAME 100L IP56 TEFC							
RELEASED		WEG code: 13585580							
REL DT	24.01.2018	WMO	Jaragua do Sul	Product Engineering	SHEET	1 / 1			

3 kW 02 Poles 50 Hz

A

