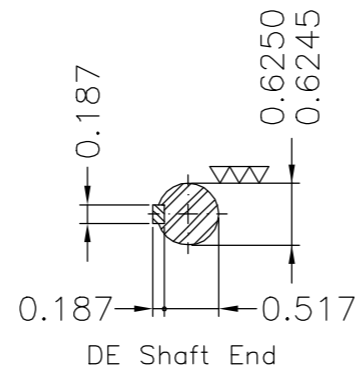
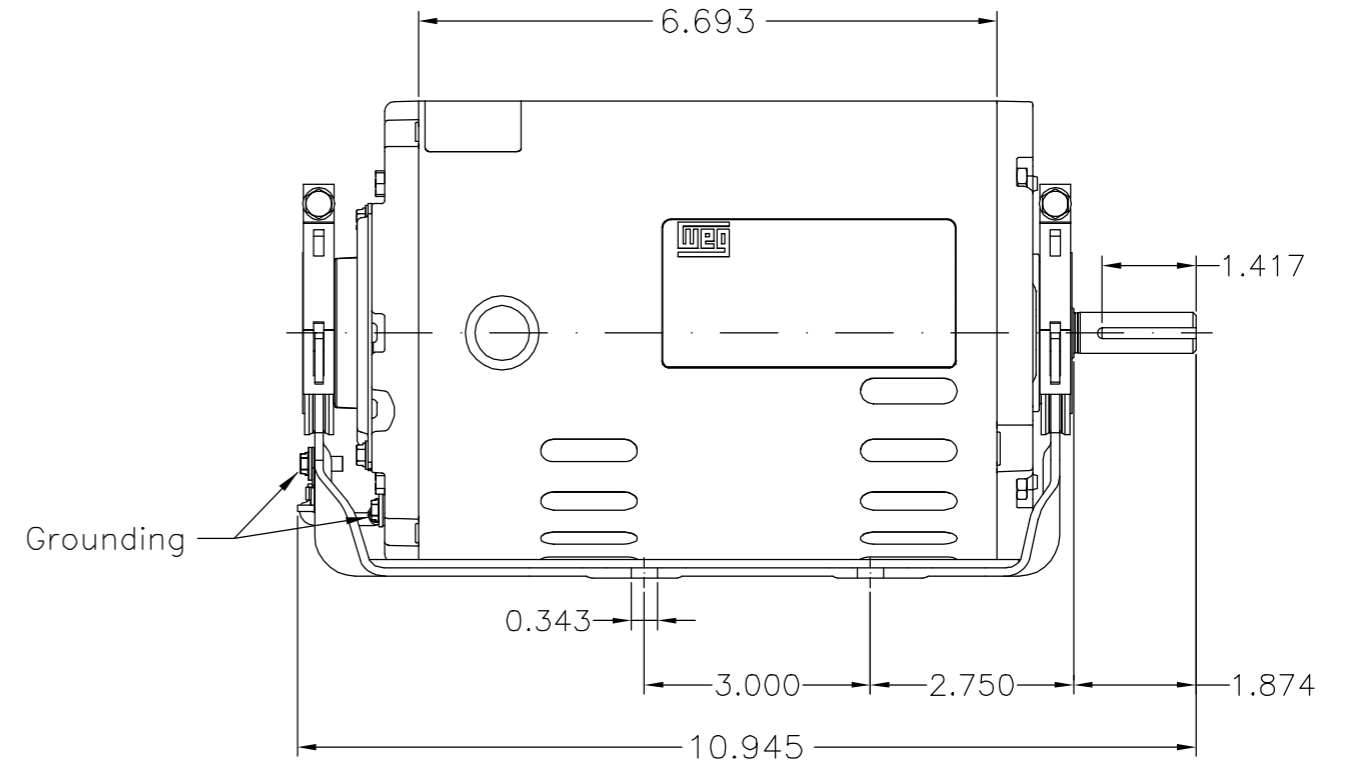
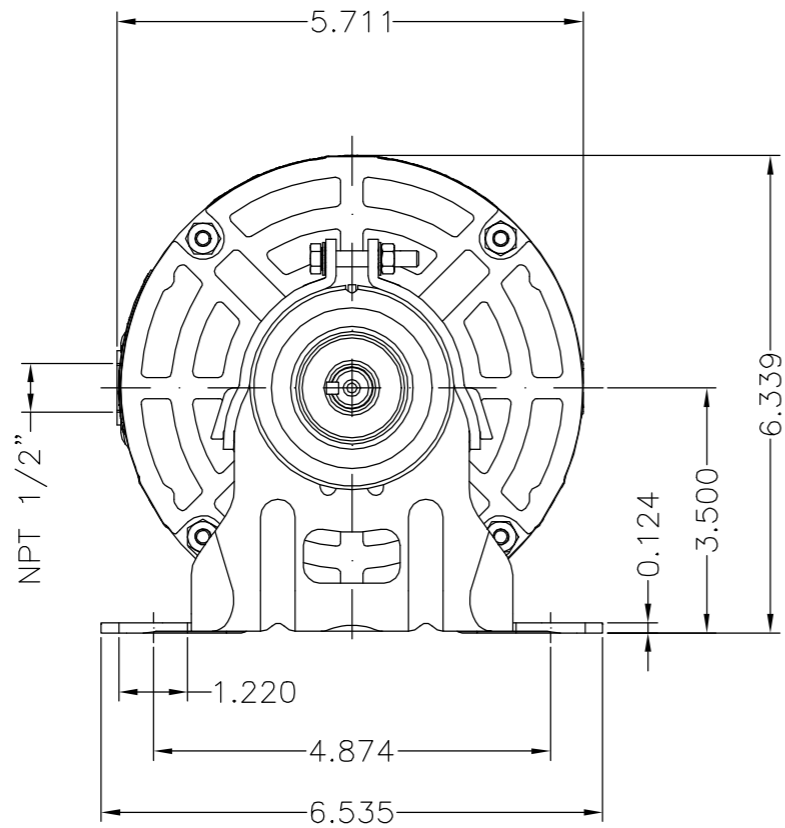


EIXO	
PADRÃO	X
OPCIONAL	
ESPECIAL	

**CERTIFIED
WEG MOTORES**
Certified document.
Not subject to changes.

ESTA REVISÃO SUBSTITUI E CANCELA A ANTERIOR, A QUAL DEVERA SER ELIMINADA.

A
B
C
D
E



Forma construtiva B3D / Mounting B3R(D)						
Sem pintura / Not painted						
Protetor térmico fenólico - automático / Phenolic thermal protector - automatic						
WEG ELECTRIC CORPORATION - WEC						
500001307299		ALTERADO CONFORME ECM	WILLIAMSM	TOBIASR	10.05.2017	02
500001150069			LUCASSZ	VICTORCM	04.03.2016	
ECM	LOC	SUMMARY OF MODIFICATIONS	EXECUTED	CHECKED	RELEASED	DATE VER
EXECUTED	LUCASSZ	SINGLE PHASE MOTOR FRAME W56 IP21	10004115470			
CHECKED			000	02		
RELEASED	VICTORCM					
REL DT	04.03.2016	WMO	LINHARES	ENGENHARIA DE PRODUTO	SHEET	1 / 1

0.5 HP 04 Poles 60Hz 414200919/414198513