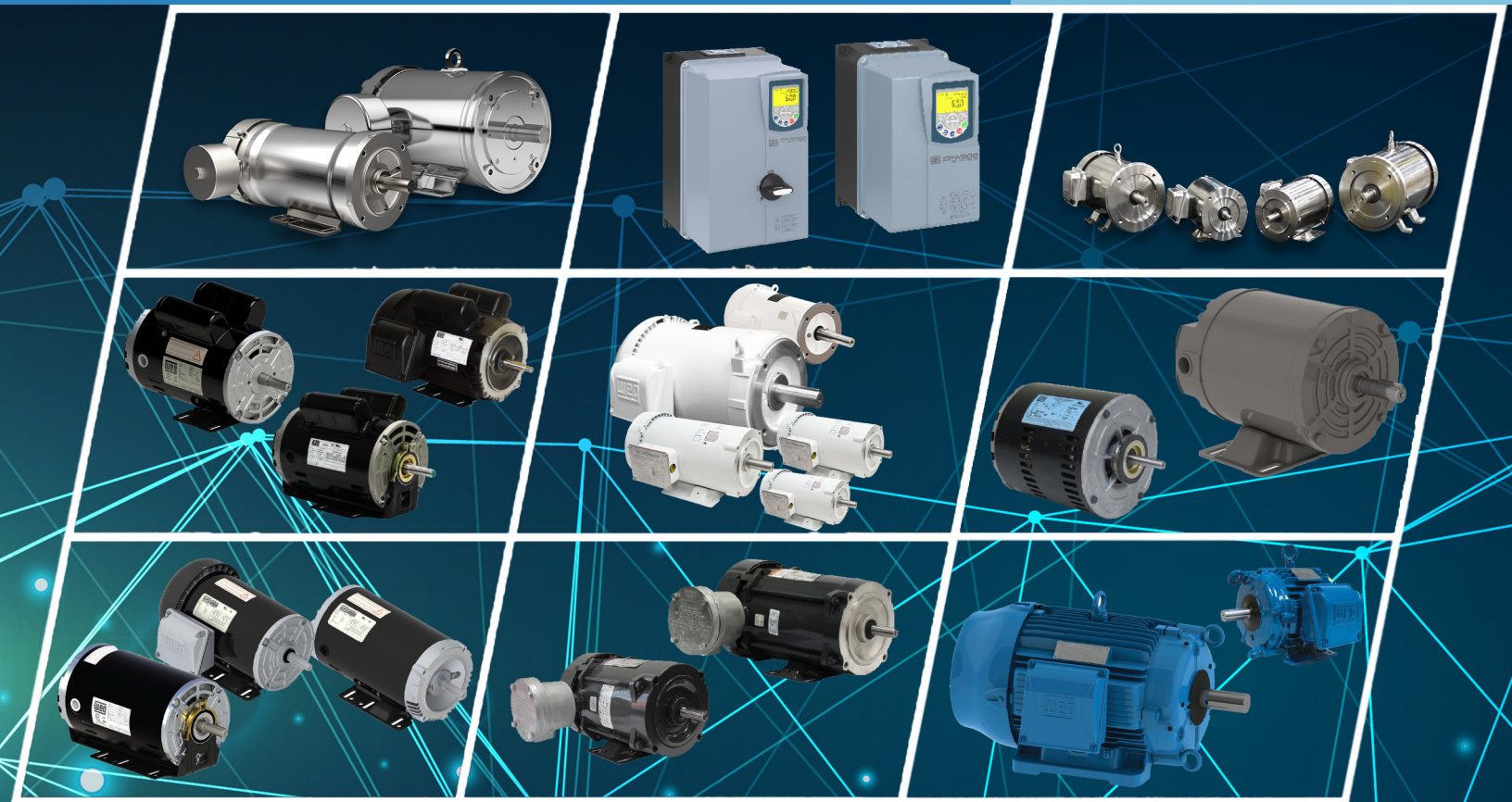


2026

WEG Standard Product Catalog

Washdown Motors | Fractional | Air Handling



Register to keep your
catalog up-to-date





HYDRODUTY™ - STAINLESS STEEL

TEFC - Three-Phase – C-Face Foot Mount	A-141
TENV - Three-Phase – C-Face Foot Mount	A-141
TEFC – Three-Phase C-Face Footless	A-142
TENV – Three-Phase C-Face Footless	A-142
C-Face Foot Mount Drive Match CFW08 Washdown Drive	A-143
C-Face Footless Drive Match CFW08 Washdown Drive	A-144

PICKERPLUS™ - WHITE EPOXY

TEFC – Three-Phase – C-Face Foot Mount	A-145
TEFC – Three-Phase C-Face Footless	A-145

SHARK™ - STAINLESS STEEL

TEFC / TENV – Three-Phase - C-Face Foot Mount	A-146
TEFC / TENV – Three-Phase C-Face Footless	A-147
C-Face Foot Mount Drive Match CFW08 Washdown Drive	A-148
C-Face Footless Drive Match CFW08 Washdown Drive	A-149

HYDROWASH™ - WHITE EPOXY

TEFC / TENV – Three-Phase – C-Face Foot Mount	A-152
TEFC & TENV – Three-Phase C-Face Footless	A-154
TEFC – Three-Phase C-Face Rigid Base	A-155
C-Face Foot Mount Drive Match CFW08 Washdown Drive	A-156
C-Face Footless Drive Match CFW08 Washdown Drive	A-157
C-Face Rigid Base Drive Match CFW08 Washdown Drive	A-157

WASHDOWN DUTY VARIABLE FREQUENCY DRIVE

CFW500 – N4X/IP66 w/o Disconnect Switch	A-159
CFW500 – N4X/IP66 w/ Disconnect Switch	A-160
CFW500 Options and Accessories	A-161
CFW500 Technical Data	A-163

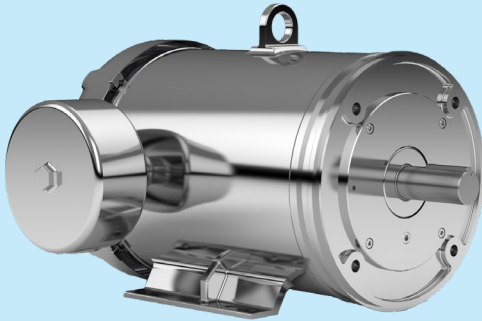
Wash Down Duty

Please refer to inside back cover for description of "NOTES"

For detailed specifications, data sheets, drawings and performance curves visit [http:// www.weg.net](http://www.weg.net)

Data subject to change without notice.

Hydroduty™



Our Ultimate Washdown Motor

- This is our ultimate stainless steel waterproof motor. It has been proven to provide 75% more cycles than other brands through extreme environment testing.
- Significantly reduces motor replacement and downtime costs
- Meets NEMA MG1 Part 31 for InverterDuty operation; 10:1 CT; 10:1 VT



Performance Specifications

- 1/2 to 10 hp, 860, 1140, 1725 or 3450 RPM
- TENV or TEFC enclosures
- NEMA Frames 56C - 215TC
- Metric Frame 80-B5 and 100L
- Meets IP69K enclosure protection

PickerPlus™



Wash Down Duty

Severe Duty Feather Picker Motor

- Withstands frequent sanitizing with high pressure sprays and caustic fluids.
- Designed to withstand extreme side loading requirements

Performance Specifications

- 3 hp, 1725 RPM
- TEFC enclosure
- 145TC NEMA or 100L Metric Frames
- Footless or Base Mounted
- C-Face
- Meets IP69K enclosure protection

General Purpose Washdown Motors

Shark™



Stainless Steel Washdown Motor

- For use in food processing, pharmaceutical and other applications requiring extreme cleanliness
- Class F epoxy insulation
- Meets NEMA MG1 Part 31 for Inverter Duty operation; 6:1 CT; 10:1 VT

Performance Specifications

- 1-30 hp NEMA Premium
- 1800 and 3600 RPM
- TEFC enclosures
- Frames 143TC to 286TC
- Base Mounted
- Meets IP56 enclosure protection

HydroWash™



White Painted Washdown Motor

- Designed for long service life in general purpose washdown applications
- It provides extended service life that can reduce your downtime costs for motor replacement
- Meets NEMA MG1 Part 31 for Inverter Duty operation; 6:1 CT; 10:1 VT

Performance Specifications

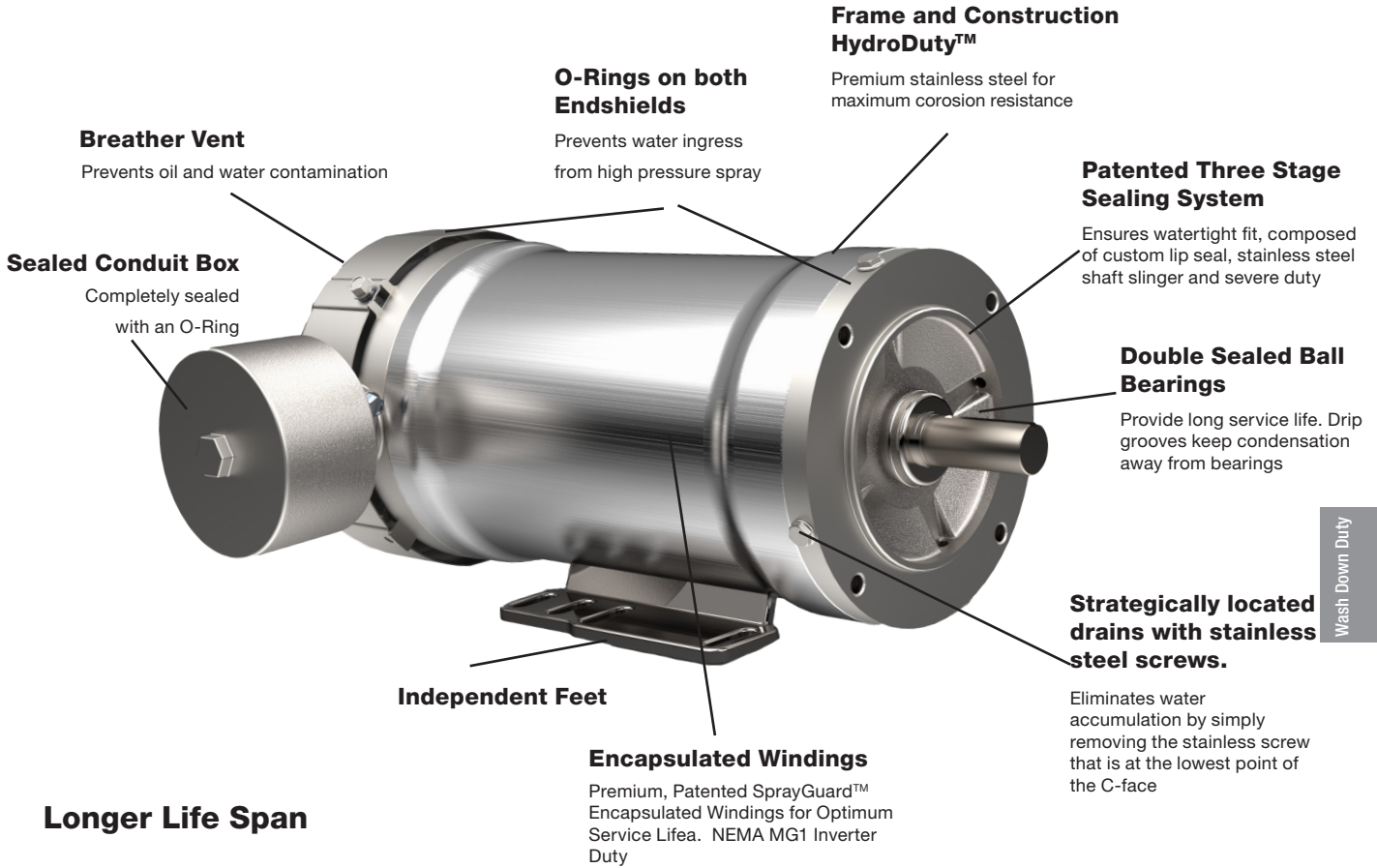
- 1/2 to 25hp
- TENV or TEFC enclosures
- NEMA Frames 56C - 256TC
- Footless or Base Mounted
- Meets IP56 enclosure protection

Cross other manufacturer's models to WEG equivalents



HydroDuty™

New features that make it easier to clean.



Wash Down Duty

HydroDuty General features

- Available from 0.5HP up to 10 HP
- TENV or TEFC enclosures
- NEMA Frames 56C, 143/5TC, 182/4TC and 213/5TC
- Independent Feet
- Construction Safe for Food, Beverage and Pharmaceutical
- InverterDuty operation
- Protection Degree IP69K
- Internal Aegis Shaft Grounding ring available as factory build
- Voltage: 230/460/ @60hz 190/380V @50hz
- NEMA Premium design and IE3 compliant for 50hz
- Made in the US
- Colored Leads
- EZ connect available for 56C and 143/5TC
- Improved Welding Finish

* Patent Pending



Please refer to inside back cover for description of "NOTES"

For detailed specifications, data sheets, drawings and performance curves visit [http:// www.weg.net](http://www.weg.net)

Data subject to change without notice.

Encapsulated Wash Down Duty



THREE -PHASE

HydroDuty™ - Stainless Steel - TEFC - C-Face - Foot Mount

HP	kW	RPM	Frame	Model Number	List Price	Mult. Symbol	Approx. Shipping Weight (lbs)	Service Factor	FL Amps @ High	FL. Eff (%)	"C" Dimension Standard/EZ Model	Voltage (V)	Notes
0.50	0.37	1800	56C	.5018ET3EHD56C	\$1,450	S3	43	1.00	1.02	73.5	13.88	230/460	1,21
		1200	56C	.5012ET3EHD56C	\$1,694	S3	44	1.15	1.35	66	13.88	230/460	21
0.75	0.55	1800	56C	.7518ET3EHD56C	\$1,544	S3	43	1.15	1.47	75.5	13.88	230/460	21
		900	56C	.7509ET3EHD56C	\$1,794	S3	59	1.00	2.35	70	15.63	230/460	1,21
1	0.75	3600	56C	00136ET3EHD56C	\$1,601	S3	43	1.15	1.57	77.0	13.88	230/460	21
		1800	56C	00118ET3EHD56C	\$1,619	S3	54	1.15	1.55	85.5	15.63	230/460	21
		1800	143TC	00118ET3EHD143TC	\$1,642	S3	55	1.15	1.55	85.5	15.69	230/460	21
		1800	56C	00118ET3HHD56C	\$1,630	S3	53	1.15	1.28	85.5	15.63	575	21
		1200	56C	00152ET3EHD56C	\$1,875	S3	53	1.15	1.78	82.5	14.63	230/460	21
		1200	145TC	00112ET3EHD143TC	\$1,886	S3	53	1.15	1.78	82.5	14.69	230/460	21
1.5	1.1	3600	56C	00156ET3EHD56C	\$1,658	S3	50	1.15	1.96	84.0	14.63	230/460	21
		1800	145TC	00158ET3EHD145TC	\$1,706	S3	56	1.15	2.13	86.5	15.69	230/460	21
		1800	56C	00158ET3EHD56C	\$1,683	S3	56	1.15	2.13	86.5	15.63	230/460	21
2	1.5	3600	145TC	00236ET3EHD145TC	\$1,976	S3	53	1.15	2.59	85.5	14.69	230/460	21
		3600	145TC	00236ET3HHD145TC	\$1,981	S3	52	1.15	2.07	85.5	14.69	575	21
		3600	56C	00236ET3EHD56C	\$1,958	S3	53	1.15	2.59	85.5	14.63	230/460	21
		1800	145TC	00218ET3EHD143TC	\$2,005	S3	56	1.15	2.94	86.5	15.69	230/460	21
		1800	145TC	00218ET3HHD145TC	\$2,025	S3	58	1.15	2.32	86.5	15.69	575	21
		1800	56C	00218ET3EHD56C	\$1,981	S3	56	1.15	2.94	86.5	15.63	230/460	21
		1800	56C	00218ET3HHD56C	\$1,995	S3	58	1.15	2.32	86.5	15.63	575	21
3	2.2	3600	145TC	00318ET3EHD143TC	\$2,300	S3	61	1.15	3.63	86.5	15.69	230/460	21
		3600	56C	00336ET3EHD56C	\$2,290	S3	61	1.15	3.63	86.5	15.63	230/460	21
		3600	182TC	00336ET3EHD182TC	\$2,915	S3	90	1.15	3.8	86.5	15.78	230/460	21, 45
		1800	182TC	00318ET3EHD182TC	\$2,875	S3	85	1.15	3.9	89.5	15.78	230/460	21, 45
5	3.7	3600	184TC	00536ET3EHD184TC	\$3,500	S3	103	1.15	6.2	88.5	15.78	230/460	21, 45
		1800	184TC	00518ET3EHD184TC	\$3,305	S3	160	1.15	6.3	89.5	15.78	230/460	21, 45
7.5	5.5	3600	215TC	00736ET3EHD213TC	\$4,151	S3	203	1.15	9.3	89.5	19.18	230/460	21, 45
		1800	213TC	00718ET3EHD213TC	\$4,280	S3	173	1.15	9.6	91.7	19.18	230/460	21, 45
10	7.5	3600	215TC	01036ET3EHD215TC	\$4,693	S3	213	1.15	11.8	90.2	19.18	230/460	21, 45
		1800	215TC	01018ET3EHD215TC	\$4,968	S3	205	1.15	13.2	91.7	19.18	230/460	21, 45

Wash Down Duty

HydroDuty™ - Stainless Steel - TENV - C-Face - Foot Mount



HP	kW	RPM	Frame	EZ Connect Model Number	List Price	Mult. Symbol	Approx. Shipping Weight (lbs)	Service Factor	FL Amps @ High	FL. Eff (%)	"C" Dimension Standard/EZ Model	Voltage (V)	Notes
0.5	0.37	3600	56C	.5036NT3EHD56C	\$1,435	S3	38	1.00	0.8	79.0	12.91	230/460	1,21
		1800	56C	.5018NT3EHD56C	\$1,455	S3	40	1.00	0.86	80.0	12.91	230/460	1,21
0.75	0.55	3600	56C	.7536NT3EHD56C	\$1,460	S3	41	1.15	1.12	81.0	12.91	230/460	21
		1800	56C	.7518NT3EHD56C	\$1,483	S3	44	1.00	1.25	82.5	12.91	230/460	1,21
		1200	56C	.7512NT3EHD56C	\$1,795	S3	49	1.00	1.66	77	13.66	230/460	1,21
1	1.75	3600	56C	00136NT3HHD56C	\$1,635	S3	44	1.00	1.12	86.0	13.66	575	1,21
		3600	56C	00136NT3EHD56C	\$1,630	S3	42	1.15	1.38	85.0	13.66	230/460	21
		1800	143TC	00118NT3EHD143TC	\$1,615	S3	54	1.00	1.55	85.5	14.72	230/460	1,21
		1800	56C	00118NT3EHD56C	\$1,591	S3	53	1.00	1.55	85.5	14.66	230/460	1,21
		1800	56C	00118NT3EHDLT56C	\$1,696	S3	54	1.00	1.55	85.5	14.66	230/460	1,21
		1800	56C	00118NT3HHD56C	\$1,610	S3	51	1.00	1.24	85.5	13.66	575	1,21

**Low temperature ratings

All ratings are 208-230/460; 40° C ambient; Class F insulation

56 and 145 Frame models also rated 230/460, 50HZ, 1.0SF

¹ Regular terminal box

² EZ-Connect model is 56C frame.

Find the Right Drive for your HydroDuty™ Motor on page 144



For detailed specifications, data sheets, drawings and performance curves visit <http://www.weg.net>

HydroDuty™ - Stainless Steel - TEFC - C-Face - Footless

HP	kW	RPM	Frame	EZ Connect Model Number	List Price	Mult. Symbol	Approx. Shipping Weight (lbs)	Service Factor	FL Amps @ High	FL. Eff (%)	"C" Dimension Standard/ EZ Model	Voltage (V)	Notes
0.75	0.55	1800	56C	.7518ET3EHD56CFL	\$1,526	S3	42	1.15	1.47	75.5	13.88	230/460	20;21
1	0.75	3600	56C	00136ET3EHD56CFL	\$1,581	S3	42	1.15	1.57	77.0	13.88	230/460	20;21
		1800	143TC	00118ET3EHDR143TC	\$1,626	S3	53	1.15	1.55	85.5	15.69	230/460	20;21
		1800	56C	00118ET3EHD56CFL	\$1,601	S3	52	1.15	1.55	85.5	15.63	230/460	20;21
		1800	145TC	00158ET3EHDR145TC	\$1,688	S3	55	1.15	2.13	86.5	15.69	230/460	20;21
1.5	1.1	1800	56C	00158ET3EHD56CFL	\$1,663	S3	55	1.15	2.13	86.5	15.63	230/460	20;21
		1800	145TC	00218ET3EHDR143TC	\$1,985	S3	55	1.15	2.94	86.5	15.69	230/460	20;21
2	1.5	1800	56C	00218ET3EHD56CFL	\$1,962	S3	55	1.15	2.94	86.5	15.63	230/460	20;21
		1800	184TC	00318ET3EHDR184TC	\$2,805	S3	112	1.15	4.3	89.5	17.2	230/460	20;21
3	2.2	1800	184TC	00318ET3EHDR184TC	\$2,805	S3	112	1.15	4.3	89.5	17.2	230/460	20;21
5	3.7	1800	184TC	00518ET3EHDR184TC	\$3,295	S3	120	1.00	6.7	89.5	17.2	230/460	1;20;21

HydroDuty™ - Stainless Steel - TENV - C-Face - Footless

HP	kW	RPM	Frame	EZ Connect Model Number	List Price	Mult. Symbol	Approx. Shipping Weight (lbs)	Service Factor	FL Amps @ High	FL. Eff (%)	"C" Dimension Standard/ EZ Model	Voltage (V)	Notes
0.5	0.37	1800	56C	.5018NT3EHD56CFL	\$1,421	S3	39	1.00	0.86	80.0	12.91	230/460	1;20;21
0.75	0.55	3600	56C	.7536NT3EHD56CFL	\$1,443	S3	40	1.15	1.12	81.0	12.91	230/460	20;21
		1800	56C	.7518NT3EHD56CFL	\$1,465	S3	43	1.00	1.25	82.5	12.91	230/460	1;20;21
1	0.75	1800	56C	00118NT3EHD56CFL	\$1,572	S3	52	1.00	1.55	85.5	14.68	230/460	1;20;21
		1800	143TC	00118NT3EHDR143TC	\$1,595	S3	52	1.00	1.55	85.5	14.72	230/460	1;20;21
		1800	56C	00118NT3EHDLT56CFL	\$1,676	S3	52	1.00	1.55	85.5	14.66	230/460	1;20;21
		1800	100L	00118NT3EHDR100L	\$1,891	S3	53	1.00	1.55	85.5	14.94	230/460	1;20;21
		1200	56C	00112ET3EHD56CFL	\$1,900	S3	59	1.00	2	82.5	14.66	230/460	1;20;21

All ratings are 208-230/460; 40° C ambient; Class F insulation

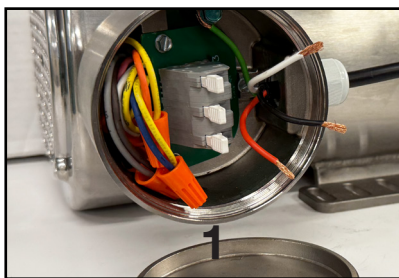
56 and 145 Frame models also rated 230/460, 50HZ, 1.0SF

¹ Regular terminal box

Find the Right Drive for your HydroDuty™ Motor on page 145



1. Ensure leads are connected for appropriate voltage per nameplate. Attach green ground lead to provided screw terminal.



2. Feed incoming leads into appropriate termination (L1, L2, L3).



3. Close Terminal Levers and tighten waterproof cable gland or conduit connection.



Please refer to inside back cover for description of "NOTES"

For detailed specifications, data sheets, drawings and performance curves visit [http:// www.weg.net](http://www.weg.net)

Data subject to change without notice.

Encapsulated Wash Down Duty



THREE -PHASE

HydroDuty™ Motor and
CFW500 Washdown Drive
Quick Selection Guide



HydroDuty™ - Stainless Steel - TEFC - C-Face - Foot Mount

HP	RPM	Voltage (V)	Model Number	Motor List Price	FL Eff. (%)	460V Drive ¹	Drive List Price	230V Drive ¹	Drive List Price
0.50	1800	230/460	.5018ET3EHD56C	\$1,450	73.5	CFW500A02P6B2DB66G2	\$800	CFW500A01P6T4DB66G2	\$975
0.50	1200	230/460	.5012ET3EHD56C	\$1,694	66.0	CFW500A04P3B2DB66G2	\$850	CFW500A01P6T4DB66G2	\$975
0.75	1800	230/460	.7518ET3EHD56C	\$1,544	75.5	CFW500A04P3B2DB66G2	\$850	CFW500A01P6T4DB66G2	\$975
	900	230/460	.7509ET3EHD56C	\$1,794	70.0	CFW500A07P3B2DB66G2	\$1,015	CFW500A02P6T4DB66G2	\$990
1	3600	230/460	00136ET3EHD56C	\$1,601	77.0	CFW500A04P3B2DB66G2	\$850	CFW500A01P6T4DB66G2	\$975
	1800	230/460	00118ET3EHD56C	\$1,619	85.5	CFW500A04P3B2DB66G2	\$850	CFW500A01P6T4DB66G2	\$975
	1800	230/460	00118ET3EHD143TC	\$1,642	85.5	CFW500A04P3B2DB66G2	\$850	CFW500A01P6T4DB66G2	\$975
	1800	575	00118ET3HHD56C	\$1,630	85.5	CFW500B01P7T5DB66 ²	\$1,590		
	1200	230/460	00152ET3EHD56C	\$1,875	82.5	CFW500A04P3B2DB66G2	\$850	CFW500A02P6T4DB66G2	\$990
	1200	230/460	00112ET3EHD143TC	\$1,886	82.5	CFW500A04P3B2DB66G2	\$850	CFW500A02P6T4DB66G2	\$990
	3600	230/460	00156ET3EHD56C	\$1,658	84.0	CFW500A04P3B2DB66G2	\$850	CFW500A02P6T4DB66G2	\$990
1.5	1800	230/460	00158ET3EHD145TC	\$1,706	86.5	CFW500A04P3B2DB66G2	\$850	CFW500A02P6T4DB66G2	\$990
	1800	230/460	00158ET3EHD56C	\$1,683	86.5	CFW500A04P3B2DB66G2	\$850	CFW500A02P6T4DB66G2	\$990
	3600	230/460	00236ET3EHD145TC	\$1,976	85.5	CFW500A07P3B2DB66G2	\$1,015	CFW500A02P6T4DB66G2	\$990
2	3600	575	00236ET3HHD145TC	\$1,981	85.5	CFW500B03P0T5DB66 ²	\$1,670		
	3600	230/460	00236ET3EHD56C	\$1,958	85.5	CFW500A07P3B2DB66G2	\$1,015	CFW500A02P6T4DB66G2	\$990
	1800	230/460	00218ET3EHD143TC	\$2,005	86.5	CFW500A07P3B2DB66G2	\$1,015	CFW500A04P3T4DB66G2	\$1,175
	1800	575	00218ET3HHD145TC	\$2,025	86.5	CFW500B03P0T5DB66 ²	\$1,670		
	1800	230/460	00218ET3EHD56C	\$1,981	86.5	CFW500A07P3B2DB66G2	\$1,015	CFW500A04P3T4DB66G2	\$1,175
	1800	575	00218ET3HHD56C	\$1,995	86.5	CFW500B03P0T5DB66 ²	\$1,670		
	3	3600	230/460	00318ET3EHD143TC	\$2,300	86.5	CFW500A07P3B2DB66G2	\$1,015	CFW500A04P3T4DB66G2
3	3600	230/460	00336ET3EHD56C	\$2,290	86.5	CFW500A07P3B2DB66G2	\$1,015	CFW500A04P3T4DB66G2	\$1,175
3	3600	230/460	00336ET3EHD182TC	\$2,915	86.5	CFW500A10P0B2DB66G2	\$1,095	CFW500A04P3T4DB66G2	\$1,175
3	1800	230/460	00318ET3EHD182TC	\$2,875	89.5	CFW500A10P0B2DB66G2	\$1,095	CFW500A04P3T4DB66G2	\$1,175
5	3600	230/460	00536ET3EHD184TC	\$3,500	88.5	CFW500A16P0T2DB66G2	\$1,350	CFW500A06P5T4DB66G2	\$1,400
5	1800	230/460	00518ET3EHD184TC	\$3,305	89.5	CFW500A16P0T2DB66G2	\$1,350	CFW500A06P5T4DB66G2	\$1,400
7.5	3600	230/460	00736ET3EHD213TC	\$4,151	89.5	CFW500B24P0T2DB66G2	\$1,950	CFW500A10P0T4DB66G2	\$1,650
7.5	1800	230/460	00718ET3EHD213TC	\$4,280	91.7	CFW500B24P0T2DB66G2	\$1,950	CFW500A10P0T4DB66G2	\$1,650
10	3600	230/460	01036ET3EHD215TC	\$4,693	90.2	CFW500B24P0T2DB66G2	\$1,950	CFW500B14P0T4DB66G2	\$2,050
10	1800	230/460	01018ET3EHD215TC	\$4,968	91.7	CFW500B33P0T2DB66G2	\$2,675	CFW500B14P0T4DB66G2	\$2,050

Wash Down Duty

HydroDuty™ - Stainless Steel - TENV - C-Face - Foot Mount

HP	RPM	Voltage (V)	EZ Connect Model Number	Motor List Price	FL Eff. (%)	460V Drive ¹	Drive List Price	230V Drive ¹	Drive List Price
0.5	3600	230/460	.5036NT3EHD56C	\$1,435	79.0	CFW500A01P6B2DB66G2	\$775	CFW500A01P0T4DB66G2	\$950
	1800	230/460	.5018NT3EHD56C	\$1,455	80.0	CFW500A02P6B2DB66G2	\$800	CFW500A01P0T4DB66G2	\$950
0.75	3600	230/460	.7536NT3EHD56C	\$1,460	81.0	CFW500A02P6B2DB66G2	\$800	CFW500A01P6T4DB66G2	\$975
	1800	230/460	.7518NT3EHD56C	\$1,483	82.5	CFW500A02P6B2DB66G2	\$800	CFW500A01P6T4DB66G2	\$975
	1200	230/460	.7512NT3EHD56C	\$1,795	77.0	CFW500A04P3B2DB66G2	\$850	CFW500A02P6T4DB66G2	\$990
1	3600	575	00136NT3HHD56C	\$1,635	86.0	CFW500B01P7T5DB66 ²	\$1,590		
	3600	230/460	00136NT3EHD56C	\$1,630	85.0	CFW500A04P3B2DB66G2	\$850	CFW500A01P6T4DB66G2	\$975
	1800	230/460	00118NT3EHD143TC	\$1,615	85.5	CFW500A04P3B2DB66G2	\$850	CFW500A01P6T4DB66G2	\$975
	1800	230/460	00118NT3EHD56C	\$1,591	85.5	CFW500A04P3B2DB66G2	\$850	CFW500A01P6T4DB66G2	\$975
	1800	230/460	00118NT3EHD15TC	\$1,696	85.5	CFW500A04P3B2DB66G2	\$850	CFW500A01P6T4DB66G2	\$975
	1800	230/460	00118NT3EHD15TC	\$1,696	85.5	CFW500A04P3B2DB66G2	\$850	CFW500A01P6T4DB66G2	\$975
	1800	575	00118NT3HHD56C	\$1,610	85.5	CFW500B01P7T5DB66 ²	\$1,590		

Notes:

- 1) Drives selected to match motor FLA
- 2) 575V Drive

Please refer to inside back cover for description of "NOTES"

For detailed specifications, data sheets, drawings and performance curves visit <http://www.weg.net>

Drive Match



HydroDuty™ Motor and CFW500 Washdown Drive Quick Selection Guide

HydroDuty™ - Stainless Steel - TEFC - C-Face - Footless

HP	RPM	Voltage (V)	EZ Connect Model Number	Motor List Price	FL Eff.(%)	460V Drive ¹	Drive List Price	230V Drive ¹	Drive List Price
0.75	1800	230/460	.7518ET3EHD56CFL	\$1,526	75.5	CFW500A04P3B2DB66G2	\$850	CFW500A01P6T4DB66G2	\$975
	3600	230/460	00136ET3EHD56CFL	\$1,581	77.0	CFW500A04P3B2DB66G2	\$850	CFW500A01P6T4DB66G2	\$975
1	1800	230/460	00118ET3EHDR143TC	\$1,626	85.5	CFW500A04P3B2DB66G2	\$850	CFW500A01P6T4DB66G2	\$975
	1800	230/460	00118ET3EHD56CFL	\$1,601	85.5	CFW500A04P3B2DB66G2	\$850	CFW500A01P6T4DB66G2	\$975
1.5	1800	230/460	00158ET3EHDR145TC	\$1,688	86.5	CFW500A04P3B2DB66G2	\$850	CFW500A02P6T4DB66G2	\$990
	1800	230/460	00158ET3EHD56CFL	\$1,663	86.5	CFW500A04P3B2DB66G2	\$850	CFW500A02P6T4DB66G2	\$990
2	1800	230/460	00218ET3EHDR143TC	\$1,985	86.5	CFW500A07P3B2DB66G2	\$1,015	CFW500A04P3T4DB66G2	\$1,175
	1800	230/460	00218ET3EHD56CFL	\$1,962	86.5	CFW500A07P3B2DB66G2	\$1,015	CFW500A04P3T4DB66G2	\$1,175
3	1800	230/460	00318ET3EHDR184TC	\$2,805	89.5	CFW500A10P0B2DB66G2	\$1,095	CFW500A04P3T4DB66G2	\$1,175
5	1800	230/460	00518ET3EHDR184TC	\$3,295	89.5	CFW500A16P0T2DB66G2	\$1,350	CFW500A10P0T4DB66G2	\$1,650

Wash Down Duty

HydroDuty™ - Stainless Steel - TENV - C-Face - Footless

HP	RPM	Voltage (V)	EZ Connect Model Number	Motor List Price	FL Eff.(%)	460V Drive ¹	Drive List Price	230V Drive ¹	Drive List Price
0.5	1800	230/460	.5018NT3EHD56CFL	\$1,421	80.0	CFW500A02P6B2DB66G2	\$800	CFW500A01P0T4DB66G2	\$950
0.75	3600	230/460	.7536NT3EHD56CFL	\$1,443	81.0	CFW500A02P6B2DB66G2	\$800	CFW500A01P6T4DB66G2	\$975
	1800	230/460	.7518NT3EHD56CFL	\$1,465	82.5	CFW500A02P6B2DB66G2	\$800	CFW500A01P6T4DB66G2	\$975
1	1800	230/460	00118NT3EHD56CFL	\$1,572	85.5	CFW500A04P3B2DB66G2	\$850	CFW500A01P6T4DB66G2	\$975
	1800	230/460	00118NT3EHDR143TC	\$1,595	85.5	CFW500A04P3B2DB66G2	\$850	CFW500A01P6T4DB66G2	\$975
	1800	230/460	00118NT3EHDLT56CFL	\$1,676	85.5	CFW500A04P3B2DB66G2	\$850	CFW500A01P6T4DB66G2	\$975
	1800	230/460	00118NT3EHDR100L	\$1,891	85.5	CFW500A04P3B2DB66G2	\$850	CFW500A01P6T4DB66G2	\$975
	1200	230/460	00112ET3EHD56CFL	\$1,900	82.5	CFW500A04P3B2DB66G2	\$850	CFW500A02P6T4DB66G2	\$990

Notes:

1) Drives selected to match motor FLA

Encapsulated Wash Down Duty



THREE -PHASE

PickerPlus™ - White Epoxy - TEFC - C-Face - Foot Mount

HP	kW	RPM	Frame	Catalog Number	List Price	Mult. Symbol	Approx. Shipping Weight (lbs)	Service Factor	FL Amps @ High	FL Eff (%)	"C" Dimension (in)	Voltage (V)	Notes
3	2.2	1800	143/5TC	1311017192	\$1,736	S3	68	1.00	4.40	81.5	15.560	230/460	1;9
3	2.2	1800	100L	1311017196	\$1,852	S3	68	1.00	4.40	81.5	15.780	230/460	1;9



PickerPlus™ - White Epoxy - TEFC - C-Face - Footless

HP	kW	RPM	Frame	Catalog Number	List Price	Mult. Symbol	Approx. Shipping Weight (lbs)	Service Factor	FL Amps @ High	FL Eff (%)	"C" Dimension (in)	Voltage (V)	Notes
3	2.2	1800	100L-B14	1311017195	\$1,803	S3	66	1.00	4.40	81.5	15.780	230/460	1;9;20
3	2.2	1800	100L-B5	1311017191	\$1,820	S3	71	1.00	4.40	81.5	16.180	230/460	1;9;20

Wash Down Duty

Please refer to inside back cover for description of "NOTES"

For detailed specifications, data sheets, drawings and performance curves visit [http:// www.weg.net](http://www.weg.net)

Shark™



Find the Right Drive for your Shark™ Motor on page 149

Shark™-StainlessSteel-TEFC&TENV-C-Face-FootMount

HP	kW	RPM	Frame	CatalogNumber	List Price	Mult. Symbol	Approx. Shipping-Weight(lbs)	Enclosure	Service Factor	FLAmps@ High	FL.Eff(%)	"C" Dimension (in)	Voltage(V)	Notes
0.33	0.25	1800	56C	.3318NP3ESS56C	\$675	S1	29	TENV	1.15	0.53	79.8	11.250	230/460	17;21
		3600	56C	.3336NP3ESS56C	\$675	S1	25	TENV	1.15	0.54	71.0	10.236	230/460	21;17
0.50	0.37	3600	56C	.5036EP3ESS56C	\$618	S1	30	TENV	1.15	0.65	78.3	11.250	230/460	17;21
		1800	56C	.5018EP3ESS56C	\$696	S1	33	TENV	1.15	0.73	81.2	11.250	230/460	17;21
		1200	56C	.5012EP3ESS56C	\$760	S1	34	TENV	1.15	0.86	79.1	11.670	230/460	17;21
0.75	0.55	3600	56C	.7536EP3ESS56C	\$681	S1	30	TENV	1.15	1.02	81.9	11.250	230/460	17;21
		1800	56C	.7518EP3ESS56C	\$798	S1	34	TENV	1.15	1.06	81.3	11.250	230/460	17;21
		1200	56HC	.7512EP3ESS56C	\$868	S1	41	TENV	1.15	1.22	82.9	11.670	230/460	17;21
1	0.75	3600	56HC	00136T3ESS56C	\$836	S1	38	TEFC	1.15	1.45	77.0	14.000	230/460	21
		3600	56HC	00136NT3HSS56C	\$912	S1	34	TENV	1.15	1.16	77.0	11.772	575	21;17
		3600	56HC	00136NT3ESS56C	\$912	S1	39	TENV	1.15	1.45	77.0	11.940	230/460	17;21
		1800	56HC	00118T3ESS56C	\$994	S1	38	TEFC	1.15	1.46	85.5	14.000	230/460	21
		1800	56HC	00118NT3ESS56C	\$834	S1	38	TENV	1.15	1.46	85.5	11.940	230/460	17;21
		1800	56HC	00118NT3HSS56C	\$845	S1	34	TENV	1.15	1.17	85.5	11.772	575	21;17
		1800	143TC	00118T3ESS143TC	\$1,042	S1	38	TEFC	1.15	1.46	85.5	13.400	230/460	21
		1800	143TC	00118NT3ESS143TC	\$1,026	S1	38	TENV	1.15	1.46	85.5	11.210	230/460	17;21
		1200	56HC	00112T3ESS56C	\$1,070	S1	44	TEFC	1.15	1.67	82.5	14.016	230/460	21
		1200	143TC	00112T3ESS143TC	\$1,110	S1	45	TEFC	1.15	1.67	82.5	14.134	230/460	21
1.5	1.1	3600	56HC	00156T3ESS56C	\$1,023	S1	41	TEFC	1.15	1.99	84.0	14.000	230/460	21
		1800	56HC	00158T3ESS56C	\$1,041	S1	44	TEFC	1.15	2.06	86.5	14.000	230/460	21
		1800	145TC	00158T3ESS145TC	\$1,082	S1	43	TEFC	1.15	2.06	86.5	14.200	230/460	21
2	1.5	3600	56HC	00236T3ESS56C	\$1,146	S1	47	TEFC	1.15	2.55	85.5	14.000	230/460	21
		3600	145TC	00236T3ESS145TC	\$1,290	S1	45	TEFC	1.15	2.55	85.5	14.200	230/460	21
		3600	56HC	00236T3HSS56C	\$1,146	S1	45	TEFC	1.15	2.04	85.5	14.016	575	21
		1800	56HC	00218T3ESS56C	\$1,164	S1	51	TEFC	1.15	2.71	86.5	14.000	230/460	21
		1800	56C	00218T3HSS56C	\$1,164	S1	48	TEFC	1.15	2.16	86.5	14.016	575	21
		1800	145TC	00218T3ESS145TC	\$1,257	S1	52	TEFC	1.15	2.78	86.5	13.600	230/460	21
3	2.2	3600	182TC	00336T3ESS182TC	\$1,989	S1	100	TEFC	1.15	3.73	86.5	17.300	230/460	21
		3600	182TC	00336T3HSS182TC	\$1,989	S1	84	TEFC	1.15	2.99	86.5	17.244	575	21
		1800	182TC	00318T3HSS182TC	\$1,908	S1	86	TEFC	1.15	3.14	89.5	17.244	575	21
		1800	182TC	00318T3ESS182TC	\$1,908	S1	113	TEFC	1.15	3.92	89.5	17.100	230/460	21
5	3.7	3600	184TC	00536T3ESS184TC	\$2,298	S1	111	TEFC	1.15	6.01	88.5	17.900	230/460	21
		3600	184TC	00536T3HSS184TC	\$2,298	S1	92	TEFC	1.15	4.81	88.5	17.835	575	21
		1800	184TC	00518T3HSS184TC	\$2,230	S1	93	TEFC	1.15	5.23	89.5	17.835	575	21
		1800	184TC	00518T3ESS184TC	\$2,230	S1	120	TEFC	1.15	6.54	89.5	17.900	230/460	21
7.5	5.5	3600	213TC	00736T3ESS213TC	\$3,377	S1	158	TEFC	1.15	8.82	89.5	20.500	230/460	21
		3600	213TC	00736T3HSS213TC	\$3,377	S1	137	TEFC	1.15	7.05	89.5	20.276	575	21
		1800	213TC	00718T3HSS213TC	\$3,228	S1	148	TEFC	1.15	7.29	91.7	20.276	575	21
		1800	213TC	00718T3ESS213TC	\$3,228	S1	173	TEFC	1.15	9.12	91.7	20.500	230/460	21
10	7.5	3600	215TC	01036T3ESS215TC	\$3,625	S1	177	TEFC	1.15	11.5	90.2	22.000	230/460	21
		1800	215TC	01018T3ESS215TC	\$3,499	S1	208	TEFC	1.15	12.2	91.7	22.000	230/460	21
15	11	3600	254TC	01536T3ESS254TC	\$5,990	S1	238	TEFC	1.15	17.34	91	23.661	230/460	21
		1800	254TC	01518T3ESS254TC	\$5,980	S1	256	TEFC	1.15	18.31	92.4	23.661	230/460	21
20	15	3600	256TC	02036T3ESS256TC	\$6,550	S1	278	TEFC	1.15	22.87	91	25.236	230/460	21
		1800	256TC	02018T3ESS256TC	\$6,470	S1	300	TEFC	1.15	23.97	93	25.236	230/460	21
25	19	3600	284TSC	02536T3ESS284TC	\$7,950	S1	370	TEFC	1.15	28.68	91.7	25.315	230/460	21
		1800	284TC	02518T3ESS284TC	\$7,750	S1	390	TEFC	1.15	29.08	93.6	26.693	230/460	21
30	22	3600	286TSC	03036T3ESS286TC	\$8,310	S1	410	TEFC	1.15	34.42	91.7	26.299	230/460	21
		1800	286TC	03018T3ESS286TC	\$8,200	S1	417	TEFC	1.15	34.9	93.6	27.677	230/460	21

Wash Down Duty

Please refer to inside back cover for description of "NOTES"

For detailed specifications, data sheets, drawings and performance curves visit <http://www.weg.net>

Data subject to change without notice.

Can't find what you are looking for? Call 1-800-ASK-4WEG (275-4934)

General Purpose Wash Down Duty



THREE -PHASE

Shark™



Find the **Best Drive** for your **Shark™** Motor on page 150

Shark™ - Stainless Steel - TEFC & TENV - C-Face - Footless

HP	kW	RPM	Frame	Catalog Number	List Price	Mult. Symbol	Enclosure	Approx. Shipping Weight (lbs)	Service Factor	FL Amps @ High	FL. Eff (%)	"C" Dimension (in)	Voltage (V)	Notes
0.33	0.25	1800	56C	.3318EP3ESS56CFL	\$667	S1	TENV	28	1.15	0.53	79.8	11.250	230/460	17;20;21
		3600	56C	.5036EP3ESS56CFL	\$611	S1	TENV	29	1.15	0.65	78.3	11.250	230/460	17;20;21
0.50	0.37	1800	56C	.5018EP3ESS56CFL	\$689	S1	TENV	32	1.15	0.73	81.2	11.250	230/460	17;20;21
		1200	56C	.5012EP3ESS56CFL	\$752	S1	TENV	33	1.15	0.86	79.1	11.670	230/460	17;20;21
0.75	0.55	3600	56C	.7536EP3ESS56CFL	\$674	S1	TENV	29	1.15	1.02	81.9	11.250	230/460	17;20;21
		1800	56C	.7518EP3ESS56CFL	\$787	S1	TENV	33	1.15	1.06	81.3	11.250	230/460	17;20;21
		1200	56C	.7512EP3ESS56CFL	\$862	S1	TENV	40	1.15	1.22	82.9	11.670	230/460	17;20;21
1	0.75	3600	56HC	00136ET3ESS56CFL	\$827	S1	TEFC	37	1.15	1.45	77.0	14.000	230/460	20;21
		3600	56HC	00136NT3ESS56CFL	\$898	S1	TENV	38	1.15	1.45	77.0	11.940	230/460	17;20;21
		1800	56HC	00118ET3ESS56CFL	\$981	S1	TEFC	37	1.15	1.46	85.5	14.000	230/460	20;21
		1800	56HC	00118NT3ESS56CFL	\$824	S1	TENV	38	1.15	1.46	85.5	11.940	230/460	17;20;21
		1800	143TC	00118ET3ESS143TCFL	\$1,028	S1	TEFC	38	1.15	1.46	85.5	13.400	230/460	20;21
		1800	143TC	00118NT3ESS143TCFL	\$1,013	S1	TENV	38	1.15	1.46	85.5	11.210	230/460	17;20;21
1.5	1.1	3600	56HC	00156ET3ESS56CFL	\$1,017	S1	TEFC	40	1.15	1.99	84.0	14.000	230/460	20;21
		3600	143TC	00156ET3ESS143TCFL	\$1,117	S1	TEFC	41	1.15	1.99	84.0	13.400	230/460	20;21
		1800	56HC	00158ET3ESS56CFL	\$1,034	S1	TEFC	43	1.15	2.06	86.5	14.000	230/460	20;21
		1800	145TC	00158ET3ESS145TCFL	\$1,066	S1	TEFC	43	1.15	2.06	86.5	14.200	230/460	20;21
2	1.5	3600	56HC	00236ET3ESS56CFL	\$1,139	S1	TEFC	45	1.15	2.55	85.5	14.000	230/460	20;21
		3600	145TC	00236ET3ESS145TCFL	\$1,275	S1	TEFC	45	1.15	2.55	85.5	14.200	230/460	20;21
		1800	56HC	00218ET3ESS56CFL	\$1,154	S1	TEFC	49	1.15	2.71	86.5	14.000	230/460	20;21
		1800	145TC	00218ET3ESS145TCFL	\$1,198	S1	TEFC	52	1.15	2.78	86.5	13.600	230/460	20;21
3	2.2	3600	145TC	00336ET3ESS145TCFL	\$1,858	S1	TEFC	59	1.15	3.78	86.5	16.200	230/460	20;21
		3600	182TC	00336ET3ESS182TCFL	\$1,974	S1	TEFC	98	1.15	3.73	86.5	17.300	230/460	20;21
		1800	182TC	00318ET3ESS182TCFL	\$1,892	S1	TEFC	111	1.15	3.92	89.5	17.100	230/460	20;21
5	3.7	3600	184TC	00536ET3ESS184TCFL	\$2,282	S1	TEFC	109	1.15	6.01	88.5	17.900	230/460	20;21
		1800	184TC	00518ET3ESS184TCFL	\$2,215	S1	TEFC	118	1.15	6.54	89.5	17.900	230/460	20;21
7.5	5.5	3600	213TC	00736ET3ESS213TCFL	\$3,356	S1	TEFC	155	1.15	8.82	89.5	20.500	230/460	20;21
		1800	213TC	00718ET3ESS213TCFL	\$3,207	S1	TEFC	170	1.15	9.12	91.7	20.500	230/460	20;21
10	7.5	3600	215TC	01036ET3ESS215TCFL	\$3,604	S1	TEFC	174	1.15	11.5	90.2	22.000	230/460	20;21
		1800	215TC	01018ET3ESS215TCFL	\$3,477	S1	TEFC	205	1.15	12.2	91.7	22.000	230/460	20;21

Wash Down Duty



Please refer to inside back cover for description of "NOTES"

For detailed specifications, data sheets, drawings and performance curves visit <http://www.weg.net>

Shark™ Motor and CFW500 Washdown Drive Quick Selection Guide



Shark™ - Stainless Steel - TEFC & TENV - C-Face - Foot Mount

HP	RPM	Voltage (V)	Catalog Number	Motor List Price	Enclosure	460V Amps	230V Drive ¹	Drive List Price	460V Drive ¹	Drive List Price
0.33	1800	230/460	.3318EP3ESS56C	\$675	TENV	0.53	CFW500A01P6B2DB66G2	\$775	CFW500A01P0T4DB66G2	\$950
	3600	230/460	.5036EP3ESS56C	\$618	TENV	0.65	CFW500A01P6B2DB66G2	\$775	CFW500A01P0T4DB66G2	\$950
0.5	1800	230/460	.5018EP3ESS56C	\$696	TENV	0.73	CFW500A02P6B2DB66G2	\$800	CFW500A01P6T4DB66G2	\$975
		230/460	.5012EP3ESS56C	\$760	TENV	0.86	CFW500A02P6B2DB66G2	\$800	CFW500A01P6T4DB66G2	\$975
0.75	3600	230/460	.7536EP3ESS56C	\$681	TENV	1.02	CFW500A02P6B2DB66G2	\$800	CFW500A01P6T4DB66G2	\$975
	1800	230/460	.7518EP3ESS56C	\$798	TENV	1.06	CFW500A02P6B2DB66G2	\$800	CFW500A01P6T4DB66G2	\$975
		230/460	.7512EP3ESS56C	\$868	TENV	1.22	CFW500A04P3B2DB66G2	\$850	CFW500A01P6T4DB66G2	\$975
1	3600	230/460	00136ET3ESS56C	\$836	TEFC	1.45	CFW500A04P3B2DB66G2	\$850	CFW500A02P6T4DB66G2	\$990
	3600	230/460	00136NT3ESS56C	\$912	TENV	1.45	CFW500A04P3B2DB66G2	\$850	CFW500A02P6T4DB66G2	\$990
	1800	230/460	00118ET3ESS56C	\$994	TEFC	1.46	CFW500A04P3B2DB66G2	\$850	CFW500A02P6T4DB66G2	\$990
	1800	230/460	00118NT3ESS56C	\$834	TENV	1.46	CFW500A04P3B2DB66G2	\$850	CFW500A02P6T4DB66G2	\$990
	1800	230/460	00118ET3ESS143TC	\$1,042	TEFC	1.46	CFW500A04P3B2DB66G2	\$850	CFW500A02P6T4DB66G2	\$990
	1800	230/460	00118NT3ESS143TC	\$1,026	TENV	1.46	CFW500A04P3B2DB66G2	\$850	CFW500A02P6T4DB66G2	\$990
	1800	230/460	00118T3ESS143TC	\$1,026	TENV	1.46	CFW500A04P3B2DB66G2	\$850	CFW500A02P6T4DB66G2	\$990
1.5	3600	230/460	00156ET3ESS56C	\$1,023	TEFC	1.99	CFW500A07P3B2DB66G2	\$1,015	CFW500A02P6T4DB66G2	\$990
	1800	230/460	00158ET3ESS56C	\$1,041	TEFC	2.06	CFW500A07P3B2DB66G2	\$1,015	CFW500A02P6T4DB66G2	\$990
	1800	230/460	00158T3ESS145TC	\$1,082	TEFC	2.06	CFW500A07P3B2DB66G2	\$1,015	CFW500A02P6T4DB66G2	\$990
2	3600	230/460	00236ET3ESS56C	\$1,146	TEFC	2.55	CFW500A07P3B2DB66G2	\$1,015	CFW500A04P3T4DB66G2	\$1,175
	3600	230/460	00236T3ESS145TC	\$1,290	TEFC	2.55	CFW500A07P3B2DB66G2	\$1,015	CFW500A04P3T4DB66G2	\$1,175
	1800	230/460	00218ET3ESS56C	\$1,164	TEFC	2.71	CFW500A07P3B2DB66G2	\$1,015	CFW500A04P3T4DB66G2	\$1,175
	1800	230/460	00218T3ESS145TC	\$1,257	TEFC	2.78	CFW500A07P3B2DB66G2	\$1,015	CFW500A04P3T4DB66G2	\$1,175
3	3600	230/460	00336ET3ESS182TC	\$1,989	TEFC	3.73	CFW500A10P0B2DB66G2	\$1,095	CFW500A04P3T4DB66G2	\$1,175
	1800	230/460	00318ET3ESS182TC	\$1,908	TEFC	3.92	CFW500A10P0B2DB66G2	\$1,095	CFW500A06P5T4DB66G2	\$1,400
5	3600	230/460	00536ET3ESS184TC	\$2,298	TEFC	6.01	CFW500A16P0T2DB66G2	\$1,350	CFW500A10P0T4DB66G2	\$1,650
	1800	230/460	00518ET3ESS184TC	\$2,230	TEFC	6.54	CFW500A16P0T2DB66G2	\$1,350	CFW500A10P0T4DB66G2	\$1,650
7.5	3600	230/460	00736ET3ESS213TC	\$3,377	TEFC	8.82	CFW500B24P0T2DB66G2	\$1,950	CFW500B14P0T4DB66G2	\$2,050
	3600	230/460	00718ET3ESS213TC	\$3,228	TEFC	9.12	CFW500B24P0T2DB66G2	\$1,950	CFW500B14P0T4DB66G2	\$2,050
10	3600	230/460	01036ET3ESS215TC	\$3,625	TEFC	11.50	CFW500B28P0T2DB66G2	\$2,275	CFW500B14P0T4DB66G2	\$2,050
	1800	230/460	01018ET3ESS215TC	\$3,499	TEFC	12.20	CFW500B28P0T2DB66G2	\$2,275	CFW500B14P0T4DB66G2	\$2,050
15	3600	230/460	01536ET3ESS254TC	\$5,990	TEFC	17.34	CFW500C47P0T2DB66G2	\$3,750	CFW500B24P0T4DB66G2	\$3,025
	1800	230/460	01518ET3ESS254TC	\$5,980	TEFC	18.31	CFW500C47P0T2DB66G2	\$3,750	CFW500B24P0T4DB66G2	\$3,025
20	3600	230/460	02036ET3ESS256TC	\$6,550	TEFC	22.87	CFW500C47P0T2DB66G2	\$3,750	CFW500B24P0T4DB66G2	\$3,025
	1800	230/460	02018ET3ESS256TC	\$6,470	TEFC	23.97	CFW500C56P0T2DB66G2 ²	\$4,400	CFW500B24P0T4DB66G2	\$3,025
25	3600	230/460	02536ET3ESS284TC	\$7,950	TEFC	28.68	CFW500C56P0T2DB66G2 ²	\$4,400	CFW500B31P0T4DB66G2	\$3,650
	1800	230/460	02518ET3ESS284TC	\$7,750	TEFC	29.08	CFW500C56P0T2DB66G2 ²	\$4,400	CFW500B31P0T4DB66G2	\$3,650
30	3600	230/460	03036ET3ESS286TC	\$8,310	TEFC	34.42	CFW500C56P0T2DB66G2 ²	\$4,400	CFW500C39P0T4DB66G2	\$4,795
	1800	230/460	03018ET3ESS286TC	\$8,200	TEFC	34.90	CFW500C56P0T2DB66G2 ²	\$4,400	CFW500C39P0T4DB66G2	\$4,795

Wash Down Duty

Notes:

1. Drives selected to match motor FLA.
2. Drive selection is for normal duty (variable torque) applications.

Please refer to inside back cover for description of "NOTES"

For detailed specifications, data sheets, drawings and performance curves visit [http:// www.weg.net](http://www.weg.net)

Data subject to change without notice.

Can't find what you are looking for? Call 1-800-ASK-4WEG (275-4934)

THREE -PHASE

Shark™ Motor and CFW500 Washdown Drive Quick Selection Guide



Shark™ - Stainless Steel - TEFC & TENV - C-Face - Footless

Wash Down Duty

HP	RPM	Voltage (V)	Catalog Number	Enclosure	Motor List Price	460V Amps	230V Drive ¹	Drive List Price	460V Drive	Drive List Price
0.33	1800	230/460	.3318EP3ESS56CFL	TENV	\$667	0.53	CFW500A01P6B2DB66G2	\$775	CFW500A01P0T4DB66G2	\$950
	3600	230/460	.5036EP3ESS56CFL	TENV	\$611	0.65	CFW500A01P6B2DB66G2	\$775	CFW500A01P0T4DB66G2	\$950
0.5	1800	230/460	.5018EP3ESS56CFL	TENV	\$689	0.73	CFW500A02P6B2DB66G2	\$800	CFW500A01P0T4DB66G2	\$950
	1200	230/460	.5012EP3ESS56CFL	TENV	\$752	0.86	CFW500A02P6B2DB66G2	\$800	CFW500A01P0T4DB66G2	\$950
0.75	3600	230/460	.7536EP3ESS56CFL	TENV	\$674	1.02	CFW500A02P6B2DB66G2	\$800	CFW500A01P6T4DB66G2	\$975
	1800	230/460	.7518EP3ESS56CFL	TENV	\$787	1.06	CFW500A02P6B2DB66G2	\$800	CFW500A01P6T4DB66G2	\$975
1	1200	230/460	.7512EP3ESS56CFL	TENV	\$862	1.22	CFW500A04P3B2DB66G2	\$850	CFW500A01P6T4DB66G2	\$975
	3600	230/460	00136ET3ESS56CFL	TEFC	\$827	1.45	CFW500A04P3B2DB66G2	\$850	CFW500A02P6T4DB66G2	\$990
	3600	230/460	00136NT3ESS56CFL	TENV	\$898	1.45	CFW500A04P3B2DB66G2	\$850	CFW500A02P6T4DB66G2	\$990
	1800	230/460	00118ET3ESS56CFL	TEFC	\$981	1.46	CFW500A04P3B2DB66G2	\$850	CFW500A02P6T4DB66G2	\$990
	1800	230/460	00118NT3ESS56CFL	TENV	\$824	1.46	CFW500A04P3B2DB66G2	\$850	CFW500A02P6T4DB66G2	\$990
	1800	230/460	00118ET3ESS143TCFL	TEFC	\$1,028	1.46	CFW500A04P3B2DB66G2	\$850	CFW500A02P6T4DB66G2	\$990
1.5	1800	230/460	00118NT3ESS143TCFL	TENV	\$1,014	1.46	CFW500A04P3B2DB66G2	\$850	CFW500A02P6T4DB66G2	\$990
	3600	230/460	00156ET3ESS56CFL	TEFC	\$1,017	1.99	CFW500A07P3B2DB66G2	\$1,015	CFW500A02P6T4DB66G2	\$990
	3600	230/460	00156ET3ESS143TCFL	TEFC	\$1,117	1.99	CFW500A07P3B2DB66G2	\$1,015	CFW500A02P6T4DB66G2	\$990
	1800	230/460	00158ET3ESS56CFL	TEFC	\$1,034	2.06	CFW500A07P3B2DB66G2	\$1,015	CFW500A02P6T4DB66G2	\$990
2	1800	230/460	00158ET3ESS145TCFL	TEFC	\$1,066	2.06	CFW500A07P3B2DB66G2	\$1,015	CFW500A02P6T4DB66G2	\$990
	3600	230/460	00236ET3ESS56CFL	TEFC	\$1,139	2.55	CFW500A07P3B2DB66G2	\$1,015	CFW500A04P3T4DB66G2	\$1,175
	3600	230/460	00236ET3ESS145TCFL	TEFC	\$1,275	2.55	CFW500A07P3B2DB66G2	\$1,015	CFW500A04P3T4DB66G2	\$1,175
	1800	230/460	00218ET3ESS56CFL	TEFC	\$1,154	2.71	CFW500A07P3B2DB66G2	\$1,015	CFW500A04P3T4DB66G2	\$1,175
3	1800	230/460	00218ET3ESS145TCFL	TEFC	\$1,198	2.78	CFW500A07P3B2DB66G2	\$1,015	CFW500A04P3T4DB66G2	\$1,175
	3600	230/460	00336ET3ESS145TCFL	TEFC	\$1,858	3.78	CFW500A10P0B2DB66G2	\$1,095	CFW500A04P3T4DB66G2	\$1,175
	3600	230/460	00336ET3ESS182TCFL	TEFC	\$1,974	3.73	CFW500A10P0B2DB66G2	\$1,095	CFW500A04P3T4DB66G2	\$1,175
5	1800	230/460	00318ET3ESS182TCFL	TEFC	\$1,892	3.92	CFW500A10P0B2DB66G2	\$1,095	CFW500A06P5T4DB66G2	\$1,400
	3600	230/460	00536ET3ESS184TCFL	TEFC	\$2,282	6.01	CFW500A16P0T2DB66G2	\$1,350	CFW500A10P0T4DB66G2	\$1,650
7.5	1800	230/460	00518ET3ESS184TCFL	TEFC	\$2,215	6.54	CFW500A16P0T2DB66G2	\$1,350	CFW500A10P0T4DB66G2	\$1,650
	3600	230/460	00736ET3ESS213TCFL	TEFC	\$3,356	8.82	CFW500B24P0T2DB66G2	\$1,950	CFW500B14P0T4DB66G2	\$2,050
10	1800	230/460	00718ET3ESS213TCFL	TEFC	\$3,207	9.12	CFW500B24P0T2DB66G2	\$1,950	CFW500B14P0T4DB66G2	\$2,050
	3600	230/460	01036ET3ESS215TCFL	TEFC	\$3,604	11.50	CFW500B28P0T2DB66G2	\$2,275	CFW500B14P0T4DB66G2	\$2,050
	1800	230/460	01018ET3ESS215TCFL	TEFC	\$3,477	12.20	CFW500B28P0T2DB66G2	\$2,275	CFW500B14P0T4DB66G2	\$2,050

Notes:
1. Drives selected to match motor FLA.

Please refer to inside back cover for description of "NOTES"

For detailed specifications, data sheets, drawings and performance curves visit <http://www.weg.net>

HYDROWASH™

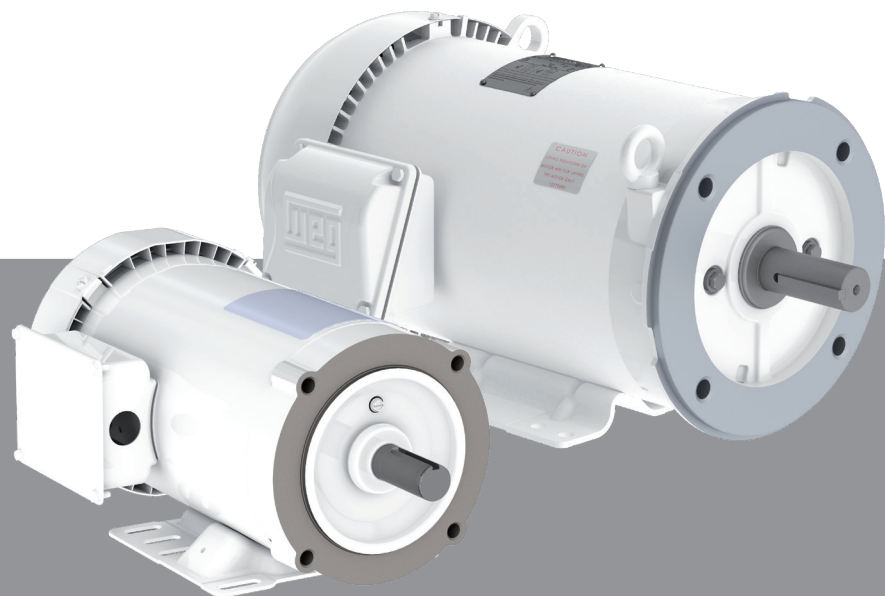
The Washdown line was designed to meet the requirements of industries where there is a constant need for hygiene and cleanliness of the environment through high pressure water jets and/or chemical products. Washdown motors are applied in food, beverage and pharmaceutical industries.

Standard Features

- Output: 1/2 up to 25 HP
- Frames: 56 up to 254/6T
- 1200 - 3600 rpm
- Certification CSA/UL
- Efficiency: NEMA Premium
- Service factor: 1.15
- Mounting: F-1
- Insulation class "F" (ΔT 80 K)
- Degree of protection: IP56
- Shaft material: Stainless Steel (AISI 304)
- Bearing type: Shielded (2RS)
- Permatex on joints
- Color: Porcelain White - Munsell N 9.5
- Internal painting
- Breather on non drive endshield
- Drive end bearing seal: Oil seal with stainless steel spring and 304 stainless steel high pressure external shaft slinger
- Non drive end bearing seal: Oil seal with stainless steel spring

Factory Options

- Other mountings (F2, F3)
- Voltage: 575 V with 6 leads
- Space heaters
- Thermal protection
- Cable glands
- Threaded center hole (shaft)
- SGR shaft grounding ring (Inverter use)
- Shaft material: Stainless Steel (AISI 316)
- Dripcover

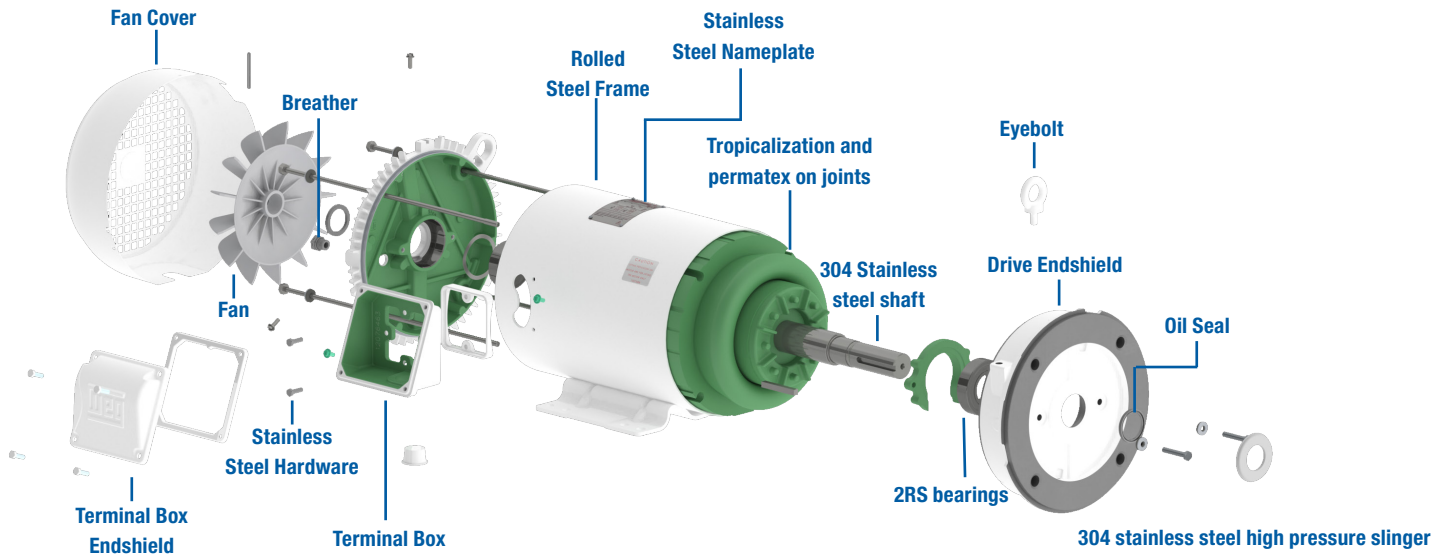


General Purpose Wash Down Duty



THREE -PHASE

Superior Products - Superior Parts



Wash Down Duty



HydroWash™



Find the Drive Match for your HydroWash™ Motor on page 157



C-Face Foot Mount

HP	RPM	Frame	Catalog Number	List Price	Multi.	Enclosure	Service Factor	Voltage (V)	FL Amps @ High	"C" Dimension	kVA Code	Appr. Ship. Wt (lbs)
0.5	3600	56C	.5036NT3EHW56C-S	\$560	S2	TENV	1.15	230/460	0.8	9.646	N	23
0.5	1800	56C	.5018NT3EHW56C-S	\$615	S2	TENV	1.15	230/460	1.0	10.433	P	28
0.75	3600	56C	.7536NT3EHW56C-S	\$630	S2	TENV	1.15	230/460	1.1	10.039	N	26
0.75	1800	56C	.7518NT3EHW56C-S	\$675	S2	TENV	1.15	230/460	1.3	10.827	N	31
0.75	1200	56C	.7512ET3EHW56C-S	\$725	S2	TEFC	1.15	230/460	1.3	13.113	K	36
1	3600	56C	00136NT3EHW56C-S	\$735	S2	TENV	1.15	230/460	1.4	10.682	N	32
1	3600	143/5TC	00136NT3EHW143TC-S	\$758	S2	TENV	1.15	230/460	1.4	11.541	N	32
1	1800	143/5TC	00118NT3EHW143TC-S	\$834	S2	TENV	1.15	230/460	1.5	11.541	M	38
1	1800	143/5TC	00118NT3HHW143TC-S	\$834	S2	TENV	1.15	575	1.2	11.541	M	38
1	1800	56C	00118NT3EHW56C-S	\$805	S2	TENV	1.15	230/460	1.5	11.614	M	38
1	1200	56C	00112NT3EHW56C-S	\$898	S2	TENV	1.15	230/460	1.8	12.008	L	42
1.5	3600	56C	00156NT3EHW56C-S	\$749	S2	TENV	1.15	230/460	1.9	11.863	M	39
	3600	143/5TC	00156NT3EHW145TC-S	\$768	S2	TENV	1.15	230/460	1.9	11.541	M	39
	1800	56C	00158ET3EHW56C-S	\$833	S2	TEFC	1.15	230/460	2.0	13.113	K	38
	1800	143/5TC	00158NT3EHW145TC-S	\$853	S2	TENV	1.15	230/460	1.5	11.541	L	42
	1800	143/5TC	00158NT3HHW145TC-S	\$853	S2	TENV	1.15	575	1.8	11.541	L	42
2	3600	143/5TC	00236ET3EHW145TC-S	\$870	S2	TEFC	1.15	230/460	2.7	13.976	K	43
	3600	56C	00236ET3EHW56C-S	\$850	S2	TEFC	1.15	230/460	2.5	13.113	L	40
	1800	143/5TC	00218ET3EHW145TC-S	\$950	S2	TEFC	1.15	230/460	2.7	13.976	K	43
	1800	56C	00218ET3EHW56C-S	\$944	S2	TEFC	1.15	230/460	2.7	13.906	K	42
	1800	143/5TC	00218ET3HHW145TC-S	\$950	S2	TEFC	1.15	575	2.2	13.976	K	42
	1200	182/4TC	00212ET3EHW184TC-S	\$1,410	S2	TEFC	1.15	230/460	3.0	17.126	K	91
3	3600	143/5TC	00336ET3EHW145TC-S	\$975	S2	TEFC	1.15	230/460	3.5	15.157	K	48
	3600	182/4TC	00336ET3EHW182TC-S	\$1,409	S2	TEFC	1.15	230/460	3.7	16.339	K	77
	1800	182/4TC	00318ET3EHW182TC-S	\$1,380	S2	TEFC	1.15	230/460	3.8	17.913	K	94
	1200	213/5TC	00312ET3EHW213TC-S	\$1,850	S2	TEFC	1.15	230/460	4.2	19.291	H	144
5	3600	182/4TC	00536ET3EHW184TC-S	\$1,700	S2	TEFC	1.15	230/460	5.9	17.913	J	92
	1800	182/4TC	00518ET3EHW184TC-S	\$1,728	S2	TEFC	1.15	230/460	6.5	17.913	J	88

Wash Down Duty

continued on next page

Please refer to inside back cover for description of "NOTES"

For detailed specifications, data sheets, drawings and performance curves visit [http:// www.weg.net](http://www.weg.net)

Data subject to change without notice.

General Purpose Wash Down Duty



THREE -PHASE

C-Face Foot Mount, *continued*

HP	RPM	Frame	Catalog Number	List Price	Multi.	Enclosure	Service Factor	Voltage (V)	FL Amps @ High	"C" Dimension	KVA Code	Appr. Ship. Wt (lbs)
7.5	3600	182/4TC	00736ET3EHW184TC-S	\$2,082	S2	TEFC	1.15	230/460	8.6	17.126	H	96
	3600	213/5TC	00736ET3EHW213TC-S	\$2,214	S2	TEFC	1.15	230/460	8.7	20.079	H	145
	1800	213/5TC	00718ET3EHW213TC-S	\$2,230	S2	TEFC	1.15	230/460	9.1	18.898	H	136
	1200	254/6TC	00712ET3EHW254TC-S	\$3,795	S2	TEFC	1.15	230/460	10.0	22.559	G	239
10	3600	213/5TC	01036ET3EHW215TC-S	\$2,650	S2	TEFC	1.15	230/460	11.5	21.654	H	175
	1800	213/5TC	01018ET3EHW215TC-S	\$2,568	S2	TEFC	1.15	230/460	12.2	19.291	H	147
	1200	254/6TC	01012ET3EHW256TC-S	\$4,345	S2	TEFC	1.15	230/460	13.8	23.346	G	269
15	3600	213/5TC	01536ET3EHW215TC-S	\$3,250	S2	TEFC	1.15	230/460	17.0	21.654	J	171
	3600	254/6TC	01536ET3EHW254TC-S	\$4,859	S2	TEFC	1.15	230/460	17.4	22.559	G	210
	1800	254/6TC	01518ET3EHW254TC-S	\$4,826	S2	TEFC	1.15	230/460	18.2	22.559	G	242
20	3600	254/6TC	02036ET3EHW256TC-S	\$5,772	S2	TEFC	1.15	230/460	22.7	23.346	G	248
	1800	254/6TC	02018ET3EHW256TC-S	\$5,830	S2	TEFC	1.15	230/460	24.7	23.346	H	271
25	3600	254/6TC	02536ET3EHW256TC-S	\$6,887	S2	TEFC	1.15	230/460	28.5	23.346	J	258

Wash Down Duty

Please refer to inside back cover for description of "NOTES"

For detailed specifications, data sheets, drawings and performance curves visit [http:// www.weg.net](http://www.weg.net)



General Purpose Wash Down Duty

THREE -PHASE

HydroWash™



Find the Drive Match for your HydroWash™ Motor on page 158

C-Face Footless

HP	RPM	Frame	Catalog Number	List Price	Multi.	Enclosure	Service Factor	Voltage (V)	FL Amps @ High	"C" Dimension	kVA Code	Appr. Ship. Wt (lbs)
0.5	1800	56C	.5018NT3EHW56CFL-S	\$608	S2	TENV	1.15	230/460	1.0	10.288	P	28
0.75	1800	56C	.7518NT3EHW56CFL-S	\$678	S2	TENV	1.15	230/460	1.3	10.682	N	31
1	1800	56C	00118NT3EHW56CFL-S	\$803	S2	TENV	1.15	230/460	1.5	11.469	M	38
	1800	143TC	00118NT3EHWR143TC-S	\$816	S2	TENV	1.15	230/460	1.5	11.614	M	38
1.5	1800	56C	00158ET3EHW56CFL-S	\$865	S2	TEFC	1.15	230/460	2.0	13.503	K	38
	1800	145TC	00158ET3EHWR145TC-S	\$888	S2	TEFC	1.15	230/460	1.1	13.582	K	38
2	1800	56C	00218ET3EHW56CFL-S	\$971	S2	TEFC	1.15	230/460	2.7	13.897	K	42
	1800	145TC	00218ET3EHWR145TC-S	\$978	S2	TEFC	1.15	230/460	2.7	13.976	K	42
3	3600	56C	00336NT3HHWR145TC-S	\$894	S2	TENV	1.15	575	3.2	13.438	R	43
	3600	56C	00336NT3EHWR145TC-S	\$894	S2	TENV	1.15	230/460	4.0	13.438	R	43
	1800	182/4TC	00318ET3EHWR182TC-S	\$1,259	S2	TEFC	1.15	230/460	3.81	17.913	K	94
5	3600	182/4TC	00536ET3EHWR182TC-S	\$1,600	S2	TEFC	1.15	230/460	5.90	17.913	J	92
	1800	182/4TC	00518ET3EHWR184TC-S	\$1,592	S2	TEFC	1.15	230/460	6.49	17.913	J	87
7.5	3600	213/5TC	00736ET3EHWR213TC-S	\$2,010	S2	TEFC	1.15	230/460	8.67	20.079	H	151
	1800	213/5TC	00718ET3EHWR213TC-S	\$2,011	S2	TEFC	1.15	230/460	9.07	18.898	H	137
10	3600	213/5TC	01036ET3EHWR215TC-S	\$2,442	S2	TEFC	1.15	230/460	11.50	21.654	H	180
	3600	213/5TC	01018ET3EHWR215TC-S	\$2,394	S2	TEFC	1.15	230/460	12.20	19.291	H	147
15	3600	213/5TC	01536ET3EHWR215TC-S	\$3,052	S2	TEFC	1.15	230/460	17.00	21.654	J	176

Wash Down Duty

Please refer to inside back cover for description of "NOTES"

For detailed specifications, data sheets, drawings and performance curves visit [http:// www.weg.net](http://www.weg.net)

Data subject to change without notice.

General Purpose Wash Down Duty



THREE -PHASE

HydroWash™



Rigid Base

HP	RPM	Frame	Catalog Number	List Price	Multi.	Enclosure	Service Factor	Voltage (V)	FL Amps @ High	"C" Dimension	kVA Code	Appr. Ship. Wt (lbs)
0.5	1800	56	.5018NT3EHW56-S	\$610	S2	TENV	1.15	230/460	0.986	10.291	P	28
	1800	56	.5018NT3HHW56-S	\$615	S2	TENV	1.15	575	0.789	10.291	P	28
0.75	1800	56	.7518NT3EHW56-S	\$668	S2	TENV	1.15	230/460	1.3	10.685	N	31
	1800	56	.7518NT3HHW56-S	\$670	S2	TENV	1.15	575	1.04	10.685	N	31
1	3600	143T	00136NT3EHW56-S	\$750	S2	TENV	1.15	230/460	1.42	10.788	N	32
	1800	56	00118NT3HHW56-S	\$796	S2	TENV	1.15	575	1.18	11.473	M	38
	1800	56	00118NT3EHW56-S	\$796	S2	TENV	1.15	230/460	1.47	11.473	M	38
	1200	145T	00112NT3EHW145T-S	\$918	S2	TEFC	1.15	230/460	1.58	13.976	J	39
1.5	3600	143T	00156NT3EHW143TC-S	\$749	S2	TENV	1.15	230/460	1.93	11.699	M	39
	1800	145T	00158NT3HHW145T-S	\$834	S2	TENV	1.15	575	1.82	11.574	L	42
	1800	145T	00158NT3EHW145T-S	\$834	S2	TENV	1.15	230/460	2.28	11.574	L	42
2	3600	145T	00236ET3EHW145T-S	\$836	S2	TENV	1.15	230/460	2.75	12.362	P	43
	1800	145T	00218ET3HHW145T-S	\$931	S2	TEFC	1.15	575	2.18	13.582	K	42
	1800	145T	00218ET3EHW145T-S	\$931	S2	TEFC	1.15	230/460	2.72	13.582	K	42
3	3600	182/4T	00336ET3EHW182T-S	\$1,340	S2	TEFC	1.15	230/460	3.7	16.339	K	67
	1800	182/4T	00318ET3EHW182T-S	\$1,315	S2	TEFC	1.15	230/460	3.8	17.913	K	89
5	3600	182/4T	00536ET3EHW184T-S	\$1,628	S2	TEFC	1.15	230/460	5.9	17.913	J	87
	1800	182/4T	00518ET3EHW184T-S	\$1,640	S2	TEFC	1.15	230/460	6.5	17.913	J	82
7.5	3600	182/4T	00736ET3EHW184T-S	\$1,978	S2	TEFC	1.15	230/460	8.6	17.126	H	91
	3600	213/5T	00736ET3EHW213T-S	\$2,040	S2	TEFC	1.15	230/460	8.7	20.079	H	145
	1800	213/5T	00718ET3EHW213T-S	\$2,046	S2	TEFC	1.15	230/460	9.1	18.898	H	133
10	1800	213/5T	01018ET3EHW215T-S	\$2,350	S2	TEFC	1.15	230/460	12.2	19.291	H	140
15	1800	254/6T	01518ET3EHW254T-S	\$4,602	S2	TEFC	1.15	230/460	18.2	22.559	G	236
20	1800	254/6T	02018ET3EHW256T-S	\$5,571	S2	TEFC	1.15	230/460	24.7	23.346	H	266

Wash Down Duty



Find the Drive Match for your HydroWash™ Motor on page 158

Please refer to inside back cover for description of "NOTES"

For detailed specifications, data sheets, drawings and performance curves visit <http://www.weg.net>



HydroWash™ Motor and CFW500 Washdown Drive Quick Selection Guide

Drive Match



HydroWash™ - White Epoxy - TEFC - C-Face - Foot Mount

HP	RPM	Volts	Catalog Number	Motor List Price	FL Amps @ high	230V Drive	Drive List Price	460V Drive	Drive List Price
0.5	1800	230/460	.5018NT3EHW56C*	\$644	0.80	CFW500A01P6B2DB66G2	\$775	CFW500A01P0T4DB66G2	\$950
0.75	1800	230/460	.7518NT3EHW56C*	\$720	1.20	CFW500A02P6B2DB66G2	\$800	CFW500A01P6T4DB66G2	\$975
1	1800	230/460	00118NT3EHW56C*	\$843	1.50	CFW500A04P3B2DB66G2	\$850	CFW500A01P6T4DB66G2	\$975
		230/460	00118NT3EHW143TC*	\$859	1.50	CFW500A04P3B2DB66G2	\$850	CFW500A01P6T4DB66G2	\$975
1.5	1800	230/460	00158ET3EHW56C	\$860	2.20	CFW500A07P3B2DB66G2	\$1,015	CFW500A02P6T4DB66G2	\$990
		230/460	00158ET3EHW145TC	\$880	2.20	CFW500A07P3B2DB66G2	\$1,015	CFW500A02P6T4DB66G2	\$990
2	1800	230/460	00218ET3EHW56C	\$1,035	2.80	CFW500A07P3B2DB66G2	\$1,015	CFW500A04P3T4DB66G2	\$1,175
		230/460	00218ET3EHW145TC	\$1,060	2.80	CFW500A07P3B2DB66G2	\$1,015	CFW500A04P3T4DB66G2	\$1,175
2	1200	230/460	00212ET3EHW184TC-S	\$1,410	3.0	CFW500A07P3B2DB66G2	\$1,015	CFW500A04P3T4DB66G2	\$1,175
3	3600	230/460	00336ET3EHW182TC-S	\$1,409	3.7	CFW500A10P0B2DB66G2	\$1,095	CFW500A04P3T4DB66G2	\$1,175
3	1800	230/460	00318ET3EHW182TC-S	\$1,380	3.8	CFW500A10P0B2DB66G2	\$1,095	CFW500A04P3T4DB66G2	\$1,175
3	1200	230/460	00312ET3EHW213TC-S	\$1,850	4.2	CFW500A10P0B2DB66G2	\$1,095	CFW500A04P3T4DB66G2	\$1,175
5	3600	230/460	00536ET3EHW184TC-S	\$1,700	5.9	CFW500A16P0T2DB66G2	\$1,350	CFW500A06P5T4DB66G2	\$1,400
5	1800	230/460	00518ET3EHW184TC-S	\$1,728	6.5	CFW500A16P0T2DB66G2	\$1,350	CFW500A06P5T4DB66G2	\$1,400
5	1200	230/460	00512ET3EHW215TC-S	\$2,185	6.7	CFW500A16P0T2DB66G2	\$1,350	CFW500A10P0T4DB66G2	\$1,650
7.5	3600	230/460	00736ET3EHW184TC-S	\$2,082	8.6	CFW500B24P0T2DB66G2	\$1,950	CFW500A10P0T4DB66G2	\$1,650
7.5	3600	230/460	00736ET3EHW213TC-S	\$2,214	8.7	CFW500B24P0T2DB66G2	\$1,950	CFW500A10P0T4DB66G2	\$1,650
7.5	1800	230/460	00718ET3EHW213TC-S	\$2,230	9.1	CFW500B24P0T2DB66G2	\$1,950	CFW500A10P0T4DB66G2	\$1,650
7.5	1200	230/460	00712ET3EHW254TC-S	\$3,795	10.0	CFW500B24P0T2DB66G2	\$1,950	CFW500A10P0T4DB66G2	\$1,650
10	3600	230/460	01036ET3EHW215TC-S	\$2,650	11.5	CFW500B24P0T2DB66G2	\$1,950	CFW500B14P0T4DB66G2	\$2,050
10	1800	230/460	01018ET3EHW215TC-S	\$2,568	12.2	CFW500B28P0T2DB66G2	\$2,275	CFW500B14P0T4DB66G2	\$2,050
10	1200	230/460	01012ET3EHW256TC-S	\$4,345	13.8	CFW500B28P0T2DB66G2	\$2,275	CFW500B14P0T4DB66G2	\$2,050
15	3600	230/460	01536ET3EHW215TC-S	\$3,250	17.0	-	-	CFW500B24P0T4DB66G2	\$3,025
15	3600	230/460	01536ET3EHW254TC-S	\$4,859	17.4	-	-	CFW500B24P0T4DB66G2	\$3,025
15	1800	230/460	01518ET3EHW254TC-S	\$4,826	18.2	-	-	CFW500B24P0T4DB66G2	\$3,025
20	3600	230/460	02036ET3EHW256TC-S	\$5,772	22.7	-	-	CFW500B24P0T4DB66G2	\$3,025
20	1800	230/460	02018ET3EHW256TC-S	\$5,830	24.7	-	-	CFW500B31P0T4DB66G2	\$3,650
25	3600	230/460	02536ET3EHW256TC-S	\$6,887	28.5	-	-	CFW500B31P0T4DB66G2	\$3,650

Wash Down Duty

* TENV

continued on next page

Please refer to inside back cover for description of "NOTES"

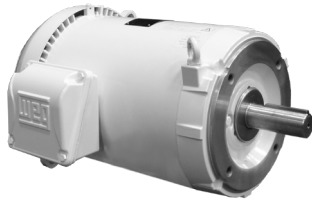
For detailed specifications, data sheets, drawings and performance curves visit [http:// www.weg.net](http://www.weg.net)

Data subject to change without notice.

General Purpose Wash Down Duty



THREE -PHASE



HydroWash™ - White Epoxy - TEFC - C-Face - Footless

HP	RPM	Volts	Catalog Number	Motor List Price	460V Amps	230V Drive	Drive List Price	460V Drive	Drive List Price
0.5	1800	230/460	.5018NT3EHW56CFL*	\$510	0.80	CFW500A01P6B2DB66G2	\$775	CFW500A01P0T4DB66G2	\$950
0.75	1800	230/460	.7518NT3EHW56CFL*	\$553	1.20	CFW500A02P6B2DB66G2	\$800	CFW500A01P6T4DB66G2	\$975
1	1800	230/460	00118NT3EHW56CFL*	\$599	1.50	CFW500A04P3B2DB66G2	\$850	CFW500A01P6T4DB66G2	\$975
		230/460	00118NT3EHW143TC*	\$628	1.50	CFW500A04P3B2DB66G2	\$850	CFW500A01P6T4DB66G2	\$975
1.5	1800	230/460	00158ET3EHW56CFL	\$830	2.20	CFW500A07P3B2DB66G2	\$1,015	CFW500A02P6T4DB66G2	\$990
		230/460	00158ET3EHW145TC	\$850	2.20	CFW500A07P3B2DB66G2	\$1,015	CFW500A02P6T4DB66G2	\$990
2	1800	230/460	00218ET3EHW56CFL	\$995	2.80	CFW500A07P3B2DB66G2	\$1,015	CFW500A04P3T4DB66G2	\$1,175
		230/460	00218ET3EHW145TC	\$1,020	2.80	CFW500A07P3B2DB66G2	\$1,015	CFW500A04P3T4DB66G2	\$1,175
3	1800	230/460	00318ET3EHW182TC-S	\$1,259	3.81	CFW500A10P0B2DB66G2	\$1,095	CFW500A04P3T4DB66G2	\$1,175
5	3600	230/460	00536ET3EHW182TC-S	\$1,600	5.90	CFW500A16P0T2DB66G2	\$1,350	CFW500A06P5T4DB66G2	\$1,400
5	1800	230/460	00518ET3EHW184TC-S	\$1,592	6.49	CFW500A16P0T2DB66G2	\$1,350	CFW500A06P5T4DB66G2	\$1,400
7.5	3600	230/460	00736ET3EHW213TC-S	\$2,010	8.67	CFW500B24P0T2DB66G2	\$1,950	CFW500A10P0T4DB66G2	\$1,650
7.5	1800	230/460	00718ET3EHW213TC-S	\$2,011	9.07	CFW500B24P0T2DB66G2	\$1,950	CFW500A10P0T4DB66G2	\$1,650
10	3600	230/460	01036ET3EHW215TC-S	\$2,442	11.50	CFW500B24P0T2DB66G2	\$1,950	CFW500B14P0T4DB66G2	\$2,050
10	1800	230/460	01018ET3EHW215TC-S	\$2,394	12.20	CFW500B28P0T2DB66G2	\$2,275	CFW500B14P0T4DB66G2	\$2,050
15	3600	230/460	01536ET3EHW215TC-S	\$3,052	17.00	-	-	CFW500B24P0T4DB66G2	\$3,025

*TENV



HydroWash™ - White Epoxy - TEFC - Rigid Base

HP	RPM	Volts	Catalog Number	Motor List Price	460V Amps	230V Drive	Drive List Price	460V Drive	Drive List Price
3	3600	230/460	00336ET3EHW182T-S	\$1,340	3.7	CFW500A10P0B2DB66G2	\$1,095	CFW500A04P3T4DB66G2	\$1,175
3	1800	230/460	00318ET3EHW182T-S	\$1,315	3.8	CFW500A10P0B2DB66G2	\$1,095	CFW500A04P3T4DB66G2	\$1,175
5	3600	230/460	00536ET3EHW184T-S	\$1,628	5.9	CFW500A16P0T2DB66G2	\$1,350	CFW500A06P5T4DB66G2	\$1,400
5	1800	230/460	00518ET3EHW184T-S	\$1,640	6.5	CFW500A16P0T2DB66G2	\$1,350	CFW500A06P5T4DB66G2	\$1,400
7.5	3600	230/460	00736ET3EHW184T-S	\$1,978	8.6	CFW500B24P0T2DB66G2	\$1,950	CFW500A10P0T4DB66G2	\$1,650
7.5	3600	230/460	00736ET3EHW213T-S	\$2,040	8.7	CFW500B24P0T2DB66G2	\$1,950	CFW500A10P0T4DB66G2	\$1,650
7.5	1800	230/460	00718ET3EHW213T-S	\$2,046	9.1	CFW500B24P0T2DB66G2	\$1,950	CFW500A10P0T4DB66G2	\$1,650
10	1800	230/460	01018ET3EHW215T-S	\$2,350	12.2	CFW500B28P0T2DB66G2	\$2,275	CFW500B14P0T4DB66G2	\$2,050
15	1800	230/460	01518ET3EHW254T-S	\$4,602	18.2	-	-	CFW500B24P0T4DB66G2	\$3,025
20	1800	230/460	02018ET3EHW256T-S	\$5,571	24.7	-	-	CFW500B31P0T4DB66G2	\$3,650

Please refer to inside back cover for description of "NOTES"

For detailed specifications, data sheets, drawings and performance curves visit <http://www.weg.net>

CFW500-G2 (GENERATION-2)

The CFW500 has advanced technology plug and play options, developed for fast commissioning, providing great flexibility and competitive advantage while offering excellent performance and reliability. Designed for exclusively industrial or professional use, perfect for OEM, system integrators, panel installers and End Users providing great benefit from the added value. With Generation-2 (G2), the CFW500 drives now offer more features in the same footprint as Generation-1 drives. The power range of CFW500-IP20-G2 drive is now extended to 75HP @ 230VAC and 175HP @ 460VAC. The CFW500-G2 drive also is also available in IP66/ NEMA4X Washdown enclosure which is rated for indoor and outdoor installation in direct sunlight.

Standard Features

- Same programming as other WEG VFDs including CFW500-Generation-1 drives.
- Built-in SoftPLC.
- Scalar, Vector Control (Sensorless and closed loop with encoder feedback) & VVW PM (suitable for fan, Pump and compressor).
- IP20 & NEMA1 (with NEMA1 kit) Enclosure.
- NEMA 4X (IP66) Washdown Enclosure with and without disconnect switch, suitable for indoor and outdoor use (in direct sunlight).
- 200-240V, 380-480V or 500-600 input voltage.
- Heavy Duty rated - 150% current overload capacity.
- 0 to 500 Hz output frequency.
- 2.5 to 15 kHz adjustable switching frequency (5 kHz standard)
- Built-in 24Vdc Power supply (max. 150 mA).
- Built-in RS-485 (Modbus RTU/BACnet) communication.
- Four isolated programmable digital inputs.
- One programmable relay output (1NO, 1NC, 240vac 0.5A).
- One programmable transistor output.
- One isolated programmable analog input (0-10V, 0/4-20mA).
- One isolated programmable analog output (0-10V, 0/4-20mA).
- Optional Safe Torque off Module.
- Pump Genius – Simplex, Multiplex (up to three pumps in parallel) like CFW11 Pump Genius.
- WLP and WPS compatible.



Wash Down Duty

For Indoor / Outdoor Use



Applications

- | | |
|--------------------|---------------------|
| • Pumps | • Commercial dryers |
| • Fans/ventilators | • Extruders |
| • Blowers | • General machinery |
| • Conveyors | • Agitators |
| • Rollout tables | • Any washdown |
| • Mixers/Blenders | (for NEMA4X/IP66) |

CFW500 - N4X/IP66 WASHDOWN VFD W/O DISCONNECT SWITCH

Motor Voltage	ND/VT ¹		HD/CT ¹		Catalog Number	Braking Transistor	Frame Size ⁴	Dimensions (in.) HxWxD	Approx. Weight (lbs.)	List Price	Multiplier New (Old)	
	Motor HP ²	Drive Amps ³	Motor HP ²	Drive Amps ³								
230 Vac / 3 Phase	Input Power Supply: Single or Three-Phase 200-240 Vac											
	1/3	1.6	1/3	1.6	CFW500A01P6B2DB66G2	Yes	A	10.4 x 6.5 x 8.9	22.0	\$775	V1W (V1)	
	3/4	2.6	3/4	2.6	CFW500A02P6B2DB66G2	Yes	A	10.4 x 6.5 x 8.9	22.0	\$800	V1W (V1)	
	1 1/2	4.3	1 1/2	4.3	CFW500A04P3B2DB66G2	Yes	A	10.4 x 6.5 x 8.9	22.0	\$850	V1W (V1)	
	2	7.3	2	7.3	CFW500A07P3B2DB66G2	Yes	A	10.4 x 6.5 x 8.9	22.0	\$1,015	V1W (V1)	
	3	10	3	10	CFW500A10P0B2DB66G2	Yes	A	10.4 x 6.5 x 8.9	22.0	\$1,095	V1W (V1)	
	Input Power Supply: Three-Phase 200-240 Vac											
	5	16	5	16	CFW500A16P0T2DB66G2	Yes	A	10.4 x 6.5 x 8.9	22.0	\$1,350	V1W (V1)	
	7 1/2	24	7 1/2	24	CFW500B24P0T2DB66G2	Yes	B	13.4 x 8.5 x 8.9	26.5	\$1,950	V1W (V1)	
	10	28	10	28	CFW500B28P0T2DB66G2	Yes	B	13.4 x 8.5 x 8.9	26.5	\$2,275	V1W (V1)	
	10	33	10	33	CFW500B33P0T2DB66G2	Yes	B	13.4 x 8.5 x 8.9	26.5	\$2,675	V1W (V1)	
	15	47	15	47	CFW500C47P0T2DB66G2 ⁵	Yes	C	18.7 x 12.6 x 11.4	45.0	\$3,750	V1W (V1)	
	25	70	20	56	CFW500C56P0T2DB66G2 ⁵	Yes	C	18.7 x 12.6 x 11.4	45.0	\$4,400	V1W (V1)	
	460 Vac / 3 Phase	Input Power Supply: Three-Phase 380-480 Vac										
1/2		1	1/2	1	CFW500A01P0T4DB66G2	Yes	A	10.4 x 6.5 x 8.9	22.0	\$950	V1W (V1)	
1		1.6	1	1.6	CFW500A01P6T4DB66G2	Yes	A	10.4 x 6.5 x 8.9	22.0	\$975	V1W (V1)	
1 1/2		2.6	1 1/2	2.6	CFW500A02P6T4DB66G2	Yes	A	10.4 x 6.5 x 8.9	22.0	\$990	V1W (V1)	
3		4.3	3	4.3	CFW500A04P3T4DB66G2	Yes	A	10.4 x 6.5 x 8.9	22.0	\$1,175	V1W (V1)	
5		6.5	5	6.5	CFW500A06P5T4DB66G2	Yes	A	10.4 x 6.5 x 8.9	22.0	\$1,400	V1W (V1)	
7 1/2		10	7 1/2	10	CFW500A10P0T4DB66G2	Yes	A	10.4 x 6.5 x 8.9	22.0	\$1,650	V1W (V1)	
10		14	10	14	CFW500B14P0T4DB66G2	Yes	B	13.4 x 8.5 x 8.9	26.5	\$2,050	V1W (V1)	
10		16	10	16	CFW500B16P0T4DB66G2	Yes	B	13.4 x 8.5 x 8.9	26.5	\$2,275	V1W (V1)	
15		24	15	24	CFW500B24P0T4DB66G2	Yes	B	13.4 x 8.5 x 8.9	26.5	\$3,025	V1W (V1)	
25		31	25	31	CFW500B31P0T4DB66G2	Yes	B	13.4 x 8.5 x 8.9	26.5	\$3,650	V1W (V1)	
30		45	30	39	CFW500C39P0T4DB66G2 ⁵	Yes	C	18.7 x 12.6 x 11.4	45.0	\$4,795	V1W (V1)	
50	59.2	40	49	CFW500C49P0T4DB66G2 ⁵	Yes	C	18.7 x 12.6 x 11.4	45.0	\$6,100	V1W (V1)		
575 Vac / 3 Phase ⁶	Input Power Supply: Three-Phase 500-600 Vac											
	1 1/2	1.7	1 1/2	1.7	CFW500B01P7T5DB66	Yes	B	13.4 x 8.5 x 8.9	26.5	\$1,590	V1W (V1)	
	3	3	3	3	CFW500B03P0T5DB66	Yes	B	13.4 x 8.5 x 8.9	26.5	\$1,670	V1W (V1)	
	3	4.3	3	4.3	CFW500B04P3T5DB66	Yes	B	13.4 x 8.5 x 8.9	26.5	\$1,890	V1W (V1)	
	7 1/2	7	7 1/2	7	CFW500B07P0T5DB66	Yes	B	13.4 x 8.5 x 8.9	26.5	\$2,115	V1W (V1)	
	10	10	10	10	CFW500B10P0T5DB66	Yes	B	13.4 x 8.5 x 8.9	26.5	\$2,330	V1W (V1)	
	10	12	10	12	CFW500B12P0T5DB66	Yes	B	13.4 x 8.5 x 8.9	26.5	\$2,615	V1W (V1)	

NOTES:

1. ND (Normal Duty) / VT (Variable Torque): 110% Overload / 60 Sec;
HD (Heavy Duty) / CT (Constant Torque): 150% Overload / 60 Sec;
2. "HP" rating based on WEG W22 motors "average FLA values". Use as a guide only.
3. Motor FLA may vary with speed and manufacturer. ALWAYS compare motor FLA to Nominal AMPS of drive.
4. Frame Size A, B & C are rated for 40°C ambient temperature.
5. Available in 3Q of 2024.
6. All 575V drives are non-stocked items and are still Generation-1 drives, consult WEG for availability.

Please refer to back cover for description of "NOTES"

For detailed specifications, data sheets, drawings and performance curves visit <http://www.weg.net>



CFW500 - N4X/IP66 WASHDOWN VFD WITH DISCONNECT SWITCH

Motor Voltage	ND/VT ¹		HD/CT ¹		Catalog Number	Braking Transistor	Frame Size ⁴	Dimensions (in.) HxWxD	Approx. Weight (lbs.)	List Price	Multiplier New (Old)	
	Motor HP ²	Drive Amps ³	Motor HP ²	Drive Amps ³								
230 Vac / 3 Phase	Input Power Supply: Single or Three-Phase 200-240 Vac											
	1/3	1.6	1/3	1.6	CFW500A01P6B2DB66DSG2	Yes	A	10.4 x 6.5 x 9.9	22.0	\$895	V1W (V1)	
	3/4	2.6	3/4	2.6	CFW500A02P6B2DB66DSG2	Yes	A	10.4 x 6.5 x 9.9	22.0	\$920	V1W (V1)	
	1 1/2	4.3	1 1/2	4.3	CFW500A04P3B2DB66DSG2	Yes	A	10.4 x 6.5 x 9.9	22.0	\$980	V1W (V1)	
	2	7.3	2	7.3	CFW500A07P3B2DB66DSG2	Yes	A	10.4 x 6.5 x 9.9	22.0	\$1,170	V1W (V1)	
	3	10	3	10	CFW500A10P0B2DB66DSG2	Yes	A	10.4 x 6.5 x 9.9	22.0	\$1,255	V1W (V1)	
	Input Power Supply: Three-Phase 200-240 Vac											
	5	16	5	16	CFW500A16P0T2DB66DSG2	Yes	A	10.4 x 6.5 x 9.9	22.0	\$1,555	V1W (V1)	
	7 1/2	24	7 1/2	24	CFW500B24P0T2DB66DSG2	Yes	B	13.4 x 8.5 x 9.9	26.5	\$2,245	V1W (V1)	
	10	28	10	28	CFW500B28P0T2DB66DSG2	Yes	B	13.4 x 8.5 x 9.9	26.5	\$2,620	V1W (V1)	
	10	33	10	33	CFW500B33P0T2DB66DSG2	Yes	B	13.4 x 8.5 x 9.9	26.5	\$3,080	V1W (V1)	
	15	47	15	47	CFW500C47P0T2DB66DSG2 ⁵	Yes	C	18.7 x 12.6 x 12.4	45.0	\$4,313	V1W (V1)	
	25	70	20	56	CFW500C56P0T2DB66DSG2 ⁵	Yes	C	18.7 x 12.6 x 12.4	45.0	\$5,060	V1W (V1)	
	460 Vac / 3 Phase	Input Power Supply: Three-Phase 380-480 Vac										
1/2		1	1/2	1	CFW500A01P0T4DB66DSG2	Yes	A	10.4 x 6.5 x 9.9	22.0	\$1,095	V1W (V1)	
1		1.6	1	1.6	CFW500A01P6T4DB66DSG2	Yes	A	10.4 x 6.5 x 9.9	22.0	\$1,125	V1W (V1)	
1 1/2		2.6	1 1/2	2.6	CFW500A02P6T4DB66DSG2	Yes	A	10.4 x 6.5 x 9.9	22.0	\$1,140	V1W (V1)	
3		4.3	3	4.3	CFW500A04P3T4DB66DSG2	Yes	A	10.4 x 6.5 x 9.9	22.0	\$1,350	V1W (V1)	
5		6.5	5	6.5	CFW500A06P5T4DB66DSG2	Yes	A	10.4 x 6.5 x 9.9	22.0	\$1,610	V1W (V1)	
7 1/2		10	7 1/2	10	CFW500A10P0T4DB66DSG2	Yes	A	10.4 x 6.5 x 9.9	22.0	\$1,900	V1W (V1)	
10		14	10	14	CFW500B14P0T4DB66DSG2	Yes	B	13.4 x 8.5 x 9.9	26.5	\$2,360	V1W (V1)	
10		16	10	16	CFW500B16P0T4DB66DSG2	Yes	B	13.4 x 8.5 x 9.9	26.5	\$2,620	V1W (V1)	
15		24	15	24	CFW500B24P0T4DB66DSG2	Yes	B	13.4 x 8.5 x 9.9	26.5	\$3,480	V1W (V1)	
25		31	25	31	CFW500B31P0T4DB66DSG2	Yes	B	13.4 x 8.5 x 9.9	26.5	\$4,200	V1W (V1)	
30		45	30	39	CFW500C39P0T4DB66DSG2 ⁵	Yes	C	18.7 x 12.6 x 12.4	45.0	\$5,514	V1W (V1)	
50	59.2	40	49	CFW500C49P0T4DB66DSG2 ⁵	Yes	C	18.7 x 12.6 x 12.4	45.0	\$7,015	V1W (V1)		
575 Vac / 3 Phase ⁶	Input Power Supply: Three-Phase 500-600 Vac											
	1 1/2	1.7	1 1/2	1.7	CFW500B01P7T5DB66DS	Yes	B	13.4 x 8.5 x 9.9	26.5	\$1,830	V1W (V1)	
	3	3	3	3	CFW500B03P0T5DB66DS	Yes	B	13.4 x 8.5 x 9.9	26.5	\$1,925	V1W (V1)	
	3	4.3	3	4.3	CFW500B04P3T5DB66DS	Yes	B	13.4 x 8.5 x 9.9	26.5	\$2,175	V1W (V1)	
	7 1/2	7	7 1/2	7	CFW500B07P0T5DB66DS	Yes	B	13.4 x 8.5 x 9.9	26.5	\$2,435	V1W (V1)	
	10	10	10	10	CFW500B10P0T5DB66DS	Yes	B	13.4 x 8.5 x 9.9	26.5	\$2,680	V1W (V1)	
	10	12	10	12	CFW500B12P0T5DB66DS	Yes	B	13.4 x 8.5 x 9.9	26.5	\$3,005	V1W (V1)	

Wash Down Duty

NOTES:

1. ND (Normal Duty) / VT (Variable Torque): 110% Overload / 60 Sec; HD (Heavy Duty) / CT (Constant Torque): 150% Overload / 60 Sec;
2. "HP" rating based on WEG W22 motors "average FLA values". Use as a guide only.
3. Motor FLA may vary with speed and manufacturer. ALWAYS compare motor FLA to Nominal AMPS of drive.
4. Frame Size A, B & C are rated for 40°C ambient temperature.
5. Available in 3Q of 2024.
6. All 575V drives are non-stocked items and are still Generation-1 drives, consult WEG for availability.

Options and Accessories

Type	CATALOG NUMBER	Description	Apprx. Shpg. Wt. (lbs.)	List Price	Multiplier New (Old)
I/O	CFW500-IOS¹	CFW500 I/O Module; 4 DI, 1 AI, 1 AO, 1 DOR, 1 DOT, 1 RS485, 10vdc, 24vdc	0.2	\$110	V1G (V1)
I/O	CFW500-IOD	CFW500 I/O Module; 8 DI, 1 AI, 1 AO, 1 DOR, 4 DOT, 1 RS485, 10vdc, 24vdc	0.2	\$141	V1G (V1)
I/O	CFW500-IOAD	CFW500 I/O Module; 6 DI, 3 AI, 2 AO, 1 DOR, 3 DOT, 1 RS485, 10vdc, 24vdc	0.2	\$182	V1G (V1)
I/O	CFW500-IOR-B	CFW500 I/O Module; 5 DI, 1 AI, 1 AO, 4 DOR, 1 DOT, 1 RS485, 10vdc, 24vdc	0.2	\$125	V1G (V1)
Encoder Input	CFW500-ENC	CFW500 Encoder Module; Quad Input A & B, 1 RS485, 5 DI, 1 AI, 1 AO, 3 DOR, 1 DOT, 24vdc	0.2	\$210	V1G (V1)
USB Card	CFW500-CUSB	CFW500 Comm. Module; 1 USB, 1 RS485, 4 DI, 1 AI, 1 AO, 1 DOR, 1 DOT, 10vdc, 24vdc	0.2	\$210	V1G (V1)
RS232 Card	CFW500-CRS232	CFW500 Comm. Module; 1 RS232, 1 RS485, 4 DI, 1 AI, 1 AO, 1 DOR, 1 DOT, 24vdc	0.2	\$138	V1G (V1)
RS485 Card	CFW500-CRS485-B	CFW500 Comm. Module; 2 RS485, 4 DI, 2 AI, 1 AO, 2 DOR, 1 DOT, 10vdc, 24vdc	0.2	\$143	V1G (V1)
CANopen Card	CFW500-CCAN	CFW500 Comm. Module; 1 CAN/DeviceNet, 1 RS485, 2 DI, 1 AI, 1 AO, 1 DOR, 1 DOT, 10vdc, 24vdc	0.2	\$138	V1G (V1)
Profibus DP Card	CFW500-CPDP	CFW500 Comm. Module; 2 DI, 1 AI, 1 AO, 1 DOR, 1 DOT, 1 Profibus DP, 1 RS485, 24vdc (DB9 connector)	0.2	\$405	V1G (V1)
Profibus DP & DP-V1 Module	CFW500-CPDP2	CFW500 Comm. Module; 1-Profibus DP & DP-V1 100BASE TX RJ-45 Port, 1-RS485, 2-DI, 1-AI, 1-AO, 1-DOR, 1-DOT, 24vdc (Terminal Block Connector)	0.2	\$445	V1G (V1)
Modbus TCP Comm. Module	CFW500-CEMB-TCP	CFW500 Comm. Module; 1-Modbus TCP 100BASE TX RJ-45 Port, 1-RS485, 2-DI, 1-AI, 1-AO, 1-DOR, 1-DOT, 24vdc	0.2	\$499	V1G (V1)
ProfiNet I/O Comm. Module	CFW500-CEPN-IO	CFW500 Comm. Module; 1-ProfiNet I/O 100BASE TX RJ-45 Port, 1-RS485, 2-DI, 1-AI, 1-AO, 1-DOR, 1-DOT, 24vdc	0.2	\$499	V1G (V1)
EtherNet IP Comm. Module	CFW500-CETH-IP	CFW500 Comm. Module; 2-DI, 1-AI, 1-AO, 1-DOR, 1-DOT, 1-RS485, 1-EtherNet IP 100BASE TX RJ-45 Port, 24vdc	0.2	\$499	V1G (V1)
Dual Port Ethernet Module (Ethernet/IP or Modbus TCP)	CFW500-CETH2	CFW500 Dual Port Comm. Module: 2-DI, 1-AI, 1-DOT, 1-RS485, 2-EtherNet 100BASE TX RJ-45 Ports. Note: The module will require external 24vdc power to use 1-DOT. The CFW500-G2 drive must have FM V3.9x or above to use this module.	0.3	\$575	V1G (V1)
STO Module	CFW500-SFY2²	CFW500 Safety Function Module; Safe Torque Off (STO) / Stop Category 0, Safe Stop 1 Time Controlled (SS1-t) / Stop Category 1; Safety Category: SIL 3, PL e	1.8	\$140	V1G (V1)
STO Module Plug	CFW50X-STO-JMP	CFW50x STO module plug	0.2	\$12	PTD
Flash Memory Module	CFW500-MMF	CFW500 Flash Memory Module for saving and reloading program and parameters to / from the drive.	0.2	\$189	V1G (V1)
Remote Keypad - Non Text	CFW500-HMIR³	CFW500 Remote non-text Keypad for mounting through enclosure door (Mounting Frame Kit is not required).	0.6	\$169	V1G (V1)
Remote Keypad - Advanced Text	HMI-01⁴	CFW500 Remote Advanced Text Keypad for mounting through enclosure door (Mounting Frame Kit is required).	0.4	\$205	V1G (V1)
Remote Keypad - Advanced Text Frame Kit	CFW500-RHMIF	CFW500 Remote Advanced Text Keypad enclosure door mounting frame kit	0.5	\$25	V1G (V1)
HMI Cable 1M	CFW500-CCHMIR01M	3.3 ft (1 meter) Remote Keypad Cable	0.5	\$23	V1G (V1)
HMI Cable 2M	CFW500-CCHMIR02M	6.6 ft (2 meter) Remote Keypad Cable	0.7	\$31	V1G (V1)
HMI Cable 3M	CFW500-CCHMIR03M	9.9 ft (3 meter) Remote Keypad Cable	1.0	\$41	V1G (V1)
HMI Cable 5M	CFW500-CCHMIR05M	16 ft (5 meter) Remote Keypad Cable	1.2	\$51	V1G (V1)
HMI Cable 7.5M	CFW500-CCHMIR075M	25 ft (7.5 meter) Remote Keypad Cable	1.5	\$61	V1G (V1)
HMI Cable 10M	CFW500-CCHMIR010M	33 ft (10 meter) Remote Keypad Cable	2.0	\$72	V1G (V1)
NEMA1 Conduit Kit	CFW500-KN1A	NEMA 1 kit – Frame Size A	2.0	\$28	V1G (V1)
NEMA1 Conduit Kit	CFW500-KN1B	NEMA 1 kit – Frame Size B	3.0	\$33	V1G (V1)
NEMA1 Conduit Kit	CFW500-KN1C	NEMA 1 kit – Frame Size C	3.0	\$44	V1G (V1)
NEMA1 Conduit Kit	CFW500-KN1D	NEMA 1 kit – Frame Size D	3.0	\$59	V1G (V1)
NEMA1 Conduit Kit	CFW500-KN1E	NEMA 1 kit – Frame Size E	6.0	\$64	V1G (V1)
NEMA1 Conduit Kit	CFW500-KN1F	NEMA 1 kit – Frame Size F	12.0	\$165	V1G (V1)
NEMA1 Conduit Kit	CFW500-KN1G	NEMA 1 kit – Frame Size G	17.0	\$215	V1G (V1)
Cable Shield Clamp Kit	CFW500-KPCSA	Cable Shield Clamp Kit for Frame A	1.0	\$41	V1G (V1)
Cable Shield Clamp Kit	CFW500-KPCSB	Cable Shield Clamp Kit for Frame B	1.0	\$44	V1G (V1)
Cable Shield Clamp Kit	CFW500-KPCSC	Cable Shield Clamp Kit for Frame C	1.1	\$46	V1G (V1)
Cable Shield Clamp Kit	CFW500-KPCSD	Cable Shield Clamp Kit for Frame D	1.1	\$51	V1G (V1)
Cable Shield Clamp Kit	CFW500-KPCSE	Cable Shield Clamp Kit for Frame E	6.0	\$64	V1G (V1)
Cable Shield Clamp Kit	CFW500-KPCSF	Cable Shield Clamp Kit for Frame F	15.0	\$140	V1G (V1)
Cable Shield Clamp Kit	CFW500-KPCSG	Cable Shield Clamp Kit for Frame G	18.0	\$180	V1G (V1)
CFW500 Demo Suitcase	CFW500-DEMO-BLK	CFW500 Black Demo Suitcase with Remote Text keypad and STO Module	45.0	\$5,585	V1G (V1)

Notes:

- The "CFW500-IOS" module is included as standard with CFW500-IP20 & IP66 Drives.
- The "CFW500-SFY2" Module can be installed in the CFW500-IP20 & IP66 drives in addition to the "CFW500-IOS" or any other I/O or communication module. The "CFW500-SFY2" module only works with 230V & 460VAC, CFW500-G2 (Generation-2) drives. For CFW500-IP20, Frame-A to E VFDs, the NEMA1 Kit top cover to protect the VFD from falling dust can not be used if the "CFW500-SFY2" is installed on the drive.
- The "CFW500-HMIR" Remote Keypad (Non-Text) requires Qty. (1) CFW500-CCHIR0xM cable. ("x" represents the cable length in meters)
- The "HMI-01" remote Keypad (Advanced Text) requires Qty. (1) CFW500-RHMIF & Qty. (1) CFW500-CCHIR0xM cable. ("x" represents the cable length in meters). This keypad only works with 230VAC & 460VAC, CFW500-G2 (Generation-2) drives.

Please refer to back cover for description of "NOTES"

For detailed specifications, data sheets, drawings and performance curves visit <http://www.weg.net>

CFW500-N4X/IP66 Technical Data

Technical Data

Power rating	Power supply	Tolerance: -15 to +10%	
		Frequency: 50/60 Hz (48 Hz to 62 Hz)	
		Phase imbalance: ≤3% of the rated phase-phase input voltage	
		Transient voltages and overvoltages according to Category III (EN 61010/UL 508C)	
		Maximum of 10 (line) connections per hour (1 every 6 minutes)	
Control	Method	V/F (scalar) VW: voltage vector control Vector without encoder (sensorless) and closed loop vector with encoder PM VW: voltage vector control for permanent magnet motors	
		Output frequency	0 to 500 Hz, resolution of 0.015 Hz
Performance	V/F Control	Speed regulation: 1% of the rated speed (with slip compensation) Speed variation range: 1:20	
	Vector control (VWV)	Speed regulation: 1% of the rated speed Speed variation range: 1:30	
	Sensorless	Speed regulation: 0.5% of the rated speed Speed variation range: 1:100	
	Vector control with Encoder	Speed regulation: 0.1% of the rated speed Speed variation range: 1:100	
	PM VWV Control	Regulation: 0.1 % of the rated speed Speed variation range: 1:20	
Environment conditions	Temperature around the CFW500	14°F to 122°F (-10 °C to 50 °C) - IP20 (sizes A to E) 14°F to 104°F (-10 °C to 40 °C) - IP20 (sizes A to E) when installed side by side 14°F to 104°F (-10 °C to 40 °C) - NEMA 1 (sizes A to E) 14°F to 104°F (-10 °C to 40 °C) - IP20, NEMA 1 (size F) 14°F to 113°F (-10 °C to 45 °C) - IP20, NEMA 1 (size G) 14°F to 104°F (-10 °C to 40 °C) - IP66 (sizes A & B) For CFW500-IP20-Frame A to E & CFW500-IP66-Frame A & B, when operating temperatures are above the specification, it is necessary to apply 2% of current derating for each Celsius degree (°C), limited to an increase of 10 °C. For CFW500-IP20-Frame F & G, when operating temperatures are above the specification, it is necessary to apply 1% of current derating for each Celsius degree (°C) up to 50 °C, and 2% up to 60 °C (maximum).	
		Aggressive environments	Protection Class 3C2 - Standard coating on the internal circuits, according to IEC 60721-3-3 (standard model) Protection Class 3C3 - Extra coating - optional, according to IEC 60721-3-3 (optional)
		Air relative humidity	5% to 95% non-condensing
		Altitude	Up to 1,000 m (maximum altitude under normal conditions) 1,000 to 4,000 m: current derating of 1% for each 100 m above 1,000 m of altitude
		Pollution degree	2 (EN 50178 and UL 508C), with non-conductive pollution Condensation must not cause conduction of the accumulated residues
Inputs¹⁾	Analog	1 isolated input. Levels: (0 to 10) V or (0 to 20) mA or (4 to 20) mA Linearity error ≤0.25% Impedance: 100 kΩ for voltage input, 500 Ω for current input Programmable functions, including PTC input Maximum voltage accepted in the inputs: 30 V dc	
	Digital	4 isolated inputs Programmable functions: Active high (PNP): maximum low level of 15 V dc; minimum high level of 20 V dc Active low (NPN): maximum low level of 5 V dc; minimum high level of 9 V dc Maximum input voltage of 30 V dc Input current: 4.5 mA Maximum input current: 5.5 mA	
Outputs¹⁾	Analog	1 isolated output. Levels (0 to 10) V or (0 to 20) mA or (4 to 20) mA Linearity error ≤0.25% Programmable functions RL ≥10 kΩ (0 to 10 V) or RL ≤500 Ω (0 to 20 mA / 4 to 20 mA)	
	Relay	1 relay with NO/NC contact Maximum voltage: 240 V ac Maximum current of 0.5 A Programmable functions	
	Transistor	1 isolated open sink digital output (using as reference the 24 V dc power supply) Maximum current of 150 mA (maximum capacity of the 24 V dc power supply) ²⁾ Programmable functions	
	Power supply	24 V dc power supply. Maximum capacity: 150 mA ²⁾ Power supply of 10 V dc. Maximum capacity: 2 mA	
Communication	Selectable plug-in	Standard Communication: One RS485 (Modbus RTU / BACnet) Port. Optional: CANopen, DeviceNet, Profibus-DP, EtherNet/IP, Modbus-TCP, PROFINET IO, USB, RS485 (two Ports) and RS232 port	
Safety	Protection	Phase-phase overcurrent/short circuit in the output Phase-ground overcurrent/short circuit in the output Undervoltage/overvoltage in the power Overtemperature of the heatsink Motor overload Overload on the power module (IGBTs) External fault / alarm Programming error	
Operating interface (keypad)	Standard (built in the CFW500)	9 keys: Run/Stop, Increment, Decrement, Direction of rotation, Jog, Local/Remote, Back/Esc and Enter/Menu LCD Display It allows accessing/changing all the parameters Accuracy of the indications: Current: 5% of the rated current Speed resolution: 0.1 Hz	
Protection degree	IP20	Sizes A, B, C, D, E, F and G	
	NEMA1	Sizes A, B, C, D, E, F and G with NEMA1 kit	
	IP66/NEMA4X (Indoor/Outdoor)	Sizes A and B	

Wash Down Duty

Notes: 1) The number and/or types of analog/digital inputs/outputs may vary according to the plug-in module (accessory) used. In the table above, the standard plug-in module (CFW500-IOS) was taken into account. For further information, refer to the CFW500 user manual.

2) The maximum capacity of 150 mA considers the load of the 24 V power supply plus the transistor output, that is, the sum of the consumption of both must not exceed 150 mA.

SINGLE-PHASE

TEFC – Foot Mount	A-167
TEFC – C-Face – Foot Mount	A-168
TEFC – C-Face – Footless	A-168
TEFC – Foot Mount – Thermally Protected	A-169
ODP – Foot Mount	A-170
ODP – Resilient Base	A-171
ODP – C-Face – Foot Mount	A-172
ODP – C-Face – Footless	A-173
ODP – Foot Mount – Thermally Protected	A-173

THREE-PHASE

TEFC – Foot Mount	A-174
TEFC – C-Face – Foot Mount	A-175
TEFC – C-Face – Footless	A-176
TEFC – Footless – Explosion Proof	A-176
ODP – Foot Mount	A-177
ODP – C-Face – Foot Mount	A-178
ODP – C-Face – Footless	A-179
ODP – Resilient Base	A-179

DC MOTORS

NEMA 56 PMDC Motors	A-180
NEMA 145TC PMDC Motors	A-180

EXPLOSION PROOF - SINGLE-PHASE

Foot Mount	A-182
C-Face – Foot Mount	A-182

EXPLOSION PROOF - THREE-PHASE

Foot Mount	A-183
C-Face – Foot Mount	A-183

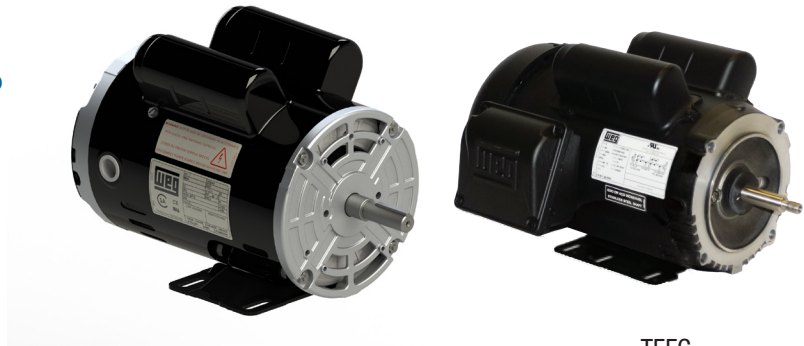
Fractional Motors

Single-Phase TEFC & ODP

High Starting Torque makes these motors ideal for a wide range of applications.

Standard Features:

- Ball bearings
- Class F insulation



ODP

TEFC

Features that make a difference:

- High Starting Torque
- TEFC motors are rated IP55 (gasketed conduit box and capacitor cover)



Resilient Base



Fractional Motors

Three-Phase TEFC & ODP

High Starting Torque makes these motors ideal for a wide range of applications.

Standard Features:

- 50/60 Hz Rated
- Ball bearings
- Class F insulation



ODP



TEFC



Resilient Base

Inverter Rated

	Max Ambient temp.	Efficiency	Frame	Output	Poles	CT Constant Torque	VT Variable torque
ODP	Up to 40°C	None (Standard Eff)	48 - 56	<1Hp	-	4:1	1000:1
				≥ 1Hp	-	2:1	
		Premium Efficiency	48 - 56	<1Hp	2	5:1	
				≥ 1Hp	2	3:1	
TEFC		None (Standard Eff)	48 - 56	<1Hp	-	10:1	
				≥ 1Hp	-	5:1	
		Premium Efficiency	48 - 56	-	2	10:1	
				-	4, 6 and 8	4:1	

Fractional Motors

Features that make a difference:

- Motors are suitable for VFD operation (TEFC)
- 50/60 Hz Rated
- Service Factor 1.15 or better
- TEFC rated IP55 (gasketed conduit box and capacitor cover)



Please refer to inside back cover for description of "NOTES"

For detailed specifications, data sheets, drawings and performance curves visit [http:// www.weg.net](http://www.weg.net)



TEFC - Foot Mount

HP	kW	RPM	Frame	Catalog Number	List Price	Mult. Symbol	Approx. Shipping Weight (lbs)	Service Factor	FL Amps @ High	FL. Eff (%)	"C" Dimension (in)	Voltage (V)	Notes
0.25	0.18	3600	W56	.2536ES1BW56-S	\$257	F1	20	1.15	2.10	50.0	10.713	115/208-230	9
		1800	W56	.2518ES1BW56-S	\$267	F1	20	1.15	2.30	57.0	11.106	115/208-230	9
0.33	0.25	3600	W56	.3336ES1BW56-S	\$267	F1	23	1.15	2.60	54.0	11.106	115/208-230	9
		1800	W56	.3318ES1BW56-S	\$283	F1	22	1.15	3.00	61.0	11.500	115/208-230	9
		1800	W56	.3318ES1RFDW56-S	\$284	R1	22	1.15	3.00	61.0	11.500	115/230	4;9
0.5	0.37	3600	W56	.5036ES1BW56-S	\$284	F1	24	1.15	3.50	60.0	11.500	115/208-230	9
		3600	W56	.5036ES1BOLW56-S	\$316	F1	24	1.15	3.50	60.0	11.500	115/208-230	4;9
		1800	W56	.5018ES1RFDW56-S	\$308	R1	25	1.15	4.00	64.0	11.894	115/230	4;9
		1800	W56	.5018ES1BW56-S	\$312	F1	24	1.15	4.00	64.0	11.894	115/208-230	9
		1200	W56	.5012ES1B56-S	\$512	F1	38	1.15	3.20	71.0	13.508	115/208-230	9
0.75	0.55	3600	56	.7536ES1BOL56-S	\$329	F1	31	1.15	4.00	66.0	12.721	115/208-230	4;9
		3600	56	.7536ES1B56-S	\$297	F1	31	1.15	4.00	66.0	12.721	115/208-230	9
		1800	56	.7518ES1RFD56-S	\$357	R1	34	1.15	5.30	68.5	13.114	115/230	4;9
		1800	56	.7518ES1B56-S	\$348	F1	33	1.15	5.30	68.5	13.114	115/208-230	9
		1200	56H	.7512ES1B56-S	\$648	F1	44	1.15	4.70	70.0	14.295	115/208-230	9
1	0.75	3600	56	00136ES1BOL56-S	\$408	F1	35	1.15	5.10	70.0	13.114	115/208-230	4;9
		3600	56	00136ES1B56-S	\$376	F1	34	1.15	5.10	70.0	13.114	115/208-230	9
		1800	56	00118ES1RFD56-S	\$394	R1	40	1.15	6.80	71.0	13.901	115/230	4;9
		1800	56	00118ES1B56-S	\$401	F1	39	1.15	6.80	71.0	13.902	115/208-230	9
1.5	1.1	3600	56	00156ES1B56-S	\$432	F1	39	1.15	6.60	75.0	13.902	115/208-230	9
		3600	56	00156ES1BOL56-S	\$463	F1	39	1.15	6.60	75.0	13.902	115/208-230	4;9
		1800	56H	00158ES1RFD56H-S	\$502	R1	51	1.15	7.50	77.0	15.083	115/230	4;9
		1800	56H	00158ES1B56-S	\$456	F1	40	1.15	7.50	77.0	15.083	115/208-230	9
2	1.5	3600	56H	00236ES1BOL56-S	\$592	F1	44	1.15	8.70	77.0	14.295	115/208-230	4;9
		3600	56H	00236ES1B56-S	\$561	F1	44	1.15	8.70	77.0	14.295	115/208-230	9
		1800	56H	00218ES1RFD56H-S	\$529	R1	56	1.15	10.0	78.5	15.870	115/230	4;9

Please refer to inside back cover for description of "NOTES"

For detailed specifications, data sheets, drawings and performance curves visit <http://www.weg.net>

Data subject to change without notice.

Can't find what you are looking for? Call 1-800-ASK-4WEG (275-4934)

Fractional Motors



SINGLE -PHASE



TEFC - C-Face - Foot Mount

HP	kW	RPM	Frame	Catalog Number	List Price	Mult. Symbol	Approx. Shipping Weight (lbs)	Service Factor	FL Amps @ High	FL. Eff (%)	"C" Dimension (in)	Voltage (V)	Notes
0.25	0.18	3600	W56C	.2536ES1BW56C-S	\$280	F1	20	1.15	2.10	50.0	10.713	115/208-230	9
		1800	W56C	.2518ES1BW56C-S	\$288	F1	20	1.15	2.30	57.0	11.106	115/208-230	9
0.33	0.25	3600	W56C	.3336ES1BW56C-S	\$288	F1	22	1.15	2.60	54.0	11.106	115/208-230	9
		1800	W56C	.3318ES1BW56C-S	\$304	F1	22	1.15	3.00	61.0	11.500	115/208-230	9
0.5	0.37	3600	W56C	.5036ES1BW56C-S	\$313	F1	24	1.15	3.50	60.0	11.500	115/208-230	9
		1800	W56C	.5018ES1BW56C-S	\$333	F1	26	1.15	4.00	64.0	11.894	115/208-230	9
		1800	W56C	.5018ES1BOW56C-S	\$348	F1	24	1.15	4.00	64.0	11.894	115/208-230	3;9
		1200	W56C	.5012ES1B56C-S	\$535	F1	39	1.15	3.20	67.0	13.508	115/208-230	9
0.75	0.55	3600	56C	.7536ES1B56C-S	\$353	F1	32	1.15	4.00	66.0	12.721	115/208-230	9
		1800	56C	.7518ES1B56C-S	\$370	F1	34	1.15	5.30	68.5	13.114	115/208-230	9
		1200	56HC	.7512ES1B56C-S	\$669	F1	45	1.15	4.70	70.0	14.295	115/208-230	9
1	0.75	3600	56C	00136ES1B56C-S	\$378	F1	35	1.15	5.10	70.0	13.114	115/208-230	9
		1800	56C	00118ES1B56C-S	\$424	F1	40	1.15	6.80	71.0	13.902	115/208-230	9
		1800	56C	00118ES1B056C-S	\$439	F1	40	1.15	6.80	71.0	13.902	115/208-230	3;9
1.5	1.1	3600	56C	00156ES1B56C-S	\$454	F1	40	1.15	6.60	75.0	13.902	115/208-230	9
		1800	56HC	00158ES1B056C-S	\$493	F1	41	1.15	7.50	77.0	15.083	115/208-230	3;9
		1800	56HC	00158ES1B56C-S	\$478	F1	41	1.15	7.50	77.0	15.083	115/208-230	9
2	1.5	3600	56HC	00236ES1B56C-S	\$589	F1	44	1.15	8.70	77.0	14.295	115/208-230	9



TEFC - C-Face - Footless

HP	kW	RPM	Frame	Catalog Number	List Price	Mult. Symbol	Approx. Shipping Weight (lbs)	Service Factor	FL Amps @ High	FL. Eff (%)	"C" Dimension (in)	Voltage (V)	Notes
0.33	0.25	3600	W56C	.3336ES1BW56CFL-S	\$288	F1	21	1.15	2.60	53.0	11.106	115/208-230	9;20
		1800	W56C	.3318ES1BW56CFL-S	\$304	F1	22	1.15	3.00	61.0	11.500	115/208-230	9;20
0.5	0.37	3600	W56C	.5036ES1BW56CFL-S	\$313	F1	24	1.15	3.50	60.0	11.500	115/208-230	9;20
		1800	W56C	.5018ES1BW56CFL-S	\$333	F1	24	1.15	4.00	64.0	11.894	115/208-230	9;20
		1200	56C	.5012ES1B56CFL-S	\$535	F1	38	1.15	3.20	71.0	13.508	115/208-230	9;20
0.75	0.55	3600	56C	.7536ES1B56CFL-S	\$353	F1	31	1.15	4.00	66.0	12.721	115/208-230	9;20
		1800	56C	.7518ES1B56CFL-S	\$370	F1	34	1.15	5.30	68.5	13.114	115/208-230	9;20
		1200	56C	.7512ES1B56CFL-S	\$669	F1	44	1.15	4.70	70.0	14.295	115/208-230	9;20
1	0.75	3600	56C	00136ES1B56CFL-S	\$378	F1	35	1.15	5.10	70.0	13.114	115/208-230	9;20
		1800	56C	00118ES1B56CFL-S	\$424	F1	39	1.15	6.80	71.0	13.902	115/208-230	9;20
1.5	1.1	3600	56C	00156ES1B56CFL-S	\$454	F1	39	1.15	6.60	75.0	13.902	115/208-230	9;20
		1800	56C	00158ES1B56CFL-S	\$478	F1	40	1.15	7.50	77.0	15.083	115/208-230	9;20
2	1.5	3600	56C	00236ES1B56CFL-S	\$589	F1	43	1.15	8.70	77.0	14.295	115/208-230	9;20

Please refer to inside back cover for description of "NOTES"

For detailed specifications, data sheets, drawings and performance curves visit <http://www.weg.net>



TEFC - Foot Mount - Thermally Protected

HP	kW	RPM	Frame	Catalog Number	List Price	Mult. Symbol	Approx. Shipping Weight (lbs)	Service Factor	FL Amps @ High	FL. Eff (%)	"C" Dimension (in)	Voltage (V)	Notes
0.33	0.25	1800	W56	.3318ES1RFDW56-S	\$284	R1	22	1.15	3.00	61.0	11.500	115/230	4;9
0.5	0.37	3600	W56	.5036ES1B0LW56-S	\$316	F1	24	1.15	3.50	60.0	11.500	115/208-230	4;9
		1800	W56	.5018ES1RFDW56-S	\$308	R1	25	1.15	4.00	64.0	11.894	115/230	4;9
0.75	0.55	3600	56	.7536ES1B0L56-S	\$329	F1	31	1.15	4.00	66.0	12.721	115/208-230	4;9
		1800	56	.7518ES1RFD56-S	\$357	R1	34	1.15	5.30	68.5	13.114	115/230	4;9
1	0.75	3600	56	00136ES1B0L56-S	\$408	F1	35	1.15	5.10	70.0	13.114	115/208-230	4;9
		1800	56	00118ES1RFD56-S	\$394	R1	40	1.15	6.80	71.0	13.901	115/230	4;9
1.5	1.1	3600	56	00156ES1B0L56-S	\$463	F1	39	1.15	6.60	75.0	13.902	115/208-230	4;9
		1800	56H	00158ES1RFD56H-S	\$502	R1	51	1.15	7.50	77.0	15.083	115/230	4;9
2	1.5	3600	56H	00236ES1B0L56-S	\$592	F1	44	1.15	8.70	77.0	14.295	115/208-230	4;9
		1800	56H	00218ES1RFD56H-S	\$529	R1	56	1.15	10.0	78.5	15.870	115/230	4;9

Please refer to inside back cover for description of "NOTES"

For detailed specifications, data sheets, drawings and performance curves visit <http://www.weg.net>

Data subject to change without notice.

Can't find what you are looking for? Call 1-800-ASK-4WEG (275-4934)

Fractional Motors

SINGLE -PHASE

ODP - Foot Mount



HP	kW	RPM	Frame	Catalog Number	List Price	Mult. Symbol	Approx. Shipping Weight (lbs)	Service Factor	FL Amps @ High	FL. Eff (%)	"C" Dimension (in)	Voltage (V)	Notes
0.12	0.09	1800	48	.12180S1B48-S	\$201	F1B	18	1.40	1.40	50.0	9.098	115/208-230	9
0.16	0.12	3600	48	.16360S1B48-S	\$216	F1B	21	1.35	1.40	53.0	9.098	115/208-230	9
		1800	48	.16180S1B48-S	\$208	F1B	22	1.35	1.70	53.0	9.098	115/208-230	9
0.25	0.18	3600	48	.25360T1B48-S	\$253	F2B	19	1.35	1.30	66.6	9.492	115/208-230	9
		3600	W56	.25360T1BW56-S	\$253	F2B	19	1.35	1.30	66.6	9.866	115/208-230	9
		1800	48	.25180T1B48-S	\$241	F2B	18	1.35	1.60	68.5	9.492	115/208-230	9
		1800	W56	.25180T1BW56-S	\$241	F2B	19	1.35	1.60	68.5	9.866	115/208-230	9
0.33	0.25	3600	48	.33360T1B48-S	\$256	F2B	23	1.35	1.60	70.5	9.886	115/208-230	9
		3600	W56	.33360T1BW56-S	\$257	F2B	23	1.35	1.60	70.5	10.260	115/208-230	9
		1800	48	.33180T1B48-S	\$275	F2B	20	1.35	2.10	72.4	9.886	115/208-230	9
		1800	W56	.33180T1BW56-S	\$275	F2B	21	1.35	2.10	72.4	10.260	115/208-230	9
0.5	0.37	3600	48	.50360T1B48-S	\$276	F2B	23	1.25	2.40	72.4	9.886	115/208-230	9
		3600	W56	.50360S1BCDW56-S	\$224	C1S	28	1.00	3.10	63.0	9.866	115/208-230	1;4;6;9
		3600	W56	.50360T1BW56-S	\$282	F2B	24	1.25	2.40	72.4	10.260	115/208-230	9
		1800	48	.50180T1B48-S	\$318	F2B	23	1.25	2.80	76.2	10.280	115/208-230	9
		1800	W56	.50180T1BW56-S	\$307	F2B	23	1.25	2.80	76.2	10.654	115/208-230	9
0.75	0.55	3600	W56	.75360S1BCDW56-S	\$237	C1S	22	1.00	4.30	68.5	10.260	115/208-230	1;4;6;9
		3600	56	.75360T1B56-S	\$320	F2B	30	1.25	3.40	76.2	11.890	115/208-230	9
		1800	56	.75180T1B56-S	\$387	F2B	38	1.25	3.40	81.8	11.890	115/208-230	9
1	0.75	3600	56	001360S1BCD56-S	\$278	C1S	36	1.00	6.60	67.0	11.102	115/208-230	1;4;6;9
		3600	56	001360T1B56-S	\$347	F2B	35	1.25	4.30	80.4	11.890	115/208-230	9
		1800	56	001180T1B56-S	\$421	F2B	41	1.15	4.50	82.6	12.677	115/208-230	9
		1800	56	001180T1B056-S	\$438	F2B	41	1.15	4.50	82.6	12.677	115/208-230	3;9
1.5	1.1	3600	56	001560S1BCD56-S	\$311	C1S	40	1.00	8.70	68.0	11.496	115/208-230	1;4;6;9
		3600	56	001560T1B56-S	\$393	F2B	38	1.15	6.20	81.5	12.284	115/208-230	9
		1800	56H	001580T1B56-S	\$523	F2B	49	1.15	6.80	83.8	13.071	115/208-230	9
		1800	56H	001580T1B056-S	\$541	F2B	50	1.15	6.80	83.8	13.465	115/208-230	3;9
2	1.5	3600	56H	002360S1BCD56-S	\$372	C1S	34	1.00	8.90	70.0	11.890	115/208-230	1;4;6;9
		3600	56H	002360T1B56-S	\$485	F2B	43	1.15	8.40	82.9	12.677	115/208-230	9
		1800	56H	002180T1B56-S	\$626	F2B	54	1.15	9.30	84.5	13.465	115/208-230	9
3	2.2	3600	56H	003360S1CCD56-S	\$432	C1S	41	1.00	12.7	80.0	12.677	208-230	1;4;6;9
		3600	56H	003360T1B56-S	\$568	F2B	52	1.15	12.2	84.1	13.465	115/208-230	9
5	3.7	3600	56H	005360S1DCD56H-S	\$458	C1S	53	1.00	20.3	80.0	13.465	230	1;4;6;9
		3600	56HZ	005360S1DCD56HZ-S	\$481	C1S	53	1.00	20.3	80.0	13.533	230	1;4;5;6;9

Fractional Motors

Please refer to inside back cover for description of "NOTES"

For detailed specifications, data sheets, drawings and performance curves visit [http:// www.weg.net](http://www.weg.net)



ODP - Resilient Base

HP	kW	RPM	Frame	Catalog Number	List Price	Mult. Symbol	Approx. Shipping Weight (lbs)	Service Factor	FL Amps @ High	FL. Eff (%)	"C" Dimension (in)	Voltage (V)	Notes
0.16	0.12	1800	48Z	.16180S1ASPRB048Z-S	\$272	F1B	21	1.35	3.00	50.5	10.138	115	3;9;13;16
		1800	48Z	.16180S1ASPRB48Z-S	\$260	F1B	21	1.35	3.00	50.5	10.138	115	9;13;16
0.25	0.18	1800	48Z	.25180S1BSPRB048Z-S	\$274	F1B	22	1.35	2.10	55.0	10.138	115/208-230	3;9;13;16
		1800	48Z	.25180S1ASPRB048Z-S	\$274	F1B	22	1.35	4.30	55.0	10.138	115	3;9;13;16
		1800	48Z	.25180S1ASPRB48Z-S	\$262	F1B	22	1.35	4.30	55.0	10.138	115	9;13;16
0.33	0.25	1800	48Z	.33180S1BSPRB048Z-S	\$284	F1B	24	1.35	2.60	60.8	10.138	115/208-230	3;9;13;16
		1800	W56	.33180S1BSPRB0W56-S	\$288	F1B	25	1.35	2.60	62.0	10.138	115/208-230	3;9;13;16
		1800	W56	.33180S1BSPRBW56-S	\$276	F1B	25	1.35	2.60	62.0	10.138	115/208-230	9;13;16
		1800	48Z	.33180S1BSPRB48Z-S	\$272	F1B	24	1.35	2.60	60.8	10.138	115/208-230	9;13;16
		1800	W56	.33180T1BRBOW56-S	\$325	F2B	24	1.35	2.10	72.4	10.925	115/208-230	3;9;13
0.5	0.37	1800	48Z	.50180S1BSPRB048Z-S	\$311	F1B	29	1.25	3.70	63.5	10.925	115/208-230	3;9;13;16
		1800	48Z	.50180S1BSPRB48Z-S	\$299	F1B	29	1.25	3.70	63.5	10.925	115/208-230	9;13;16
		1800	W56	.50180S1BSPRB0W56-S	\$316	F1B	30	1.25	3.70	63.5	10.945	115/208-230	3;9;13;16
		1800	W56	.50180S1BSPRBW56-S	\$304	F1B	30	1.25	3.70	63.5	10.945	115/208-230	9;13;16
		1800	W56	.50180T1BRBOW56-S	\$368	F2B	26	1.25	2.75	76.2	11.319	115/208-230	3;9;13
0.75	0.55	1800	56	.75180T1BRB056-S	\$434	F2B	38	1.25	3.40	81.8	12.402	115/208-230	3;9;13
1	0.75	1800	56	001180T1BRB056-S	\$468	F2B	43	1.15	4.50	82.6	13.189	115/208-230	3;9;13
1.5	1.1	3600	56	001560T1BRB056-S	\$450	F2B	39	1.15	6.20	81.5	12.795	115/208-230	3;9;13
		1800	56H	001580T1BRB056-S	\$570	F2B	50	1.15	6.80	83.8	13.583	115/208-230	3;9;13
2	1.5	1800	56H	002180T1BRB056H-S	\$616	F2B	57	1.15	9.30	84.5	14.373	115/208-230	3;9;13

Please refer to inside back cover for description of "NOTES"

For detailed specifications, data sheets, drawings and performance curves visit <http://www.weg.net>

Data subject to change without notice.

Can't find what you are looking for? Call 1-800-ASK-4WEG (275-4934)

Fractional Motors



SINGLE -PHASE



ODP - C-Face - Foot Mount

HP	kW	RPM	Frame	Catalog Number	List Price	Mult. Symbol	Approx. Shipping Weight (lbs)	Service Factor	FL Amps @ High	FL. Eff (%)	"C" Dimension (in)	Voltage (V)	Notes
0.12	0.09	1800	48CH	.12180S1B48CH-S	\$222	F1B	18	1.40	1.40	50.0	9.098	115/208-230	9
0.16	0.12	3600	48CH	.16360S1B48CH-S	\$237	F1B	21	1.35	1.40	53.0	9.098	115/208-230	9
		1800	48CH	.16180S1B48CH-S	\$231	F1B	22	1.35	1.70	53.0	9.098	115/208-230	9
0.25	0.18	3600	48CH	.25360T1B48CH-S	\$277	F2B	19	1.35	1.30	66.6	9.492	115/208-230	9
		3600	W56C	.25360T1BW56C-S	\$281	F2B	19	1.35	1.30	66.6	9.866	115/208-230	9
		1800	48CH	.25180T1B48CH-S	\$269	F2B	18	1.35	1.60	68.5	9.492	115/208-230	9
		1800	W56C	.25180T1BW56C-S	\$269	F2B	19	1.35	1.60	68.5	9.866	115/208-230	9
0.33	0.25	3600	48CH	.33360T1B48CH-S	\$282	F2B	23	1.35	1.60	70.5	9.886	115/208-230	9
		3600	W56C	.33360T1BW56C-S	\$285	F2B	23	1.35	1.60	70.5	10.260	115/208-230	9
		1800	48CH	.33180T1B48CH-S	\$299	F2B	20	1.35	2.10	72.4	9.886	115/208-230	9
		1800	W56C	.33180T1BW56C-S	\$303	F2B	21	1.35	2.10	72.4	10.260	115/208-230	9
0.5	0.37	3600	48CH	.50360T1B48CH-S	\$300	F2B	23	1.25	2.40	72.4	9.886	115/208-230	9
		3600	W56C	.50360T1BW56C-S	\$310	F2B	24	1.25	2.40	72.4	10.260	115/208-230	9
		1800	W56C	.50180T1BOW56C-S	\$352	F2B	24	1.25	2.80	76.2	10.654	115/208-230	3;9
		1800	W56C	.50180T1BW56C-S	\$335	F2B	24	1.25	2.80	76.2	10.654	115/208-230	9
0.75	0.55	3600	56C	.75360T1B56C-S	\$348	F2B	30	1.25	3.40	76.2	11.890	115/208-230	9
		1800	56C	.75180T1B56C-S	\$415	F2B	38	1.25	3.40	81.8	11.890	115/208-230	9
1	0.75	3600	56C	001360T1B56C-S	\$375	F2B	35	1.25	4.30	80.4	11.890	115/208-230	9
		1800	56C	001180T1B56C-S	\$449	F2B	41	1.15	4.50	82.6	12.677	115/208-230	9
1.5	1.1	3600	56C	001560T1B56C-S	\$421	F2B	38	1.15	6.20	81.5	12.284	115/208-230	9
		1800	56HC	001580T1B56C-S	\$551	F2B	49	1.15	6.80	83.8	13.071	115/208-230	9
2	1.5	3600	56HC	002360T1B56C-S	\$513	F2B	43	1.15	8.40	82.9	12.677	115/208-230	9
		1800	56HC	002180T1B56C-S	\$654	F2B	54	1.15	9.30	84.5	13.465	115/208-230	9
3	2.2	3600	56HC	003360T1B56C-S	\$596	F2B	52	1.15	12.2	84.1	13.465	115/208-230	9

Fractional Motors

Please refer to inside back cover for description of "NOTES"

For detailed specifications, data sheets, drawings and performance curves visit [http:// www.weg.net](http://www.weg.net)



ODP - C-Face - Footless

HP	kW	RPM	Frame	Catalog Number	List Price	Mult. Symbol	Approx. Shipping Weight (lbs)	Service Factor	FL Amps @ High	FL. Eff (%)	"C" Dimension (in)	Voltage (V)	Notes
0.25	0.18	1800	W56C	.25180T1BW56CFL-S	\$269	F2B	18	1.35	1.60	68.5	9.866	115/208-230	9;20;51
0.33	0.25	3600	W56C	.33360T1BW56CFL-S	\$285	F2B	23	1.35	1.60	70.5	10.260	115/208-230	9;20
		3600	W56C	.33360T1BOW56CFL-S	\$302	F2B	23	1.35	1.60	70.5	10.260	115/208-230	3;9;20
		1800	W56C	.33180T1BW56CFL-S	\$303	F2B	20	1.35	2.10	72.4	10.260	115/208-230	9;20
		3600	W56C	.50360T1BOW56CFL-S	\$327	F2B	23	1.25	2.40	72.4	10.260	115/208-230	3;9;20
0.5	0.37	3600	W56C	.50360T1BW56CFL-S	\$310	F2B	23	1.25	2.40	72.4	10.260	115/208-230	9;20
		1800	W56C	.50180T1BW56CFL-S	\$335	F2B	23	1.25	2.80	76.2	10.654	115/208-230	9;20
		3600	56C	.75360T1B056CFL-S	\$365	F2B	29	1.25	3.40	76.2	11.890	115/208-230	3;9;20
0.75	0.55	3600	56C	.75360T1B56CFL-S	\$348	F2B	29	1.25	3.40	76.2	11.890	115/208-230	9;20
		1800	56C	.75180T1B56CFL-S	\$415	F2B	38	1.25	3.40	81.8	11.890	115/208-230	9;20
		3600	56C	001360T1B56CFL-S	\$375	F2B	35	1.25	4.30	80.4	11.890	115/208-230	9;20
1	0.75	3600	56C	001360T1B056CFL-S	\$392	F2B	35	1.25	4.30	80.4	11.890	115/208-230	3;9;20
		1800	56C	001180T1B56CFL-S	\$449	F2B	41	1.15	4.50	82.6	12.677	115/208-230	9;20
		3600	56C	001560T1B56CFL-S	\$421	F2B	38	1.15	6.20	81.5	12.284	115/208-230	9;20
1.5	1.1	3600	56C	001560T1B056CFL-S	\$438	F2B	38	1.15	6.20	81.5	12.284	115/208-230	3;9;20;51
		1800	56C	001580T1B56CFL-S	\$551	F2B	48	1.15	6.80	83.8	13.071	115/208-230	9;20
		3600	56C	002360T1B56CFL-S	\$513	F2B	43	1.15	8.40	82.9	12.677	115/208-230	9;20
2	1.5	3600	56C	002360T1B056CFL-S	\$530	F2B	43	1.15	8.40	82.9	12.677	115/208-230	3;9;20;51
		1800	56C	002180T1B56CFL-S	\$654	F2B	54	1.15	9.30	84.5	13.465	115/208-230	9;20
		3600	56C	003360T1B056CFL-S	\$613	F2B	51	1.15	12.2	84.1	13.465	115/208-230	3;9;20
3	2.2	3600	56C	003360T1B56CFL-S	\$596	F2B	51	1.15	12.2	84.1	13.465	115/208-230	9;20



ODP - Foot Mount - Thermally Protected

HP	kW	RPM	Frame	Catalog Number	List Price	Mult. Symbol	Approx. Shipping Weight (lbs)	Service Factor	FL Amps @ High	FL. Eff (%)	"C" Dimension (in)	Voltage (V)	Notes
0.5	0.37	3600	W56	.50360S1BCDW56-S	\$224	C1S	28	1.00	3.10	63.0	9.866	115/208-230	1;4;6;9
0.75	0.55	3600	W56	.75360S1BCDW56-S	\$237	C1S	22	1.00	4.30	68.5	10.260	115/208-230	1;4;6;9
1	0.75	3600	56	001360S1BCD56-S	\$278	C1S	36	1.00	6.60	67.0	11.102	115/208-230	1;4;6;9
		1800	56	001180T1B056-S	\$438	F2B	41	1.15	4.50	82.6	12.677	115/208-230	3;9
1.5	1.1	3600	56	001560S1BCD56-S	\$311	C1S	40	1.00	8.70	68.0	11.496	115/208-230	1;4;6;9
		1800	56H	001580T1B056-S	\$541	F2B	50	1.15	6.80	83.8	13.465	115/208-230	3;9
2	1.5	3600	56H	002360S1BCD56-S	\$372	C1S	34	1.00	8.90	70.0	11.890	115/208-230	1;4;6;9
3	2.2	3600	56H	003360S1CCD56-S	\$432	C1S	41	1.00	12.7	80.0	12.677	208-230	1;4;6;9
5	3.7	3600	56H	005360S1DCD56H-S	\$458	C1S	53	1.00	20.3	80.0	13.465	230	1;4;6;9
		3600	56HZ	005360S1DCD56HZ-S	\$481	C1S	53	1.00	20.3	80.0	13.533	230	1;4;5;6;9

Please refer to inside back cover for description of "NOTES"

For detailed specifications, data sheets, drawings and performance curves visit <http://www.weg.net>

Data subject to change without notice.

Can't find what you are looking for? Call 1-800-ASK-4WEG (275-4934)

Fractional Motors



THREE -PHASE

TEFC - Foot Mount

HP	kW	RPM	Frame	Catalog Number	List Price	Mult. Symbol	Approx. Shipping Weight (lbs)	Service Factor	FL Amps @ High	FL. Eff (%)	"C" Dimension (in)	Voltage (V)	Notes
0.25	0.18	3600	56	.2536ES3E56-S	\$237	F1	21	1.15	0.50	57.5	11.142	208-230/460	9
		1800	56	.2518ES3E56-S	\$249	F1	23	1.15	0.50	70.0	11.142	208-230/460	9
0.33	0.25	3600	56	.3336ES3E56-S	\$249	F1	22	1.15	0.60	62.0	11.142	208-230/460	9
		1800	56	.3318ES3E56-S	\$253	F1	24	1.15	0.60	74.0	11.535	208-230/460	9
0.5	0.37	3600	56	.5036ES3E56-S	\$258	F1	24	1.15	0.80	68.0	11.535	208-230/460	9
		1800	56	.5018ES3E56-S	\$287	F1	26	1.15	0.90	77.0	11.535	208-230/460	9
		1800	56	.5018ES3H56-S	\$288	F1	26	1.15	0.70	77.0	11.535	575	9
		1200	56	.5012ES3E56-S	\$417	F1	31	1.15	1.00	72.0	12.323	208-230/460	9
0.75	0.55	3600	56	.7536ES3E56-S	\$287	F1	25	1.15	1.10	72.0	11.535	208-230/460	9
		3600	56	.7536ES3H56-S	\$288	F1	25	1.15	0.90	72.0	11.535	575	9
		1800	56	.7518ES3E56-S	\$311	F1	28	1.15	1.20	78.5	11.929	208-230/460	9
		1200	56H	.7512ES3E56-S	\$427	F1	34	1.15	1.30	75.5	12.716	208-230/460	9
1	0.75	3600	W56	00136ET3EW56-S	\$392	F1	25	1.15	1.50	78.5	11.106	230/460	9
		3600	W56	00136ET3HW56-S	\$392	F1	25	1.15	1.20	78.5	11.106	575	9
		1800	56	00118ET3E56-S	\$379	F1	41	1.15	1.50	85.5	13.504	230/460	9
		1800	56	00118ET3H56-S	\$379	F1	41	1.15	1.20	85.5	13.504	575	9
		1200	56H	00112ET3E56-S	\$497	F1	42	1.15	1.60	82.5	13.504	230/460	9
1.5	1.1	3600	56	00156ET3E56-S	\$433	F1	37	1.15	1.90	84.0	13.109	230/460	9
		1800	56H	00158ET3E56-S	\$435	F1	44	1.15	2.00	86.5	13.504	230/460	9
2	1.5	3600	56H	00236ET3E56-S	\$489	F1	44	1.15	2.50	85.5	13.898	230/460	9
		1800	56H	00218ET3E56-S	\$478	F1	46	1.15	2.70	86.5	13.898	230/460	9
3	2.2	3600	56H	00336ET3E56-S	\$578	F1	54	1.15	3.50	86.5	15.079	230/460	9

Fractional Motors

Please refer to inside back cover for description of "NOTES"

For detailed specifications, data sheets, drawings and performance curves visit [http:// www.weg.net](http://www.weg.net)



TEFC - C-Face - Foot Mount

HP	kW	RPM	Frame	Catalog Number	List Price	Mult. Symbol	Approx. Shipping Weight (lbs)	Service Factor	FL Amps @ High	FL. Eff (%)	"C" Dimension (in)	Voltage (V)	Notes
0.25	0.18	3600	56C	.2536ES3E56C-S	\$258	F1	21	1.15	0.50	57.5	11.142	208-230/460	9
		1800	56C	.2518ES3E56C-S	\$270	F1	23	1.15	0.50	70.0	11.142	208-230/460	9
		1800	56C	.2518ES3H56C-S	\$270	F1	23	1.15	0.40	70.0	11.142	575	9
0.33	0.25	3600	56C	.3336ES3E56C-S	\$270	F1	22	1.15	0.60	62.0	11.142	208-230/460	9
		3600	56C	.3336ES3H56C-S	\$270	F1	22	1.15	0.50	62.0	11.142	575	9
		1800	56C	.3318ES3E56C-S	\$274	F1	24	1.15	0.60	74.0	11.535	208-230/460	9
0.5	0.37	3600	56C	.5036ES3E56C-S	\$282	F1	24	1.15	0.80	68.0	11.535	208-230/460	9
		3600	56C	.5036ES3H56C-S	\$281	F1	24	1.15	0.70	68.0	11.535	575	9
		1800	56C	.5018ES3E56C-S	\$311	F1	26	1.15	0.90	77.0	11.535	208-230/460	9
		1800	56C	.5018ES3H56C-S	\$263	F1	26	1.15	0.70	77.0	11.535	575	9
		1200	56C	.5012ES3E56C-S	\$440	F1	31	1.15	1.00	72.0	12.323	208-230/460	9
0.75	0.55	3600	56C	.7536ES3E56C-S	\$311	F1	25	1.15	1.10	72.0	11.535	208-230/460	9
		3600	56C	.7536ES3H56C-S	\$310	F1	25	1.15	0.90	72.0	11.535	575	9
		1800	56C	.7518ES3E56C-S	\$332	F1	28	1.15	1.20	78.5	11.929	208-230/460	9
		1800	56C	.7518ES3H56C-S	\$333	F1	28	1.15	1.00	78.5	11.929	575	9
		1200	56HC	.7512ES3E56C-S	\$449	F1	34	1.15	1.30	75.5	12.716	208-230/460	9
1	0.75	3600	W56C	00136ET3EW56C-S	\$420	F1	25	1.15	1.50	78.5	11.106	230/460	9
		3600	W56C	00136ET3HW56C-S	\$420	F1	25	1.15	1.20	78.5	11.106	575	9
		1800	56C	00118ET3E56C-S	\$407	F1	41	1.15	1.50	85.5	13.504	230/460	9
		1800	56C	00118ET3H56C-S	\$407	F1	41	1.15	1.20	85.5	13.504	575	9
		1200	56HC	00112ET3E56C-S	\$525	F1	42	1.15	1.60	82.5	13.504	230/460	9
1.5	1.1	3600	56C	00156ET3E56C-S	\$461	F1	37	1.15	1.90	84.0	13.109	230/460	9
		3600	56C	00156ET3H56C-S	\$461	F1	37	1.15	1.50	84.0	13.109	575	9
		1800	56HC	00158ET3E56C-S	\$463	F1	44	1.15	2.00	86.5	13.504	230/460	9
		1800	56HC	00158ET3H56C-S	\$463	F1	44	1.15	1.60	86.5	13.504	575	9
		3600	56HC	00236ET3E56C-S	\$517	F1	44	1.15	2.50	85.5	13.898	230/460	9
2	1.5	3600	56HC	00236ET3H56C-S	\$517	F1	44	1.15	2.00	85.5	13.898	575	9
		1800	56HC	00218ET3E56C-S	\$506	F1	46	1.15	2.70	86.5	13.898	230/460	9
		3600	56HC	00336ET3E56C-S	\$606	F1	54	1.15	3.50	86.5	15.079	230/460	9
3	2.2	3600	56HC	00336ET3H56C-S	\$606	F1	54	1.15	2.80	86.5	15.079	575	9

Please refer to inside back cover for description of "NOTES"

For detailed specifications, data sheets, drawings and performance curves visit [http:// www.weg.net](http://www.weg.net)

Data subject to change without notice.

Can't find what you are looking for? Call 1-800-ASK-4WEG (275-4934)

Fractional Motors



THREE -PHASE

TEFC - C-Face - Footless

HP	kW	RPM	Frame	Catalog Number	List Price	Mult. Symbol	Approx. Shipping Weight (lbs)	Service Factor	FL Amps @ High	FL. Eff (%)	"C" Dimension (in)	Voltage (V)	Notes
0.33	0.25	3600	56C	.3336ES3E56CFL-S	\$270	F1	22	1.15	0.60	62.0	11.142	208-230/460	9;20
		3600	56C	.3336ES3H56CFL-S	\$270	F1	22	1.15	0.50	62.0	11.142	575	9;20
		1800	56C	.3318ES3E56CFL-S	\$274	F1	24	1.15	0.60	74.0	11.535	208-230/460	9;20
0.5	0.37	3600	56C	.5036ES3E56CFL-S	\$282	F1	24	1.15	0.80	68.0	11.535	208-230/460	9;20
		1800	56C	.5018ES3E56CFL-S	\$311	F1	26	1.15	0.90	77.0	11.535	208-230/460	9;20
		1800	56C	.5018ES3H56CFL-S	\$312	F1	26	1.15	0.70	77.0	11.535	575	9;20
		1200	56C	.5012ES3E56CFL-S	\$440	F1	31	1.15	1.00	72.0	12.323	208-230/460	9;20
		1200	56C	.5012ES3H56CFL-S	\$441	F1	31	1.15	0.80	72.0	12.323	575	9;20
0.75	0.55	3600	56C	.7536ES3E56CFL-S	\$311	F1	25	1.15	1.10	72.0	11.535	208-230/460	9;20
		3600	56C	.7536ES3H56CFL-S	\$312	F1	25	1.15	0.90	72.0	11.535	575	9;20
		1800	56C	.7518ES3E56CFL-S	\$332	F1	28	1.15	1.20	78.5	11.929	208-230/460	9;20
		1800	56C	.7518ES3H56CFL-S	\$333	F1	28	1.15	1.00	78.5	11.929	575	9;20
		1200	56C	.7512ES3E56CFL-S	\$449	F1	34	1.15	1.30	75.5	12.716	208-230/460	9;20
		1200	56C	.7512ES3H56CFL-S	\$450	F1	34	1.15	1.10	75.5	12.716	575	9;20
1	0.75	3600	W56C	00136ET3EW56CFL-S	\$420	F1	25	1.15	1.50	78.5	11.106	230/460	9;20
		1800	56C	00118ET3E56CFL-S	\$407	F1	41	1.15	1.50	85.5	13.504	230/460	9;20
		1800	56C	00118ET3H56CFL-S	\$407	F1	41	1.15	1.20	85.5	13.504	575	9;20
		1200	56C	00112ET3E56CFL-S	\$528	F1	42	1.15	1.60	82.5	13.504	230/460	9;20
		1200	56C	00112ET3H56CFL-S	\$528	F1	42	1.15	1.30	82.5	13.504	575	9;20
1.5	1.1	3600	56C	00156ET3E56CFL-S	\$461	F1	37	1.15	1.90	84.0	13.109	230/460	9;20
		1800	56C	00158ET3E56CFL-S	\$463	F1	44	1.15	2.00	86.5	13.504	230/460	9;20
2	1.5	3600	56C	00236ET3E56CFL-S	\$517	F1	44	1.15	2.50	85.5	13.898	230/460	9;20
		1800	56C	00218ET3E56CFL-S	\$506	F1	46	1.15	2.70	86.5	13.898	230/460	9;20
3	2.2	3600	56C	00336ET3E56CFL-S	\$606	F1	54	1.15	3.50	86.5	15.079	230/460	9;20
		3600	56C	00336ET3H56CFL-S	\$606	F1	54	1.15	2.80	86.5	15.079	575	9;20

Fractional Motors



TEFC - Footless Mount - Explosion Proof

HP	kW	RPM	Frame	Catalog Number	List Price	Mult. Symbol	Approx. Shipping Weight (lbs)	Service Factor	FL Amps @ High	FL. Eff (%)	"C" Dimension (in)	Voltage (V)	Notes
0.5	0.37	3600	56J	.5036XS3EJPR56J	\$810	XF	24	1.00	0.9	73.1	12.3	230/460	1;3;9;43;51
0.75	0.55	3600	56J	.7536XS3EJPR56J	\$835	XF	25	1.00	1.2	77.1	12.3	230/460	1;3;9;45
1	0.75	3600	56J	00136XT3EJPR56J	\$1,030	XF	27	1.00	1.6	77	12.43	230/460	1;3;9;47
1.5	1.1	3600	56J	00156XT3EJPR56J	\$1,105	XF	30	1.00	2.1	84	13.3	230/460	1;3;9;49
2	1.5	3600	56J	00236XT3EJPR56J	\$1,153	XF	35	1.00	2.7	85.5	13.3	230/460	1;3;9;51

Please refer to inside back cover for description of "NOTES"

For detailed specifications, data sheets, drawings and performance curves visit <http://www.weg.net>



ODP - Foot Mount

HP	kW	RPM	Frame	Catalog Number	List Price	Mult. Symbol	Approx. Shipping Weight (lbs)	Service Factor	FL Amps @ High	FL. Eff (%)	"C" Dimension (in)	Voltage (V)	Notes
0.25	0.18	3600	56	.25360T3E56-S	\$231	F2B	19	1.35	0.46	65.6	10.315	230/460	9
		1800	48	.25180T3E48-S	\$235	F2B	18	1.35	0.48	70.0	9.492	230/460	9
		1800	56	.25180T3E56-S	\$235	F2B	19	1.35	0.53	69.5	9.921	230/460	9
		1200	56	.25120T3E56-S	\$288	F2B	21	1.35	0.55	67.5	10.315	230/460	9
0.33	0.25	3600	56	.33360T3E56-S	\$242	F2B	19	1.35	0.61	69.5	10.315	230/460	9
		1800	56	.33180T3E56-S	\$256	F2B	20	1.35	0.67	73.4	10.315	230/460	9
		1800	56	.33180T3H56-S	\$269	F2B	20	1.35	0.54	73.4	10.315	575	9
		1200	56	.33120T3E56-S	\$333	F2B	22	1.35	0.70	71.4	10.315	230/460	9
0.5	0.37	3600	56	.50360T3E56-S	\$258	F2B	20	1.25	0.81	73.4	10.315	230/460	9
		1800	56	.50180T3E56-S	\$296	F2B	24	1.25	0.86	78.2	10.709	230/460	9
		1800	56	.50180T3H56-S	\$311	F2B	24	1.25	0.69	78.2	10.709	575	9
		1200	56	.50120T3E56-S	\$349	F2B	25	1.25	0.93	75.3	10.709	230/460	9
0.75	0.55	3600	56	.75360T3E56-S	\$305	F2B	22	1.25	1.14	76.8	10.709	230/460	9
		1800	56	.75180T3E56-S	\$330	F2B	27	1.25	1.15	81.1	11.102	230/460	9
		1800	56	.75180T3H56-S	\$347	F2B	27	1.25	0.92	81.1	11.102	575	9
		1200	56H	.75120T3E56-S	\$384	F2B	38	1.15	1.26	81.7	12.677	230/460	9
1	0.75	3600	56	001360T3E56-S	\$355	F2B	23	1.25	1.51	77.0	10.709	230/460	9
		1800	56	001180T3E56-S	\$350	F2B	30	1.15	1.57	83.5	11.495	230/460	9
		1200	56H	001120T3E56-S	\$458	F2B	42	1.15	1.68	82.5	13.070	230/460	9
1.5	1.1	3600	56	001560T3E56-S	\$380	F2B	30	1.15	1.85	84.0	11.889	230/460	9
		1800	56H	001580T3E56-S	\$361	F2B	40	1.15	2.10	86.5	12.677	230/460	9
2	1.5	3600	56H	002360T3E56-S	\$436	F2B	38	1.15	2.42	85.5	12.677	230/460	9
		1800	56H	002180T3E56-S	\$371	F2B	40	1.15	2.69	86.5	12.677	230/460	9
3	2.2	3600	56H	003360T3E56-S	\$485	F2B	42	1.15	3.59	85.5	13.070	230/460	9
		1800	56HZ	003180T3E56Z-S	\$481	F2B	48	1.15	3.97	86.9	13.071	230/460	9

Please refer to inside back cover for description of "NOTES"

For detailed specifications, data sheets, drawings and performance curves visit [http:// www.weg.net](http://www.weg.net)

Data subject to change without notice.

Can't find what you are looking for? Call 1-800-ASK-4WEG (275-4934)

Fractional Motors



THREE -PHASE

ODP - C-Face - Foot Mount

HP	kW	RPM	Frame	Catalog Number	List Price	Mult. Symbol	Approx. Shipping Weight (lbs)	Service Factor	FL Amps @ High	FL. Eff (%)	"C" Dimension (in)	Voltage (V)	Notes
0.25	0.18	3600	56C	.25360T3E56C-S	\$259	F2B	19	1.35	0.46	65.6	10.315	230/460	9
		1800	56C	.25180T3E56C-S	\$263	F2B	19	1.35	0.53	69.5	9.921	230/460	9
		1200	56C	.25120T3E56C-S	\$316	F2B	21	1.35	0.55	67.5	10.315	230/460	9;51
0.33	0.25	3600	56C	.33360T3E56C-S	\$270	F2B	19	1.35	0.61	69.5	10.315	230/460	9
		1800	56C	.33180T3E56C-S	\$284	F2B	20	1.35	0.67	73.4	10.315	230/460	9
		1200	56C	.33120T3E56C-S	\$361	F2B	22	1.35	0.70	71.4	10.315	230/460	9
0.5	0.37	3600	56C	.50360T3E56C-S	\$286	F2B	20	1.25	0.81	73.4	10.315	230/460	9
		1800	56C	.50180T3E56C-S	\$324	F2B	24	1.25	0.86	78.2	10.709	230/460	9
		1200	56C	.50120T3E56C-S	\$377	F2B	25	1.25	0.93	75.3	10.709	230/460	9
0.75	0.55	3600	56C	.75360T3E56C-S	\$333	F2B	22	1.25	1.14	76.8	10.709	230/460	9
		1800	56C	.75180T3E56C-S	\$358	F2B	27	1.25	1.15	81.1	11.102	230/460	9
		1800	56C	.75180T3H56C-S	\$358	F2B	27	1.25	0.92	81.1	11.102	575	9
		1200	56HC	.75120T3E56C-S	\$412	F2B	38	1.15	1.26	81.7	12.677	230/460	9
1	0.75	3600	56C	001360T3E56C-S	\$383	F2B	23	1.25	1.51	77.0	10.709	230/460	9
		1800	56C	001180T3E56C-S	\$378	F2B	30	1.15	1.57	83.5	11.495	230/460	9
		1200	56HC	001120T3E56C-S	\$486	F2B	42	1.15	1.68	82.5	13.070	230/460	9
1.5	1.1	3600	56C	001560T3E56C-S	\$408	F2B	30	1.15	1.85	84.0	11.889	230/460	9
		1800	56HC	001580T3E56C-S	\$389	F2B	40	1.15	2.10	86.5	12.677	230/460	9
2	1.5	3600	56HC	002360T3E56C-S	\$464	F2B	38	1.15	2.42	85.5	12.677	230/460	9
		1800	56HC	002180T3E56C-S	\$399	F2B	40	1.15	2.69	86.5	12.677	230/460	9
3	2.2	3600	56HC	003360T3E56C-S	\$513	F2B	42	1.15	3.59	85.5	13.070	230/460	9

Fractional Motors

Please refer to inside back cover for description of "NOTES"

For detailed specifications, data sheets, drawings and performance curves visit [http:// www.weg.net](http://www.weg.net)



ODP - C-Face - Footless

HP	kW	RPM	Frame	Catalog Number	List Price	Mult. Symbol	Approx. Shipping Weight (lbs)	Service Factor	FL Amps @ High	FL. Eff (%)	"C" Dimension (in)	Voltage (V)	Notes
0.25	0.18	1800	56C	.25180T3E56CFL-S	\$263	F2B	19	1.35	0.53	66.0	9.921	230/460	9;20
		1800	56C	.25180T3H56CFL-S	\$263	F2B	19	1.35	0.42	69.5	9.921	575	9;20
0.33	0.25	3600	56C	.33360T3E56CFL-S	\$270	F2B	19	1.35	0.61	69.5	10.315	230/460	9;20
		1800	56C	.33180T3E56CFL-S	\$284	F2B	20	1.35	0.67	73.4	10.315	230/460	9;20
		1800	56C	.33180T3H56CFL-S	\$284	F2B	20	1.35	0.54	73.4	10.315	575	9;20
0.5	0.37	3600	56C	.50360T3E56CFL-S	\$286	F2B	20	1.25	0.81	73.4	10.315	230/460	9;20
		1800	56C	.50180T3E56CFL-S	\$324	F2B	24	1.25	0.86	78.2	10.709	230/460	9;20
		1800	56C	.50180T3H56CFL-S	\$324	F2B	24	1.25	0.69	78.2	10.709	575	9;20
0.75	0.55	3600	56C	.75360T3E56CFL-S	\$333	F2B	22	1.25	1.14	76.8	10.709	230/460	9;20
		1800	56C	.75180T3E56CFL-S	\$358	F2B	27	1.25	1.15	81.1	11.102	230/460	9;20
		1800	56C	.75180T3H56CFL-S	\$358	F2B	27	1.25	0.92	81.1	11.102	575	9;20
1	0.75	3600	56C	001360T3E56CFL-S	\$383	F2B	23	1.25	1.51	77.0	10.709	230/460	9;20
		1800	56C	001180T3E56CFL-S	\$378	F2B	30	1.15	1.57	83.5	11.495	230/460	9;20
		1800	56C	001180T3H56CFL-S	\$378	F2B	30	1.15	1.26	83.5	11.495	575	9;20
1.5	1.1	3600	56C	001560T3E56CFL-S	\$408	F2B	30	1.15	1.85	84.0	11.889	230/460	9;20
		1800	56C	001580T3E56CFL-S	\$389	F2B	40	1.15	2.10	86.5	12.677	230/460	9;20
		1800	56C	001580T3H56CFL-S	\$389	F2B	40	1.15	1.68	86.5	12.677	575	9;20
2	1.5	3600	56C	002360T3E56CFL-S	\$464	F2B	38	1.15	2.42	85.5	12.677	230/460	9;20
		1800	56C	002180T3E56CFL-S	\$399	F2B	40	1.15	2.69	86.5	12.677	230/460	9;20
		1800	56C	002180T3H56CFL-S	\$399	F2B	40	1.15	2.15	86.5	12.677	575	9;20
3	2.2	3600	56C	003360T3E56CFL-S	\$513	F2B	42	1.15	3.59	85.5	13.070	230/460	9;20



ODP - Three-Phase - Resilient Base

HP	kW	RPM	Frame	Catalog Number	List Price	Mult. Symbol	Approx. Shipping Weight (lbs)	Service Factor	FL Amps @ High	FL. Eff (%)	"C" Dimension (in)	Voltage (V)	Notes
0.33	0.25	1800	56	.33180T3ERB56-S	\$314	F2B	22	1.35	0.67	73.4	10.827	230/460	9;13
0.5	0.37	1800	56	.50180T3ERB56-S	\$354	F2B	25	1.25	0.86	78.2	11.220	230/460	9;13
0.75	0.55	1800	56	.75180T3ERB56-S	\$388	F2B	28	1.25	1.15	81.1	11.614	230/460	9;13
1	0.75	1800	56	001180T3ERB56-S	\$408	F2B	31	1.15	1.57	83.5	12.008	230/460	9;13
1.5	1.1	1800	56H	001580T3ERB56-S	\$419	F2B	42	1.15	2.10	86.5	13.189	230/460	9;13

Please refer to inside back cover for description of "NOTES"

For detailed specifications, data sheets, drawings and performance curves visit <http://www.weg.net>

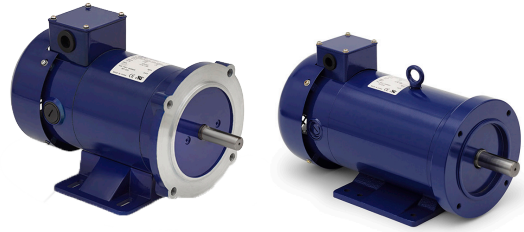
Data subject to change without notice.

Can't find what you are looking for? Call 1-800-ASK-4WEG (275-4934)

DC MOTORS

NEMA 56 PMDC Motors

- UL recognized; Also CE and RoHs listed
- Replaceable brushes
- ¼ HP thru ½ HP ratings have a 4.45" frame/tube OD
- ¾ HP and 1.0 HP ratings have a 4.85" frame/tube OD
- Optional Low Voltage (12V or 24V), or TENV Enclosed



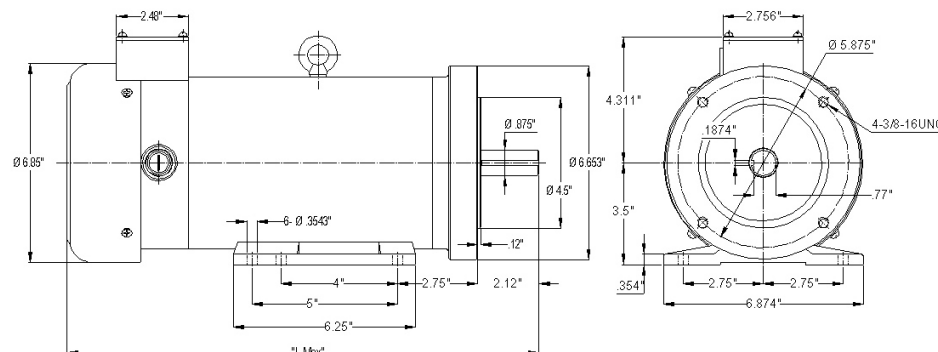
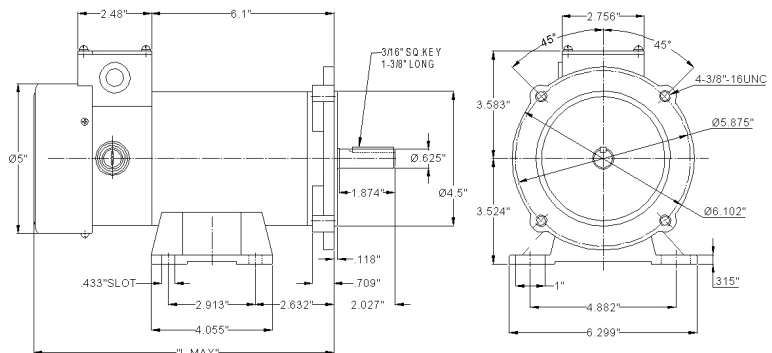
Catalog Number	HP	Voltage	Current	Speed	INSUL	Torque	L Max	List Price	Mult. Symbol
			(Amp)	(RPM)	Class	(In/lbs)	(inches)		
MT-031	0.25	90	2.9	1750	F	9	9.63	\$516	DC1
MT-041		180	1.39	1750	F	9	9.63	\$516	DC1
MT-033	0.33	90	3.7	1750	F	12	9.63	\$563	DC1
MT-042		180	1.85	1750	F	12	9.63	\$563	DC1
MT-032	0.5	90	5.3	1750	F	18	10.24	\$644	DC1
MT-043		180	2.78	1750	F	18	10.24	\$644	DC1
MT-035	0.75	90	7.8	1750	F	27	11.67	\$791	DC1
MT-044		180	3.9	1750	F	27	11.67	\$791	DC1
MT-034	1	90	10.4	1750	F	36	13.05	\$930	DC1
MT-037		180	5.2	1750	F	36	13.05	\$930	DC1

NEMA 145TC PMDC Motors

- Optional 90V ratings for both 1.5 HP and 2.0 HP ratings

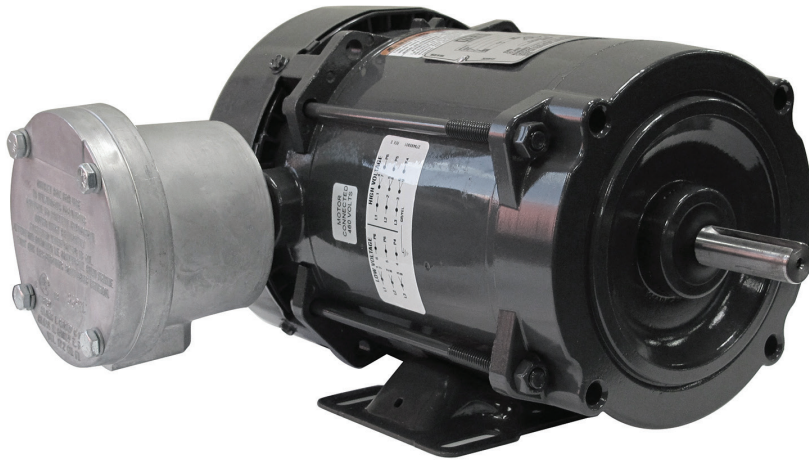
Catalog Number	HP	Voltage	Current	Speed	INSUL	Torque	L Max	List Price	Mult. Symbol
			(Amp)	(RPM)	Class	(In/lbs)	(inches)		
MT-038	1.5	180	8	1750	F	54	15.6	\$1,151	DC1
MT-039	2	180	9.5	1750	F	72	16.5	\$2,093	DC1
MT-040	3	180	14	1750	F	108	18.7	\$2,930	DC1

NEMA 56 Dimensions



NEMA 145TC Dimensions

Fractional Explosion Proof Motors



UL File E312535

Features:

- Class F insulation
- 1.0 service factor
- Foot mount motors with and without C-flange
- Class I, Division 1 – Group C & D and Class II, Division 1 – Group E, F & G – T3B
- Thermally Protected
- 24" long leads for remote wiring
- Aluminum endshields
- Not rated for VFD

Features that make a difference:

- 50°C ambient temperature rating
- Three-Phase motors also rated for 50Hz
- Unassembled aluminum conduit box included

Please contact your authorized WEG distributor or go to weg.net for further information or additional specifications. **1-800-ASK-4WEG**



Fractional Motors



EXPLOSION PROOF SINGLE PHASE



Foot Mount

HP	kW	RPM	Frame	Catalog Number	List Price	Mult. Symbol	Approx. Shipping Weight (lbs)	Service Factor	FL Amps @ High	FL Eff (%)	"C" Dimension (in)	Voltage (V)	Notes
0.33	0.25	3600	56	.3336XS1B56	\$612	XF	23	1.00	2.60	59.7	11.790	115/208-230	1;3;9;42
		1800	56	.3318XS1B56	\$670	XF	25	1.00	3.00	60.4	11.790	115/208-230	1;3;9;42
0.5	0.37	3600	56	.5036XS1B56	\$636	XF	26	1.00	3.40	66.7	12.040	115/208-230	1;3;9;42
		1800	56	.5018XS1B56	\$739	XF	27	1.00	4.20	62.4	12.290	115/208-230	1;3;9;42
0.75	0.55	3600	56	.7536XS1B56	\$717	XF	30	1.00	4.30	74.5	12.540	115/208-230	1;3;9;42
		1800	56	.7518XS1B56	\$868	XF	34	1.00	4.52	70.8	13.040	115/208-230	1;3;9;42
1	0.75	3600	56	00136XS1B56	\$774	XF	32	1.00	5.30	76.5	13.040	115/208-230	1;3;9;42
		1800	56	00118XS1B56	\$988	XF	37	1.00	6.30	74.8	13.790	115/208-230	1;3;9;42
1.5	1.1	3600	56	00156XS1C56	\$1,121	XF	38	1.00	7.80	80.0	14.040	208-230	1;3;9;42
		1800	56H	00158XS1C56H	\$1,324	XF	48	1.00	7.80	80.0	15.420	208-230	1;3;9;42
2	1.5	3600	56H	00236XS1C56H	\$1,408	XF	43	1.00	9.80	81.1	14.540	208-230	1;3;9;42



C-Face - Foot Mount

HP	kW	RPM	Frame	Catalog Number	List Price	Mult. Symbol	Approx. Shipping Weight (lbs)	Service Factor	FL Amps @ High	FL Eff (%)	"C" Dimension (in)	Voltage (V)	Notes
0.33	0.25	3600	56C	.3336XS1B56C	\$737	XF	23	1.00	2.60	59.7	11.790	115/208-230	1;3;9;42
		1800	56C	.3318XS1B56C	\$816	XF	25	1.00	3.00	60.4	11.790	115/208-230	1;3;9;42
0.5	0.37	3600	56C	.5036XS1B56C	\$717	XF	26	1.00	3.40	66.7	12.040	115/208-230	1;3;9;42
		1800	56C	.5018XS1B56C	\$817	XF	27	1.00	4.20	62.4	12.290	115/208-230	1;3;9;42
0.75	0.55	3600	56C	.7536XS1B56C	\$773	XF	30	1.00	4.30	74.5	12.540	115/208-230	1;3;9;42
		1800	56C	.7518XS1B56C	\$912	XF	34	1.00	4.52	70.8	13.040	115/208-230	1;3;9;42
1	0.75	3600	56C	00136XS1B56C	\$814	XF	32	1.00	5.30	76.5	13.040	115/208-230	1;3;9;42
		1800	56C	00118XS1B56C	\$1,036	XF	37	1.00	6.30	74.8	13.790	115/208-230	1;3;9;42
1.5	1.1	3600	56C	00156XS1C56C	\$1,274	XF	38	1.00	7.80	80.0	14.040	208-230	1;3;9;42
		1800	56HC	00158XS1C56HC	\$1,420	XF	48	1.00	7.80	80.0	15.420	208-230	1;3;9;42
2	1.5	3600	56HC	00236XS1C56HC	\$1,457	XF	43	1.00	9.80	81.1	14.540	208-230	1;3;9;42

Fractional Motors

Please refer to inside back cover for description of "NOTES"

For detailed specifications, data sheets, drawings and performance curves visit <http://www.weg.net>



Foot Mount

HP	kW	RPM	Frame	Catalog Number	List Price	Mult. Symbol	Approx. Shipping Weight (lbs)	Service Factor	FL Amps @ High	FL Eff (%)	"C" Dimension (in)	Voltage (V)	Notes
0.33	0.25	3600	56	.3336XS3E56	\$650	XF	21	1.00	0.60	69.8	10.520	230/460	1;3;9;42
		1800	56	.3318XS3E56	\$713	XF	23	1.00	0.60	76.7	10.520	230/460	1;3;9;17;42
0.5	0.37	3600	56	.5036XS3E56	\$782	XF	24	1.00	0.90	73.1	11.790	230/460	1;3;9;42
		1800	56	.5018XS3E56	\$741	XF	27	1.00	0.85	79.1	11.920	230/460	1;3;9;42
0.75	0.55	3600	56	.7536XS3E56	\$815	XF	25	1.00	1.20	77.1	11.790	230/460	1;3;9;42
		1800	56	.7518XS3E56	\$817	XF	28	1.00	1.40	78.6	12.290	230/460	1;3;9;42
1	0.75	3600	56	00136XT3E56	\$858	XF	27	1.00	1.60	77.0	11.920	230/460	1;3;9;42
		1800	56	00118XT3E56	\$922	XF	31	1.00	1.60	85.5	13.660	230/460	1;3;9;42
1.5	1.1	3600	56	00156XT3E56	\$1,050	XF	30	1.00	2.10	84.0	12.780	230/460	1;3;9;42
		1800	56H	00158XT3E56H	\$1,003	XF	41	1.00	2.10	86.5	14.540	230/460	1;3;9;42
2	1.5	3600	56H	00236XT3E56H	\$1,171	XF	35	1.00	2.70	85.5	14.040	230/460	1;3;9;42
		1800	56H	00218XT3E56H	\$1,090	XF	48	1.00	2.70	86.5	15.040	230/460	1;3;9;42



C-Face - Foot Mount

HP	kW	RPM	Frame	Catalog Number	List Price	Mult. Symbol	Approx. Shipping Weight (lbs)	Service Factor	FL Amps @ High	FL Eff (%)	"C" Dimension (in)	Voltage (V)	Notes
0.33	0.25	3600	56C	.3336XS3E56C	\$821	XF	21	1.00	0.60	69.8	10.520	208-230/460	1;3;9;42
		1800	56C	.3318XS3E56C	\$877	XF	23	1.00	0.60	76.7	10.520	208-230/460	1;3;9;17;42
0.5	0.37	3600	56C	.5036XS3E56C	\$856	XF	24	1.00	0.90	73.1	11.790	208-230/460	1;3;9;42
		1800	56C	.5018XS3E56C	\$926	XF	27	1.00	0.85	79.1	11.920	208-230/460	1;3;9;42
0.75	0.55	3600	56C	.7536XS3E56C	\$884	XF	25	1.00	1.20	77.1	11.790	208-230/460	1;3;9;42
		1800	56C	.7518XS3E56C	\$944	XF	28	1.00	1.40	78.6	12.290	208-230/460	1;3;9;42
1	0.75	3600	56C	00136XT3E56C	\$924	XF	27	1.00	1.60	77.0	11.920	230/460	1;3;9;42
		1800	56C	00118XT3E56C	\$1,007	XF	31	1.00	1.60	82.2	13.660	230/460	1;3;9;42
1.5	1.1	3600	56C	00156XT3E56C	\$1,038	XF	30	1.00	2.10	84.0	12.780	230/460	1;3;9;42
		1800	56HC	00158XT3E56HC	\$1,011	XF	41	1.00	2.10	86.5	14.540	230/460	1;3;9;42
2	1.5	3600	56HC	00236XT3E56HC	\$1,125	XF	35	1.00	2.70	85.5	14.040	230/460	1;3;9;42
		1800	56HC	00218XT3E56HC	\$1,162	XF	48	1.00	2.70	86.5	15.040	230/460	1;3;9;42

Please refer to inside back cover for description of "NOTES"

For detailed specifications, data sheets, drawings and performance curves visit <http://www.weg.net>

Data subject to change without notice.

Can't find what you are looking for? Call 1-800-ASK-4WEG (275-4934)

COMMERCIAL HVAC MOTORS

TEFC – Single-Phase – Foot Mount	A-186
TEAO – Single-Phase – Foot Mount	A-186
TEAO – Single-Phase – Resilient Base	A-186
ODP – Single-Phase – Foot Mount	A-187
ODP – Single-Phase – Resilient Base	A-188
ODP – Three-Phase – Resilient Base	A-189
ODP – Single-Phase – Evaporative Cooler	A-189
Yoke Motors	A-189

HVAC MOTORS - WITH INTERNAL AEGIS® SGR

TEFC – Three-Phase – Foot Mount	A-190
ODP – Three-Phase – Foot Mount	A-195

COOLING TOWER MOTORS – THREE-PHASE

TEFC – Three-Phase – Foot Mount – NEMA Premium®	A-199
TEAO – Three-Phase – Foot Mount – NEMA Premium®	A-202
TEFC – Three-Phase – Double Speed (1 & 2 Windings) – High Efficiency	A-204

PAD MOUNT MOTORS – Three-Phase

TEAO – NEMA Premium®	A-208
--------------------------------	-------

Air Handling Motors

COMMERCIAL HVAC MOTORS

TEFC and ODP – Single Phase

High Starting Torque makes these motors ideal for a wide range of applications.

Standard Features:

- Ball bearings
- Class F insulation



TEFC

Resilient Base

ODP

Features that make a difference:

- High Starting Torque
- TEFC motors are rated IP55 (gasketed conduit box and capacitor cover)



TEFC and ODP – Three Phase

Features that make a difference:

- New ventilation system for improved thermal performance
- Robust feet design suitable for tougher applications
- New and more robust eyebolts design (frames 182/4T and up) plus a second eyebolt on non-drive end allowing vertical lifting capability (frames 213/5T and 254/6T)
- Oversized diagonally split aluminum terminal box that exceeds IP55 requirements
- Terminal box rotatable in 90 degree increments for flexibility during installation
- Color coded leads as standard for easy wiring - (rolled steel only)
- Regreasable ball bearings on 254/6T frame as standard (optional for 182/4T and 213/5T)
- IP55 Ingress Protection as standard, being appropriate for severe environments - (TEFC only)
- Bearing cap as standard on flanged motors, optional on non flanged
- Suitable for VFD operation as per NEMA MG1 part 31.4.4.2
- Motor frame painting system 500 hours salt spray resistant



Please refer to inside back cover for description of "NOTES"

For detailed specifications, data sheets, drawings and performance curves visit <http://www.weg.net>

Data subject to change without notice.

Can't find what you are looking for? Call 1-800-ASK-4WEG (275-4934) **A-185**

Air Handling Motors



COMMERCIAL HVAC MOTORS

TEFC - Single-Phase - Foot Mount

HP	kW	RPM	Frame	Catalog Number	List Price	Mult. Symbol	Approx. Shipping Weight (lbs)	Service Factor	FL Amps @ High	FL Eff (%)	"C" Dimension (in)	Voltage (V)	Notes
0.25	0.18	3600	W56	.2536ES1BW56-S	\$257	F1	20	1.15	2.10	50.0	10.713	115/208-230	9
		1800	W56	.2518ES1BW56-S	\$267	F1	20	1.15	2.30	57.0	11.106	115/208-230	9
0.33	0.25	3600	W56	.3336ES1BW56-S	\$267	F1	23	1.15	2.60	54.0	11.106	115/208-230	9
		1800	W56	.3318ES1BW56-S	\$283	F1	22	1.15	3.00	61.0	11.500	115/208-230	9
0.5	0.37	3600	W56	.5036ES1BW56-S	\$284	F1	24	1.15	3.50	60.0	11.500	115/208-230	9
		3600	W56	.5036ES1BOLW56-S	\$316	F1	24	1.15	3.50	60.0	11.500	115/208-230	4;9
		1800	W56	.5018ES1BW56-S	\$312	F1	24	1.15	4.00	64.0	11.894	115/208-230	9
		1200	W56	.5012ES1B56-S	\$512	F1	38	1.15	3.20	71.0	13.508	115/208-230	9
0.75	0.55	3600	56	.7536ES1BOL56-S	\$329	F1	31	1.15	4.00	66.0	12.721	115/208-230	4;9
		3600	56	.7536ES1B56-S	\$297	F1	31	1.15	4.00	66.0	12.721	115/208-230	9
		1800	56	.7518ES1B56-S	\$348	F1	33	1.15	5.30	68.5	13.114	115/208-230	9
		1200	56H	.7512ES1B56-S	\$648	F1	44	1.15	4.70	70.0	14.295	115/208-230	9
1	0.75	3600	56	00136ES1BOL56-S	\$408	F1	35	1.15	5.10	70.0	13.114	115/208-230	4;9
		3600	56	00136ES1B56-S	\$376	F1	34	1.15	5.10	70.0	13.114	115/208-230	9
		1800	56	00118ES1B56-S	\$401	F1	39	1.15	6.80	71.0	13.902	115/208-230	9
1.5	1.1	3600	56	00156ES1B56-S	\$432	F1	39	1.15	6.60	75.0	13.902	115/208-230	9
		3600	56	00156ES1BOL56-S	\$463	F1	39	1.15	6.60	75.0	13.902	115/208-230	4;9
		1800	56H	00158ES1B56-S	\$456	F1	40	1.15	7.50	77.0	15.083	115/208-230	9
2	1.5	3600	56H	00236ES1BOL56-S	\$592	F1	44	1.15	8.70	77.0	14.295	115/208-230	4;9
		3600	56H	00236ES1B56-S	\$561	F1	44	1.15	8.70	77.0	14.295	115/208-230	9



TEAO - Single-Phase - Foot Mount

HP	kW	RPM	Frame	Catalog Number	List Price	Mult. Symbol	Approx. Shipping Weight (lbs)	Service Factor	FL Amps @ High	FL Eff (%)	"C" Dimension (in)	Voltage (V)	Notes
0.33	0.25	1800	48	.3318AS1BPF48-S	\$311	G1	22	1.25	2.76	61.5	10.157	115/208-230	3;9;16
0.5	0.37	1800	W56	.5018AS1BPFW56-S	\$336	G1	27	1.25	4.20	65.0	11.102	115/208-230	3;9;16
0.75	0.55	1800	56	.7518AS1BPF56-S	\$385	G1	26	1.25	5.30	68.5	11.496	115/208-230	3;9
1	0.75	1800	56	00118AS1BPF56-S	\$410	G1	35	1.15	7.00	72.0	12.992	115/208-230	3;9
	0.75	1800	56	00118AS1BPFH56-S	\$445	G1	32	1.40	6.20	73.0	13.464	115/208-230	3;9
1.5	1.10	1800	56	00158AS1BPF56-S	\$458	G1	33	1.15	7.48	77.0	13.464	115/208-230	3;9
	1.10	1800	56	00158AS1BPFH56-S	\$484	G1	34	1.30	8.74	76.0	13.858	115/208-230	3;9
2	1.5	1800	143/5T	00218AS1BPF145T-S	\$548	G1	54	1.15	10.0	78.5%	14.516	115/208-230	3;9



TEAO - Single-Phase - Resilient Base

HP	kW	RPM	Frame	Catalog Number	List Price	Mult. Symbol	Approx. Shipping Weight (lbs)	Service Factor	FL Amps @ High	FL Eff (%)	"C" Dimension (in)	Voltage (V)	Notes
0.33	0.25	1800	48	.3318AS1BRBPF48-S	\$325	G1	20	1.25	2.76	61.5	10.157	115/208-230	3;9;16
0.5	0.37	1800	W56	.5018AS1BRBPFW56-S	\$350	G1	21	1.25	3.48	66.0	11.318	115/208-230	3;9;16
0.75	0.55	1800	56	.7518AS1BRBPF56-S	\$400	G1	26	1.25	5.63	68.5	12.008	115/208-230	3;9
1	0.75	1800	56	00118AS1BRBPF56-S	\$435	G1	35	1.15	7.00	72.0	12.992	115/208-230	3;9
1.5	1.10	1800	56	00158AS1BRBPF56-S	\$477	G1	35	1.15	7.48	77	13.976	115/208-230	3;9

Please refer to inside back cover for description of "NOTES"

For detailed specifications, data sheets, drawings and performance curves visit <http://www.weg.net>



ODP - Single-Phase - Foot Mount

HP	kW	RPM	Frame	Catalog Number	List Price	Mult. Symbol	Approx. Shipping Weight (lbs)	Service Factor	FL Amps @ High	FL. Eff (%)	"C" Dimension (in)	Voltage (V)	Notes
0.12	0.09	1800	48	.12180S1B48-S	\$201	F1B	18	1.40	1.40	50.0	9.098	115/208-230	9
		3600	48	.16360S1B48-S	\$216	F1B	21	1.35	1.40	53.0	9.098	115/208-230	9
0.16	0.12	1800	48	.16180S1B48-S	\$208	F1B	22	1.35	1.70	53.0	9.098	115/208-230	9
		3600	48	.25360T1B48-S	\$253	F2B	19	1.35	1.30	66.6	9.492	115/208-230	9
0.25	0.18	3600	W56	.25360T1BW56-S	\$253	F2B	19	1.35	1.30	66.6	9.866	115/208-230	9
		1800	48	.25180T1B48-S	\$241	F2B	18	1.35	1.60	68.5	9.492	115/208-230	9
		1800	W56	.25180T1BW56-S	\$241	F2B	19	1.35	1.60	68.5	9.866	115/208-230	9
		3600	48	.33360T1B48-S	\$256	F2B	23	1.35	1.60	70.5	9.886	115/208-230	9
0.33	0.25	3600	W56	.33360T1BW56-S	\$257	F2B	23	1.35	1.60	70.5	10.260	115/208-230	9
		1800	48	.33180T1B48-S	\$275	F2B	20	1.35	2.10	72.4	9.886	115/208-230	9
		1800	W56	.33180T1BW56-S	\$275	F2B	21	1.35	2.10	72.4	10.260	115/208-230	9
		3600	48	.50360T1B48-S	\$276	F2B	23	1.25	2.40	72.4	9.886	115/208-230	9
0.5	0.37	3600	W56	.50360T1BW56-S	\$282	F2B	24	1.25	2.40	72.4	10.260	115/208-230	9
		1800	48	.50180T1B48-S	\$318	F2B	23	1.25	2.80	76.2	10.280	115/208-230	9
		1800	W56	.50180T1BW56-S	\$307	F2B	23	1.25	2.80	76.2	10.654	115/208-230	9
		3600	56	.75360T1B56-S	\$320	F2B	30	1.25	3.40	76.2	11.890	115/208-230	9
0.75	0.55	1800	56	.75180T1B56-S	\$387	F2B	38	1.25	3.40	81.8	11.890	115/208-230	9
		3600	56	001360T1B56-S	\$347	F2B	35	1.25	4.30	80.4	11.890	115/208-230	9
1	0.75	1800	56	001180T1B56-S	\$421	F2B	41	1.15	4.50	82.6	12.677	115/208-230	9
		1800	56	001180T1B056-S	\$438	F2B	41	1.15	4.50	82.6	12.677	115/208-230	3;9
		3600	56	001560T1B56-S	\$393	F2B	38	1.15	6.20	81.5	12.284	115/208-230	9
1.5	1.1	1800	56H	001580T1B56-S	\$523	F2B	49	1.15	6.80	83.8	13.071	115/208-230	9
		1800	56H	001580T1B056-S	\$541	F2B	50	1.15	6.80	83.8	13.465	115/208-230	3;9
		3600	56H	002360T1B56-S	\$485	F2B	43	1.15	8.40	82.9	12.677	115/208-230	9
2	1.5	1800	56H	002180T1B56-S	\$626	F2B	54	1.15	9.30	84.5	13.465	115/208-230	9
		3600	56H	003360T1B56-S	\$568	F2B	52	1.15	12.2	84.1	13.465	115/208-230	9

Air Handling Motors

Please refer to inside back cover for description of "NOTES"

For detailed specifications, data sheets, drawings and performance curves visit <http://www.weg.net>

Data subject to change without notice.

Can't find what you are looking for? Call 1-800-ASK-4WEG (275-4934)

Air Handling Motors

COMMERCIAL HVAC MOTORS



ODP - Single-Phase - Resilient Base

HP	kW	RPM	Frame	Catalog Number	List Price	Mult. Symbol	Approx. Shipping Weight (lbs)	Service Factor	FL Amps @ High	FL Eff (%)	"C" Dimension (in)	Voltage (V)	Notes
0.16	0.12	1800	48Z	.16180S1ASPRB048Z-S	\$272	F1B	21	1.35	3.00	50.5	10.138	115	3;9;13;16
		1800	48Z	.16180S1ASPRB48Z-S	\$260	F1B	21	1.35	3.00	50.5	10.138	115	9;13;16
0.25	0.18	1800	48Z	.25180S1BSPRB048Z-S	\$274	F1B	22	1.35	2.10	55.0	10.138	115/208-230	3;9;13;16
		1800	48Z	.25180S1ASPRB048Z-S	\$274	F1B	22	1.35	4.30	55.0	10.138	115	3;9;13;16
		1800	48Z	.25180S1ASPRB48Z-S	\$262	F1B	22	1.35	4.30	55.0	10.138	115	9;13;16
		1800	W56	.25180S1BRFBW56-S	\$283	F1B	18	1.35	2.30	57.0	10.138	115/208-230	3;9;13;42
		1800	W56	.25180S1BRFBW56-S	\$271	F1B	18	1.35	2.30	57.0	10.138	115/208-230	9;13;42
0.33	0.25	1800	48Z	.33180S1BSPRB048Z-S	\$284	F1B	24	1.35	2.60	60.8	10.138	115/208-230	3;9;13;16
		1800	48Z	.33180S1BSPRB48Z-S	\$272	F1B	24	1.35	2.60	60.8	10.138	115/208-230	9;13;16
		1800	W56	.33180S1BSPRBW56-S	\$288	F1B	25	1.35	2.60	62.0	10.138	115/208-230	3;9;13;16
		1800	W56	.33180S1BSPRBW56-S	\$276	F1B	25	1.35	2.60	62.0	10.138	115/208-230	9;13;16
		1800	W56	.33180S1BRFBW56-S	\$281	F1B	20	1.35	3.10	60.0	10.531	115/208-230	9;13;42
		1800	W56	.33180S1BRFBW56-S	\$293	F1B	20	1.35	3.10	60.0	10.531	115/208-230	3;9;13;42
		1800	W56	.33180T1BRBOW56-S	\$325	F2B	24	1.35	2.10	72.4	10.925	115/208-230	3;9;13
0.5	0.37	1800	48Z	.50180S1BSPRB048Z-S	\$311	F1B	29	1.25	3.70	63.5	10.925	115/208-230	3;9;13;16
		1800	48Z	.50180S1BSPRB48Z-S	\$299	F1B	29	1.25	3.70	63.5	10.925	115/208-230	9;13;16
		1800	W56	.50180S1BRFBW56-S	\$325	F1B	21	1.25	4.10	63.0	10.925	115/208-230	3;9;13;42
		1800	W56	.50180S1BRFBW56-S	\$313	F1B	21	1.25	4.10	63.0	10.925	115/208-230	9;13;42
		1800	W56	.50180S1BSPRBW56-S	\$316	F1B	30	1.25	3.70	63.5	10.945	115/208-230	3;9;13;16
		1800	W56	.50180S1BSPRBW56-S	\$304	F1B	30	1.25	3.70	63.5	10.945	115/208-230	9;13;16
		1800	W56	.50180T1BRBOW56-S	\$368	F2B	26	1.25	2.75	76.2	11.319	115/208-230	3;9;13
0.75	0.55	1800	W56	.75180S1BRFBW56-S	\$379	F1B	23	1.25	5.30	69.0	12.008	115/208-230	3;9;13;42
		1800	W56	.75180S1BRFBW56-S	\$367	F1B	23	1.25	5.30	69.0	12.008	115/208-230	9;13;42
		1800	56	.75180T1BRBOW56-S	\$434	F2B	38	1.25	3.40	81.8	12.402	115/208-230	3;9;13
1	0.75	1800	W56	001180S1BRFBW56-S	\$408	F1B	25	1.15	6.80	71.0	12.402	115/208-230	3;9;13;42
		1800	W56	001180S1BRFBW56-S	\$396	F1B	25	1.15	6.80	71.0	12.402	115/208-230	9;13;42
		1800	56	001180T1BRBOW56-S	\$468	F2B	43	1.15	4.50	82.6	13.189	115/208-230	3;9;13
1.5	1.1	3600	56	001560T1BRBOW56-S	\$450	F2B	39	1.15	6.20	81.5	12.795	115/208-230	3;9;13
		1800	56H	001580T1BRBOW56-S	\$570	F2B	50	1.15	6.80	83.8	13.583	115/208-230	3;9;13
2	1.5	1800	56H	002180T1BRBOW56H-S	\$616	F2B	57	1.15	9.30	84.5	14.373	115/208-230	3;9;13

Air Handling Motors

Please refer to inside back cover for description of "NOTES"

For detailed specifications, data sheets, drawings and performance curves visit <http://www.weg.net>



ODP - Three-Phase - Resilient Base

HP	kW	RPM	Frame	Catalog Number	List Price	Mult. Symbol	Approx. Shipping Weight (lbs)	Service Factor	FL Amps @ High	FL. Eff (%)	"C" Dimension (in)	Voltage (V)	Notes
0.33	0.25	1800	56	.33180T3ERB56-S	\$314	F2B	22	1.35	0.67	73.4	10.827	230/460	9;13
0.5	0.37	1800	56	.50180T3ERB56-S	\$354	F2B	25	1.25	0.86	78.2	11.220	230/460	9;13
0.75	0.55	1800	56	.75180T3ERB56-S	\$388	F2B	28	1.25	1.15	81.1	11.614	230/460	9;13
1	0.75	1800	56	.001180T3ERB56-S	\$408	F2B	31	1.15	1.57	83.5	12.008	230/460	9;13
1.5	1.1	1800	56H	.001580T3ERB56-S	\$419	F2B	42	1.15	2.10	86.5	13.189	230/460	9;13



ODP - Single-Phase - Evaporative Cooler

HP	kW	RPM	Frame	Catalog Number	List Price	Mult. Symbol	Approx. Shipping Weight (lbs)	Service Factor	FL Amps @ High	FL. Eff (%)	"C" Dimension (in)	Voltage (V)	Notes
0.33	0.25	1800	56	.33180S1AEC56	\$156	F1B	19	1.00	6.60	49.8	9.530	115	1;3;9;16
0.33/0.11	0.25/0.08	1800/1200	56	.33820S1AEC56	\$188	F1B	21	1.00	6.60/3.70	49.8/33.6	9.530	115	1;3;9;16,51
0.5	0.37	1800	56	.50180S1AEC56	\$164	F1B	21	1.00	8.20	58.0	9.530	115	1;3;9;16
		1800	56	.50180S1DEC56	\$166	F1B	21	1.00	4.80	54.0	9.530	240	1;3;9;16
0.5/0.16	0.37/0.12	1800/1200	56	.50820S1AEC56	\$199	F1B	24	1.00	8.20/4.60	58.0/42.4	9.530	115	1;3;9
		1800/1200	56	.50820S1DEC56	\$220	F1B	24	1.00	4.80/2.10	54.0/39.6	9.530	240	1;3;9
0.75	0.55	1800	56	.75180S1AEC56	\$201	F1B	24	1.00	10.40	61.9	9.530	115	1;3;9
		1800	56	.75180S1DEC56	\$201	F1B	28	1.00	5.50	59.2	9.530	240	1;3;9
0.75/0.25	0.55/0.18	1800/1200	56	.75820S1AEC56	\$251	F1B	26	1.00	10.4/5.50	61.9/42.8	9.530	115	1;3;9
		1800/1200	56	.75820S1DEC56	\$267	F1B	27	1.00	5.50/2.60	59.0/47.4	9.530	240	1;3;9
1/0.33	0.75/0.25	1800/1200	56	.001820S1AEC56	\$364	F1B	32	1.00	12.1/7.10	65.1/49.1	10.960	115	1;3;9
		1800/1200	56	.001820S1DEC56	\$389	F1B	33	1.00	6.45/3.06	66.7/51.1	10.960	240	1;3;9

Air Handling Motors

Yoke Motors

Standard Features:

- Lightweight Design
- Ball Bearings (Lubed for Life)
- Permanent Split Capacitor (start-up with no switch)
- Quiet & Powerful Performance
- Sturdy Yoke Mount

- Terminal Block for Easy Wiring
- Automatic Overload protection
- Dual Voltage compatibility
- Extended Thru bolts (10x32 UNF - 5.188 BC)
- Two-speed operation: Connect motor for 230V arrangement, feed with 115V for approx. 70% of rated speed.



HP	kW	RPM	Frame	Catalog Number	List Price	Mult. Symbol	Approx. Shipping Weight (lbs)	Service Factor	FL Amps @ High	FL. Eff (%)	"C" Dimension (in)	Voltage (V)	Notes
0.25	0.18	1800	48	.2518AS1RYM48Y-S	200	G1	9	1	1.30	64.00	9.7	115/230	
		1200	48	.2512AS1RYM48Y-S	205	G1	17	1	1.50	60.00	9.7	115/230	
0.33	0.25	1800	48	.3318AS1RYM48Y-S	215	G1	18	1	1.80	65.20	10.3	115/230	
		1200	48	.3312AS1RYM48Y-S	220	G1	19	1	1.75	61.00	9.7	115/230	
0.5	0.37	1800	48	.5018AS1RYM48Y-S	218	G1	16	1	2.40	68.00	10.5	115/230	
0.33	0.25	1200	48	.5012AS1RYM48Y-S	225	G1	20	1	3.10	66.00	10.7	115/230	

Please refer to inside back cover for description of "NOTES"

For detailed specifications, data sheets, drawings and performance curves visit <http://www.weg.net>

Data subject to change without notice.

Can't find what you are looking for? Call 1-800-ASK-4WEG (275-4934)

Air Handling Motors

HVAC MOTORS - WITH INTERNAL AEGIS® SGR



TEFC - Three-Phase - Foot Mount and Foot Mount with C-Face

HP	kW	RPM	Frame	Catalog Number	List Price	Mult. Symbol	Approx. Shipping Weight (lbs)	Service Factor	FL Amps @ High	FL. Eff (%)	"C" Dimension (in)	Voltage (V)	Notes
1	0.75	3600	143/5T	00136ET3E143T-SG	\$560	RSP	31	1.15	1.40	78.5	13.189	230/460	9;34
		3600	143/5T	00136ET3H143T-SG	\$560	RSP	31	1.15	1.10	78.5	13.189	575	9;34
		3600	143/5T	00136ET3H143T-W22G	\$678	N1	44	1.25	1.15	81.5	13.358	575	34
		3600	143/5T	00136ET3E143T-W22G	\$678	N1	45	1.25	1.44	81.5	13.358	230/460	34
		1800	143/5T	00118ET3E143T-SG	\$599	RSP	42	1.15	1.50	85.5	13.583	230/460	9;34
		1800	143/5T	00118ET3H143T-SG	\$599	RSP	42	1.15	1.20	85.5	13.583	575	9;34
		1800	143/5T	00118ET3V143T-SG	\$599	RSP	42	1.15	1.70	85.5	13.583	200/400	9;34
		1800	143/5T	00118ET3E143T-W22G	\$667	N1	48	1.25	1.47	85.5	13.358	230/460	34
		1800	143/5T	00118ET3E143TC-W22G	\$695	N1	50	1.25	1.47	85.5	13.358	230/460	34
		1800	143/5T	00118ET3H143T-W22G	\$667	N1	48	1.25	1.18	85.5	13.358	575	34
		1200	143/5T	00112ET3E145T-SG	\$669	RSP	43	1.15	1.60	82.5	13.583	230/460	9;34
		1200	143/5T	00112ET3H145T-SG	\$669	RSP	43	1.15	1.30	82.5	13.583	575	9;34
		1200	143/5T	00112ET3H145T-W22G	\$748	N1	55	1.25	1.38	82.5	13.358	575	34
		1200	143/5T	00112ET3E145T-W22G	\$748	N1	55	1.25	1.73	82.5	13.358	230/460	34
1.5	1.1	3600	143/5T	00156ET3E143T-SG	\$613	RSP	39	1.15	1.90	84.0	13.189	230/460	9;34
		3600	143/5T	00156ET3H143T-SG	\$613	RSP	39	1.15	1.50	84.0	13.189	575	9;34
		3600	143/5T	00156ET3E143T-W22G	\$683	N1	49	1.25	1.96	84.0	13.358	230/460	34
		3600	143/5T	00156ET3H143T-W22G	\$683	N1	49	1.25	1.57	84.0	13.358	575	34
		1800	143/5T	00158ET3E145T-SG	\$620	RSP	43	1.15	2.00	86.5	13.583	230/460	9;34
		1800	143/5T	00158ET3H145T-SG	\$620	RSP	43	1.15	1.60	86.5	13.583	575	9;34
		1800	143/5T	00158ET3E145TC-W22G	\$719	N1	56	1.25	2.02	86.5	13.358	230/460	34
		1800	143/5T	00158ET3E145T-W22G	\$691	N1	53	1.25	2.02	86.5	13.358	230/460	34
		1800	143/5T	00158ET3V145T-SG	\$620	RSP	43	1.15	2.30	86.5	13.583	200/400	9;34
		1800	143/5T	00158ET3H145T-W22G	\$691	N1	53	1.25	1.62	86.5	13.358	575	34
		1200	182/4T	00152ET3E182T-SG	\$826	RSP	76	1.15	2.20	87.5	16.339	230/460	9;34
		1200	182/4T	00152ET3H182T-SG	\$826	RSP	76	1.15	1.80	87.5	16.339	575	9;34
		1200	182/4T	00152ET3H182T-W22G	\$924	N1	97	1.25	2.03	87.5	15.860	575	34
		1200	182/4T	00152ET3E182T-W22G	\$924	N1	97	1.25	2.54	87.5	15.860	230/460	34
2	1.5	3600	143/5T	00236ET3E145T-SG	\$654	RSP	45	1.15	2.50	85.5	13.976	230/460	9;34
		3600	143/5T	00236ET3H145T-SG	\$654	RSP	45	1.15	2.00	85.5	13.976	575	9;34
		3600	143/5T	00236ET3H145T-W22G	\$731	N1	54	1.25	2.05	85.5	13.358	575	34
		3600	143/5T	00236ET3E145T-W22G	\$731	N1	54	1.25	2.56	85.5	13.358	230/460	34
		1800	143/5T	00218ET3E145T-SG	\$673	RSP	47	1.15	2.70	86.5	13.976	230/460	9;34
		1800	143/5T	00218ET3E145T-W22G	\$708	N1	56	1.25	2.61	86.5	13.346	230/460	34
		1800	143/5T	00218ET3H145T-SG	\$673	RSP	47	1.15	2.20	86.5	13.976	575	9;34
		1800	143/5T	00218ET3V145T-SG	\$673	RSP	47	1.15	3.10	86.5	13.976	200/400	9;34
		1800	143/5T	00218ET3H145T-W22G	\$752	N1	54	1.25	2.21	86.5	13.358	575	34
		1800	143/5T	00218ET3E145TC-W22G	\$780	N1	53	1.25	2.76	86.5	13.358	230/460	34
		1200	182/4T	00212ET3E184T-SG	\$883	RSP	86	1.15	3.00	88.5	17.126	230/460	9;34
		1200	182/4T	00212ET3H184T-SG	\$883	RSP	86	1.15	2.40	88.5	17.126	575	9;34
		1200	182/4T	00212ET3H184T-W22G	\$989	N1	103	1.25	2.58	88.5	15.860	575	34;39
		1200	182/4T	00212ET3E184T-W22G	\$989	N1	108	1.25	3.22	88.5	15.860	230/460	34;39

continued on next page

Please refer to inside back cover for description of "NOTES"

For detailed specifications, data sheets, drawings and performance curves visit <http://www.weg.net>



TEFC - Three-Phase - Foot Mount and Foot Mount with C-Face - *continued*

HP	kW	RPM	Frame	Catalog Number	List Price	Mult. Symbol	Approx. Shipping Weight (lbs)	Service Factor	FL Amps @ High	FL. Eff (%)	"C" Dimension (in)	Voltage (V)	Notes
3	2.2	3600	182/4T	00336ET3E182T-SG	\$835	RSP	63	1.15	3.70	86.5	15.551	230/460	9;34
		3600	182/4T	00336ET3H182T-SG	\$835	RSP	63	1.15	3.00	86.5	15.551	575	9;34
		3600	182/4T	00336ET3E182T-W22G	\$933	N1	99	1.25	3.63	86.5	15.860	230/460	34
		3600	182/4T	00336ET3H182T-W22G	\$933	N1	99	1.25	2.90	86.5	15.860	575	34
		1800	182/4T	00318ET3E182T-SG	\$747	RSP	87	1.15	3.80	89.5	17.913	230/460	9;34
		1800	182/4TC	00318ET3E182TC-SG	\$780	RSP	87	1.15	3.80	89.5	17.913	230/460	9;34;51
		1800	182/4T	00318ET3H182T-SG	\$747	RSP	87	1.15	3.00	89.5	17.913	575	9;34
		1800	182/4T	00318ET3V182T-SG	\$747	RSP	87	1.15	4.40	89.5	17.913	200/400	9;34
		1800	182/4T	00318ET3E182T-W22G	\$833	N1	92	1.25	3.91	89.5	15.860	230/460	34
		1800	182/4T	00318ET3E182TC-W22G	\$870	N1	96	1.25	3.91	89.5	15.860	230/460	34
		1800	182/4T	00318ET3H182T-W22G	\$833	N1	94	1.25	3.13	89.5	15.860	575	34
		1200	213/5T	00312ET3E213T-SG	\$1,183	RSP	134	1.15	4.20	89.5	19.291	230/460	9;34
		1200	213/5T	00312ET3H213T-SG	\$1,183	RSP	134	1.15	3.40	89.5	19.291	575	9;34;51
		1200	213/5T	00312ET3E213T-W22G	\$1,329	N1	160	1.25	4.41	89.5	19.517	230/460	34
1200	213/5T	00312ET3H213T-W22G	\$1,329	N1	163	1.25	3.53	89.5	19.517	575	34		
5	3.7	3600	182/4T	00536ET3E184T-SG	\$930	RSP	83	1.15	5.90	88.5	16.732	230/460	9;34
		3600	182/4TC	00536ET3E184TC-SG	\$963	RSP	92	1.15	5.90	88.5	16.732	230/460	9;34;51
		3600	182/4T	00536ET3H184T-SG	\$930	RSP	111	1.15	4.70	88.5	17.126	575	9;34
		3600	182/4T	00536ET3E184T-W22G	\$1,043	N1	103	1.25	5.90	88.5	15.860	230/460	34
		3600	182/4T	00536ET3H184T-W22G	\$1,043	N1	106	1.25	4.72	88.5	15.860	575	34
		1800	182/4T	00518ET3E184T-SG	\$842	RSP	81	1.15	6.50	89.5	17.913	230/460	9;34
		1800	182/4TC	00518ET3E184TC-SG	\$876	RSP	81	1.15	6.50	89.5	17.913	230/460	9;34;51
		1800	182/4T	00518ET3H184T-SG	\$842	RSP	81	1.15	5.20	89.5	17.913	575	9;34
		1800	182/4T	00518ET3V184T-SG	\$842	RSP	81	1.15	7.50	89.5	17.913	200/400	9;34
		1800	182/4T	00518ET3E184TC-W22G	\$980	N1	107	1.25	6.45	89.5	15.860	230/460	34
		1800	182/4T	00518ET3H184T-W22G	\$942	N1	104	1.25	5.16	89.5	15.860	575	34
		1200	213/5T	00512ET3E215T-SG	\$1,360	RSP	153	1.15	6.70	89.5	20.079	230/460	9;34
		1200	213/5T	00512ET3H215T-SG	\$1,360	RSP	153	1.15	5.40	89.5	20.079	575	9;34
		7.5	5.5	3600	213/5T	00736ET3E213T-SRG	\$1,298	RSP	143	1.15	8.67	89.5	18.897
3600	213/5T			00736ET3E213T-SG	\$1,180	RSP	124	1.15	8.70	89.5	18.897	230/460	9;34
3600	213/5TC			00736ET3E213TC-SG	\$1,225	RSP	134	1.15	8.70	89.5	18.897	230/460	9;34;51
3600	213/5T			00736ET3H213T-SG	\$1,180	RSP	143	1.15	7.00	89.5	18.898	575	9;34
3600	213/5T			00736ET3E213T-W22G	\$1,325	N1	149	1.25	8.76	89.5	19.517	230/460	34
3600	213/5T			00736ET3H213T-W22G	\$1,325	N1	163	1.25	7.01	89.5	19.517	575	34
1800	213/5T			00718ET3E213T-SG	\$1,148	RSP	131	1.15	9.10	91.7	18.898	230/460	9;34
1800	213/5TC			00718ET3E213TC-SG	\$1,194	RSP	140	1.15	9.10	91.7	18.898	230/460	9;34;51
1800	213/5T			00718ET3H213T-SG	\$1,148	RSP	131	1.15	7.30	91.7	18.898	575	9;34
1800	213/5T			00718ET3V213T-SG	\$1,148	RSP	131	1.15	10.5	91.7	18.898	200/400	9;34
1800	213/5T			00718ET3E213TC-W22G	\$1,341	N1	174	1.25	9.18	91.7	19.517	230/460	34
1800	213/5T			00718ET3E213T-W22G	\$1,289	N1	170	1.25	9.18	91.7	19.517	230/460	34
1800	213/5T			00718ET3H213T-W22G	\$1,289	N1	174	1.25	7.34	91.7	19.517	575	34
1200	254/6T			00712ET3E254T-SG	\$2,079	RSP	232	1.15	10.0	91.0	22.559	230/460	9;34
1200	254/6T			00712ET3H254T-SG	\$2,079	RSP	232	1.15	8.00	91.0	22.559	575	9;34
1200	254/6T			00712ET3E254T-W22G	\$2,345	N1	300	1.25	9.48	91.0	24.945	230/460	34
1200	254/6T			00712ET3H254T-W22G	\$2,345	N1	316	1.25	7.58	91.0	24.945	575	34

continued on next page

Please refer to inside back cover for description of "NOTES"

For detailed specifications, data sheets, drawings and performance curves visit <http://www.weg.net>

Data subject to change without notice.

Can't find what you are looking for? Call 1-800-ASK-4WEG (275-4934)

HP	kW	RPM	Frame	Catalog Number	List Price	Mult. Symbol	Approx. Shipping Weight (lbs)	Service Factor	FL Amps @ High	FL. Eff (%)	"C" Dimension (in)	Voltage (V)	Notes
10	7.5	3600	213/5T	01036ET3E215T-SRG	\$1,496	RSP	178	1.15	11.5	90.2	19.291	230/460	9;34
		3600	213/5T	01036ET3E215T-SG	\$1,360	RSP	157	1.15	11.5	90.2	20.079	230/460	9;34
		3600	213/5T	01036ET3E215T-W22G	\$1,532	N1	172	1.25	11.60	90.2	19.517	230/460	34
		3600	213/5T	01036ET3H215T-W22G	\$1,532	N1	180	1.25	9.28	90.2	19.517	575	34
		3600	213/5TC	01036ET3E215TC-SG	\$1,405	RSP	178	1.15	11.5	90.2	21.654	230/460	9;34;51
		3600	213/5T	01036ET3H215T-SG	\$1,360	RSP	156	1.15	9.20	90.2	20.079	575	9;34
		1800	213/5T	01018ET3E215T-SG	\$1,310	RSP	141	1.15	12.2	91.7	19.291	230/460	9;34
		1800	213/5TC	01018ET3E215TC-SG	\$1,354	RSP	151	1.15	12.2	91.7	19.291	230/460	9;34;51
		1800	213/5T	01018ET3H215T-SG	\$1,310	RSP	141	1.15	9.80	91.7	19.291	575	9;34
		1800	213/5T	01018ET3V215T-SG	\$1,310	RSP	141	1.15	14.0	91.7	19.291	200/400	9;34
		1800	213/5T	01018ET3E215TC-W22G	\$1,525	N1	183	1.25	12.40	91.7	19.517	230/460	34
		1800	213/5T	01018ET3H215T-W22G	\$1,473	N1	188	1.25	9.92	91.7	19.517	575	34
		1200	254/6T	01012ET3E256T-SG	\$2,368	RSP	263	1.15	13.8	91.0	23.346	230/460	9;34
		1200	254/6T	01012ET3H256T-SG	\$2,368	RSP	263	1.15	11.0	91.0	23.346	575	9;34
		1200	254/6T	01012ET3E256T-W22G	\$2,676	N1	318	1.25	12.90	91.0	24.945	230/460	34
		1200	254/6T	01012ET3H256T-W22G	\$2,676	N1	325	1.25	10.30	91.0	24.945	575	34
15	11	3600	254/6T	01536ET3E254T-SG	\$1,869	RSP	216	1.15	17.4	91.0	22.559	230/460	9;34
		3600	254/6TC	01536ET3E254TC-SG	\$1,929	RSP	216	1.15	17.4	91.0	22.559	230/460	9;34;51
		3600	254/6T	01536ET3H254T-SG	\$1,869	RSP	216	1.15	13.9	91.0	22.559	575	9;34
		3600	254/6T	01536ET3E254T-W22G	\$2,104	N1	300	1.25	17.2	91.0	24.945	230/460	9;34
		3600	254/6T	01536ET3H254T-W22G	\$2,104	N1	298	1.25	13.80	91.0	24.945	575	34
		1800	254/6T	01518ET3E254T-SG	\$1,890	RSP	234	1.15	18.2	92.4	22.559	230/460	9;34
		1800	254/6TC	01518ET3E254TC-SG	\$1,950	RSP	248	1.15	18.2	92.4	22.559	230/460	9;34
		1800	254/6T	01518ET3H254T-SG	\$1,890	RSP	234	1.15	14.6	92.4	22.559	575	34
		1800	254/6T	01518ET3V254T-SG	\$1,890	RSP	234	1.15	20.9	92.4	22.559	200/400	34
		1800	254/6T	01518ET3E254TC-W22G	\$2,197	N1	340	1.25	18.00	92.4	24.945	230/460	34
		1800	254/6T	01518ET3E254T-W22G	\$2,128	N1	349	1.25	18.0	92.4	24.961	230/460	9;34;51
		1800	254/6T	01518ET3H254T-W22G	\$2,128	N1	347	1.25	14.40	92.4	24.945	575	34
		1200	284/6TS	01512ET3E284TS-W22G	\$3,601	N1	360	1.25	17.9	91.7	26.557	230/460	34
		1200	284/6T	01512ET3E284T-W22G	\$3,601	N1	422	1.25	17.9	91.7	27.929	230/460	9;34
		1200	284/6TS	01512ET3H284TS-W22G	\$3,601	N1	360	1.25	14.3	91.7	26.557	575	9;34;51
		1200	284/6T	01512ET3H284T-W22G	\$3,601	N1	420	1.25	14.30	91.7	27.929	575	34
20	15	3600	254/6T	02036ET3E256T-SG	\$2,356	RSP	242	1.15	22.7	91.0	23.346	230/460	9;34
		3600	254/6TC	02036ET3E256TC-SG	\$2,416	RSP	245	1.15	22.7	91.0	23.346	230/460	9;34
		3600	254/6T	02036ET3H256T-SG	\$2,356	RSP	242	1.15	18.2	91.0	23.346	575	9;34;51
		3600	254/6T	02036ET3E256T-W22G	\$2,662	N1	325	1.25	23.2	91.0	24.961	230/460	9;34
		3600	254/6T	02036ET3H256T-W22G	\$2,662	N1	323	1.25	18.60	91.0	24.945	575	34
		1800	254/6T	02018ET3E256T-SG	\$2,198	RSP	265	1.15	24.7	92.4	23.346	230/460	9;34;51
		1800	254/6TC	02018ET3E256TC-SG	\$2,258	RSP	279	1.15	24.7	93.0	23.346	230/460	34
		1800	254/6T	02018ET3H256T-SG	\$2,198	RSP	265	1.15	19.8	93.0	23.346	575	34
		1800	254/6T	02018ET3V256T-SG	\$2,198	RSP	265	1.15	28.4	93.0	23.346	200/400	34
		1800	254/6T	02018ET3E256T-W22G	\$2,481	N1	386	1.25	24.10	93.0	24.945	230/460	34
		1800	254/6T	02018ET3E256TC-W22G	\$2,550	N1	389	1.25	24.10	93.0	24.945	230/460	34
		1800	254/6T	02018ET3H256T-W22G	\$2,481	N1	396	1.25	19.30	93.0	24.945	575	34
		1200	284/6T	02012ET3E286T-W22G	\$4,272	N1	449	1.25	24.2	91.7	27.929	230/460	34
		1200	284/6T	02012ET3H286T-W22G	\$4,272	N1	450	1.25	19.4	91.7	27.929	575	34

continued on next page

Please refer to inside back cover for description of "NOTES"

For detailed specifications, data sheets, drawings and performance curves visit <http://www.weg.net>



TEFC - Three-Phase - Foot Mount and Foot Mount with C-Face - *continued*

HP	kW	RPM	Frame	Catalog Number	List Price	Mult. Symbol	Approx. Shipping Weight (lbs)	Service Factor	FL Amps @ High	FL Eff (%)	"C" Dimension (in)	Voltage (V)	Notes
25	18.5	3600	284/6TS	02536ET3E284TS-W22G	\$3,308	N1	406	1.25	28.5	91.7	26.557	230/460	34
		3600	284/6TS	02536ET3H284TS-W22G	\$3,308	N1	400	1.25	22.8	91.7	26.557	575	34
		1800	284/6T	02518ET3E284T-W22G	\$3,053	N1	440	1.25	29.5	93.6	27.929	230/460	34
		1800	284/6T	02518ET3H284T-W22G	\$3,053	N1	439	1.25	23.6	93.6	27.929	575	34
		1800	284/6T	02518ET3V284T-W22G	\$3,053	N1	440	1.25	33.9	93.6	27.929	200/400	34
		1800	284/6T	02518ET3E284TC-W22G	\$3,151	N1	418	1.25	29.50	93.6	27.929	230/460	34
		1200	324/6T	02512ET3E324T-W22G	\$5,137	N1	585	1.25	30.4	93.0	31.116	230/460	34
		1200	324/6T	02512ET3H324T-W22G	\$5,137	N1	569	1.25	24.3	93.0	31.116	575	34
30	22	3600	284/6TS	03036ET3E286TS-W22G	\$3,871	N1	425	1.25	33.8	91.7	26.557	230/460	34
		3600	284/6TS	03036ET3H286TS-W22G	\$3,871	N1	430	1.25	27.0	91.7	26.557	575	34
		1800	284/6T	03018ET3E286T-W22G	\$3,533	N1	478	1.25	35.1	93.6	27.929	230/460	34
		1800	284/6TC	03018ET3E286TC-W22G	\$3,632	N1	486	1.25	35.1	93.6	27.929	230/460	34
		1800	284/6T	03018ET3H286T-W22G	\$3,533	N1	476	1.25	28.1	93.6	27.929	575	34
		1800	284/6T	03018ET3V286T-W22G	\$3,533	N1	479	1.25	40.4	93.6	27.929	200/400	34
		1200	324/6T	03012ET3E326T-W22G	\$5,673	N1	629	1.25	36.2	93.0	31.116	230/460	34
		1200	324/6TC	03012ET3E326TC-W22G	\$5,794	N1	621	1.25	36.2	93.0	31.116	230/460	34,51
1200	324/6T	03012ET3H326T-W22G	\$5,673	N1	621	1.25	29.0	93.0	31.116	575	34		
40	30	3600	324/6TS	04036ET3E324TS-W22G	\$5,125	N1	590	1.25	45.8	92.4	29.616	230/460	34
		3600	324/6TS	04036ET3H324TS-W22G	\$5,125	N1	572	1.25	36.6	92.4	29.616	575	34
		1800	324/6T	04018ET3E324T-W22G	\$4,578	N1	615	1.25	47.1	94.1	31.116	230/460	34
		1800	324/6T	04018ET3H324T-W22G	\$4,578	N1	614	1.25	37.7	94.1	31.116	575	34
		1800	324/6T	04018ET3V324T-W22G	\$4,578	N1	616	1.25	54.2	94.1	31.116	200/400	34
		1800	324/6T	04018ET3E324TC-W22G	\$4,700	N1	606	1.25	47.10	94.1	31.116	230/460	34
		1200	364/5T	04012ET3E364T-W22G	\$8,124	N1	1004	1.25	46.5	94.1	34.251	230/460	34
		1200	364/5T	04012ET3H364T-W22G	\$8,124	N1	950	1.25	37.2	94.1	34.251	575	34
50	37	3600	324/6TS	05036ET3E326TS-W22G	\$5,716	N1	612	1.25	56.1	93.0	29.616	230/460	34
		3600	324/6TS	05036ET3H326TS-W22G	\$5,716	N1	605	1.25	44.9	93.0	29.616	575	34
		1800	324/6T	05018ET3E326T-W22G	\$5,500	N1	638	1.25	59.2	94.5	31.116	230/460	34
		1800	324/6T	05018ET3H326T-W22G	\$5,500	N1	634	1.25	47.4	94.5	31.116	575	34
		1800	324/6T	05018ET3V326T-W22G	\$5,500	N1	637	1.25	68.1	94.5	31.116	200/400	34,51
		1200	364/5T	05012ET3E365T-W22G	\$9,358	N1	1021	1.25	57.4	94.1	34.251	230/460	34
		1200	364/5T	05012ET3H365T-W22G	\$9,358	N1	1009	1.25	45.9	94.1	34.251	575	34
		60	45	3600	364/5TS	06036ET3E364TS-W22G	\$8,392	N1	962	1.25	67.0	93.6	32.338
3600	364/5TS			06036ET3H364TS-W22G	\$8,392	N1	954	1.25	53.6	93.6	32.338	575	34,51
1800	364/5T			06018ET3E364T-W22G	\$8,229	N1	1029	1.25	68.3	95.0	34.251	230/460	34
1800	364/5T			06018ET3H364T-W22G	\$8,229	N1	1027	1.25	54.6	95.0	34.251	575	34
1200	404/5T			06012ET3E404T-W22G	\$11,697	N1	1213	1.25	69.5	94.5	39.730	230/460	34
1200	404/5T			06012ET3H404T-W22G	\$11,697	N1	1213	1.25	55.6	94.5	39.730	575	34
75	55	3600	364/5TS	07536ET3E365TS-W22G	\$9,931	N1	965	1.25	81.9	93.6	32.338	230/460	34
		3600	364/5TS	07536ET3H365TS-W22G	\$9,931	N1	967	1.25	65.5	93.6	32.338	575	34,51
		1800	364/5T	07518ET3E365T-W22G	\$9,545	N1	1046	1.25	84.1	95.4	34.251	230/460	34
		1800	364/5TC	07518ET3E365TC-W22G	\$9,988	N1	1041	1.25	84.1	95.4	34.251	230/460	34,51
		1800	364/5T	07518ET3H365T-W22G	\$9,545	N1	1044	1.25	67.3	95.4	34.251	575	34
		1200	404/5T	07512ET3E405T-W22G	\$13,258	N1	882	1.25	84.9	94.5	39.730	230/460	34
		1200	404/5T	07512ET3H405T-W22G	\$13,258	N1	882	1.25	67.9	94.5	39.730	575	34

continued on next page

Please refer to inside back cover for description of "NOTES"

For detailed specifications, data sheets, drawings and performance curves visit <http://www.weg.net>

Data subject to change without notice.

Can't find what you are looking for? Call 1-800-ASK-4WEG (275-4934)

TEFC - Three-Phase - Foot Mount and Foot Mount with C-Face - *continued*

HP	kW	RPM	Frame	Catalog Number	List Price	Mult. Symbol	Approx. Shipping Weight (lbs)	Service Factor	FL Amps @ High	FL. Eff (%)	"C" Dimension (in)	Voltage (V)	Notes
100	75	3600	404/5TS	10036ET3E405TS-W22G	\$13,202	N1	1193	1.25	110	94.1	36.732	230/460	34
		1800	404/5T	10018ET3E405T-W22G	\$12,889	N1	1283	1.25	111	95.4	39.730	230/460	34
		1800	404/5T	10018ET3H405T-W22G	\$12,889	N1	1292	1.25	88.8	95.4	39.730	575	34
		1200	444/5T	10012ET3E444T-W22G	\$17,181	N1	1885	1.25	121	95.0	45.157	230/460	34
		1200	444/5T	10012ET3H444T-W22G	\$17,181	N1	1885	1.25	96.8	95.0	45.157	575	34
125	90	3600	444/5TS	12536ET3E444TS-W22G	\$16,900	N1	1836	1.15	134	95.0	41.407	230/460	34
		3600	444/5TS	12536ET3H444TS-W22G	\$16,900	N1	1836	1.15	107	95.0	41.407	575	34
		1800	444/5T	12518ET3E444T-W22G	\$16,298	N1	1824	1.15	139	95.4	45.157	230/460	34
		1800	444/5TC	12518ET3E444TC-W22G	\$16,904	N1	1861	1.15	139	95.4	45.157	230/460	34
		1800	444/5T	12518ET3H444T-W22G	\$16,298	N1	1824	1.15	111	95.4	45.157	575	34
		1800	444/5TC	12518ET3G444TC-W22G	\$17,768	N1	1754	1.15	139	95.4	45.157	460	34,51
		1200	444/5T	12512ET3E445T-W22G	\$19,497	N1	2004	1.15	143	95.0	45.157	230/460	34
150	110	1800	444/5TC	15018ET3E445TC-W22G	\$19,575	N1	1960	1.15	170	95.8	45.157	230/460	34
		1800	444/5TC	15018ET3G445TC-W22G	\$19,575	N1	1960	1.15	170	95.8	45.157	460	34,51



ODP - Three-Phase - Foot Mount and Foot Mount with C-Face

HP	kW	RPM	Frame	Catalog Number	List Price	Mult. Symbol	Approx. Shipping Weight (lbs)	Service Factor	FL Amps @ High	FL. Eff (%)	"C" Dimension (in)	Voltage (V)	Notes
1	0.75	1800	143/5T	001180T3E143T-SG*	\$530	N1S	38	1.15	1.50	85.5	11.181	230/460	9,34
		1800	143/5TC	001180T3E143TC-SG	\$564	N1S	38	1.15	1.50	85.5	11.181	230/460	9,34
		1800	143/5T	001180T3H143T-SG	\$530	N1S	38	1.15	1.20	85.5	11.181	575	9,34,51
		1800	143/5T	001180T3V143T-SG	\$530	N1S	38	1.15	1.70	85.5	11.181	200/400	9,34,51
		1200	143/5T	001120T3E145T-SG	\$586	N1S	38	1.15	1.70	82.5	11.181	230/460	9,34,51
		1200	143/5T	001120T3H145T-SG	\$586	N1S	38	1.15	1.30	82.5	11.181	575	9,34
1.5	1.1	3600	143/5T	001560T3E143T-SG	\$582	N1S	33	1.15	1.90	84.0	11.181	230/460	9,34
		1800	143/5T	001580T3E145T-SG	\$589	N1S	45	1.15	2.10	86.5	12.362	230/460	9,34
		1800	143/5TC	001580T3E145TC-SG	\$623	N1S	45	1.15	2.10	86.5	12.362	230/460	9,34,51
		1800	143/5T	001580T3H145T-SG	\$589	N1S	45	1.15	1.70	86.5	12.362	575	9,34
		1800	143/5T	001580T3V145T-SG	\$589	N1S	45	1.15	2.40	86.5	12.362	200/400	9,34
		1800	143/5TC	001580T3V145TC-SG	\$623	N1S	45	1.15	2.40	86.5	12.362	200/400	9,34,51
2	1.5	1200	182/4T	001520T3E182T-SG	\$758	N1S	63	1.15	2.30	86.5	13.976	230/460	9,34
		3600	143/5T	002360T3E145T-SG	\$627	N1S	40	1.15	2.40	85.5	11.969	230/460	9,34
		1800	143/5T	002180T3E145T-SG	\$632	N1S	43	1.15	2.70	86.5	12.362	230/460	9,34
		1800	143/5TC	002180T3E145TC-SG	\$666	N1S	43	1.15	2.70	86.5	12.362	230/460	9,34,51
		1800	143/5T	002180T3H145T-SG	\$632	N1S	43	1.15	2.20	86.5	12.362	575	9,34,51
		1800	143/5T	002180T3V145T-SG	\$632	N1S	43	1.15	3.10	86.5	12.362	200/400	9,34
3	2.2	1200	182/4T	002120T3E184T-SG	\$767	N1S	73	1.15	3.00	87.5	14.764	230/460	9,34
		3600	143/5T	003360T3E145T-SG	\$685	N1S	44	1.15	3.60	85.5	12.362	230/460	9,34
		1800	182/4T	003180T3E182T-SG	\$694	N1S	73	1.15	3.90	89.5	15.157	230/460	9,34
		1800	182/4TC	003180T3E182TC-SG	\$732	N1S	73	1.15	3.90	89.5	15.157	230/460	9,34
		1800	182/4T	003180T3H182T-SG	\$694	N1S	73	1.15	3.10	89.5	15.157	575	9,34
		1800	182/4T	003180T3V182T-SG	\$694	N1S	73	1.15	4.40	89.5	15.157	200/400	9,34
		1800	182/4TC	003180T3V182TC-SG	\$732	N1S	73	1.15	4.40	89.5	15.157	200/400	9,34,51
		1200	213/5T	003120T3E213T-SG	\$975	N1S	113	1.15	4.20	88.5	16.575	230/460	9,34
5	3.7	1200	213/5T	003120T3H213T-SG	\$975	N1S	113	1.15	3.30	88.5	16.575	575	9,34
		3600	182/4T	005360T3E182T-SG	\$821	N1S	60	1.15	6.10	86.5	13.977	230/460	9,34
		3600	182/4TC	005360T3E182TC-SG	\$859	N1S	59	1.15	6.10	86.5	14.764	230/460	9,34,51
		1800	182/4T	005180T3E184T-SG	\$800	N1S	88	1.15	6.30	89.5	16.339	230/460	9,34
		1800	182/4TC	005180T3E184TC-SG	\$838	N1S	88	1.15	6.30	89.5	16.339	230/460	9,34
		1800	182/4T	005180T3H184T-SG	\$800	N1S	88	1.15	5.10	89.5	16.339	575	9,34
		1800	182/4T	005180T3V184T-SG	\$800	N1S	88	1.15	7.30	89.5	16.339	200/400	9,34
		1800	182/4TC	005180T3V184TC-SG	\$838	N1S	88	1.15	7.30	89.5	16.339	200/400	9,34,51
1200	213/5T	005120T3E215T-SG	\$1,257	N1S	135	1.15	6.70	89.5	16.969	230/460	9,34		

continued on next page

Air Handling Motors

Please refer to inside back cover for description of "NOTES"

For detailed specifications, data sheets, drawings and performance curves visit <http://www.weg.net>

Data subject to change without notice.

ODP - Three-Phase - Foot Mount and Foot Mount with C-Face - continued

HP	kW	RPM	Frame	Catalog Number	List Price	Mult. Symbol	Approx. Shipping Weight (lbs)	Service Factor	FL Amps @ High	FL. Eff (%)	"C" Dimension (in)	Voltage (V)	Notes
7.5	5.5	3600	182/4T	007360T3E184T-SG	\$1,090	N1S	76	1.15	8.70	88.5	15.157	230/460	9;34
		3600	182/4TC	007360T3E184TC-SG	\$1,128	N1S	70	1.15	8.70	88.5	15.157	230/460	9;34,51
		1800	213/5T	007180T3E213T-SG	\$1,110	N1S	125	1.15	9.30	91.0	16.575	230/460	9;34
		1800	213/5TC	007180T3E213TC-SG	\$1,161	N1S	125	1.15	9.30	91.0	16.575	230/460	9;34
		1800	213/5T	007180T3H213T-SG	\$1,110	N1S	125	1.15	7.40	91.0	16.575	575	9;34,51
		1800	213/5T	007180T3V213T-SG	\$1,110	N1S	125	1.15	10.6	91.0	16.575	200/400	9;34
		1800	213/5TC	007180T3V213TC-SG	\$1,161	N1S	125	1.15	10.6	91.0	16.575	200/400	9;34
		1200	254/6T	007120T3E254T-SG	\$1,747	N1S	209	1.15	10.2	90.2	20.472	230/460	9;34
		1200	254/6TC	007120T3E254TC-SG	\$1,815	N1S	209	1.15	10.2	90.2	20.472	230/460	9;34
		1200	254/6T	007120T3H254T-SG	\$1,747	N1S	209	1.15	8.20	90.2	20.472	575	9;34
10	7.5	3600	213/5T	010360T3E213T-SG	\$1,281	N1S	117	1.15	12.0	89.5	16.575	230/460	9;34
		3600	213/5TC	010360T3E213TC-SG	\$1,332	N1S	126	1.15	12.0	89.5	16.969	230/460	9;34,51
		1800	213/5T	010180T3E215T-SG	\$1,302	N1S	130	1.15	12.4	91.7	16.575	230/460	9;34
		1800	213/5TC	010180T3E215TC-SG	\$1,353	N1S	130	1.15	12.4	91.7	16.575	230/460	9;34
		1800	213/5T	010180T3H215T-SG	\$1,302	N1S	130	1.15	9.90	91.7	16.575	575	9;34
		1800	213/5T	010180T3V215T-SG	\$1,302	N1S	130	1.15	14.3	91.7	16.575	200/400	9;34,51
		1800	213/5TC	010180T3V215TC-SG	\$1,353	N1S	130	1.15	14.3	91.7	16.575	200/400	9;34
		1200	254/6T	010120T3E256T-SG	\$1,997	N1S	237	1.15	13.9	91.7	20.472	230/460	9;34
		1200	254/6T	010120T3H256T-SG	\$1,997	N1S	237	1.15	11.1	91.7	20.472	575	9;34
15	11	3600	213/5T	015360T3E215T-SG	\$1,692	N1S	141	1.15	17.2	90.2	17.756	230/460	9;34
		3600	213/5TC	015360T3E215TC-SG	\$1,743	N1S	141	1.15	17.2	90.2	17.756	230/460	9;34,51
		1800	254/6T	015180T3E254T-SG	\$1,757	N1S	211	1.15	18.6	93.0	20.472	230/460	9;34
		1800	254/6TC	015180T3E254TC-SG	\$1,825	N1S	211	1.15	18.6	93.0	20.472	230/460	9;34
		1800	254/6T	015180T3H254T-SG	\$1,757	N1S	211	1.15	14.9	93.0	20.472	575	9;34
		1800	254/6T	015180T3V254T-SG	\$1,757	N1S	211	1.15	21.4	93.0	20.472	200/400	9;34
		1200	284T	015120T3E284T-W40G	\$2,722	N1B	340	1.25	18.4	91.7	23.158	230/460	34
20	15	3600	254/6T	020360T3E254T-SG	\$2,040	N1S	187	1.15	23.8	91.0	20.472	230/460	9;34
		3600	254/6TC	020360T3E254TC-SG	\$2,108	N1S	187	1.15	23.8	91.0	20.472	230/460	9;34,51
		1800	254/6T	020180T3E256T-SG	\$2,112	N1S	235	1.15	25.0	93.0	20.472	230/460	9;34
		1800	254/6TC	020180T3E256TC-SG	\$2,180	N1S	235	1.15	25.0	93.0	20.472	230/460	9;34
		1800	254/6T	020180T3H256T-SG	\$2,112	N1S	235	1.15	20.0	93.0	20.472	575	9;34
		1800	254/6T	020180T3V256T-SG	\$2,112	N1S	235	1.15	28.8	93.0	20.472	200/400	9;34
		1800	254/6TC	020180T3V256TC-SG	\$2,180	N1S	235	1.15	28.8	93.0	20.472	200/400	9;34
		1200	284/6T	020120T3E286T-W40G	\$3,344	N1B	415	1.25	24.3	92.4	24.658	230/460	34
		25	18.5	3600	254/6T	025360T3E256T-SG	\$2,419	N1S	202	1.15	29.1	91.7	20.472
3600	254/6TC			025360T3E256TC-SG	\$2,487	N1S	202	1.15	29.1	91.7	20.472	230/460	9;34,51
1800	284T			025180T3E284T-W40G	\$2,470	N1B	381	1.25	29.5	93.6	23.158	230/460	34
1800	284TC			025180T3E284TC-W40G	\$2,555	N1B	388	1.25	29.5	93.6	23.158	230/460	34
1800	284T			025180T3H284T-W40G	\$2,470	N1B	380	1.25	23.6	93.6	23.158	575	34
1800	284T			025180T3V284T-W40G	\$2,470	N1B	372	1.25	33.9	93.6	23.158	200/400	34
1200	324T			025120T3E324T-W40G	\$3,919	N1B	485	1.25	30.8	93.0	25.807	230/460	34

continued on next page

Please refer to inside back cover for description of "NOTES"

For detailed specifications, data sheets, drawings and performance curves visit <http://www.weg.net>



ODP - Three-Phase - Foot Mount and Foot Mount with C-Face - continued

HP	kW	RPM	Frame	Catalog Number	List Price	Mult. Symbol	Approx. Shipping Weight (lbs)	Service Factor	FL Amps @ High	FL. Eff (%)	"C" Dimension (in)	Voltage (V)	Notes
30	22	3600	284TS	030360T3E284TS-W40G	\$2,797	N1B	333	1.25	35.0	91.7	21.783	230/460	34
		1800	284/6T	030180T3E286T-W40G	\$2,840	N1B	428	1.25	34.9	94.1	24.658	230/460	34
		1800	284/6TC	030180T3E286TC-W40G	\$2,925	N1B	435	1.25	34.9	94.1	24.658	230/460	34
		1800	284/6T	030180T3H286T-W40G	\$2,840	N1B	432	1.25	27.9	94.1	24.658	575	34
		1800	284/6T	030180T3V286T-W40G	\$2,840	N1B	432	1.25	40.1	94.1	24.658	200/400	34
		1200	324/6T	030120T3E326T-W40G	\$4,290	N1B	548	1.25	36.0	93.6	27.307	230/460	34
40	30	3600	284/6TS	040360T3E286TS-W40G	\$3,618	N1B	377	1.25	46.8	92.4	23.283	230/460	34
		3600	284/6TSC	040360T3E286TSC-W40G	\$3,703	N1B	397	1.25	46.8	92.4	23.283	230/460	34
		1800	324TS	040180T3E324TS-W40G	\$3,372	N1B	505	1.25	47.6	94.1	24.307	230/460	34
		1800	324T	040180T3E324T-W40G	\$3,495	N1B	481	1.25	47.6	94.1	25.807	230/460	34
		1800	324TC	040180T3E324TC-W40G	\$3,595	N1B	497	1.25	47.6	94.1	25.807	230/460	34
		1800	324T	040180T3H324T-W40G	\$3,495	N1B	505	1.25	38.1	94.1	25.807	575	34
		1800	324T	040180T3V324T-W40G	\$3,495	N1B	486	1.25	54.7	94.1	25.807	200/400	34
		1800	324TC	040180T3V324TC-W40G	\$3,595	N1B	505	1.25	54.7	94.1	25.807	200/400	34,51
50	37	3600	324TS	050360T3E324TS-W40G	\$4,097	N1B	520	1.25	58.7	93.0	24.307	230/460	34
		3600	324TSC	050360T3E324TSC-W40G	\$4,197	N1B	520	1.25	58.7	93.0	24.307	230/460	34
		1800	326TC	050180T3E326TC-G*	\$4,288	N1B	587	1.15	59.9	94.5	27.667	230/460	34
		1800	324/6T	050180T3E326T-W40G	\$4,188	N1B	544	1.25	58.5	94.5	27.307	230/460	34
		1800	324/6TC	050180T3E326TC-W40G	\$4,288	N1B	563	1.25	58.5	94.5	27.307	230/460	34
		1800	324/6T	050180T3H326T-W40G	\$4,188	N1B	535	1.25	46.8	94.5	27.307	575	34
		1800	324/6T	050180T3V326T-W40G	\$4,188	N1B	520	1.25	67.3	94.5	27.307	200/400	34
		1200	364/5T	050120T3E365T-W40G	\$7,232	N1B	884	1.25	58.1	94.1	29.725	230/460	34,51
60	45	3600	324/6TS	060360T3E326TS-W40G	\$4,858	N1B	548	1.25	71.0	93.6	25.807	230/460	34
		1800	364/5T	060180T3E364T-W40G	\$5,283	N1B	854	1.25	69.9	95.0	29.725	230/460	34
		1800	364/5TC	060180T3E364TC-W40G	\$5,677	N1B	881	1.25	69.9	95.0	29.725	230/460	34
		1800	364/5T	060180T3H364T-W40G	\$5,283	N1B	847	1.25	55.9	95.0	29.725	575	34
		1200	404/5T	060120T3E404T-W40G	\$8,762	N1B	1051	1.25	70.3	94.5	34.100	230/460	34,51
75	55	3600	364/5TS	075360T3E364TS-W40G	\$6,172	N1B	789	1.25	84.8	93.6	27.522	230/460	34
		3600	364/5TSC	075360T3E364TSC-W40G	\$6,566	N1B	794	1.25	84.8	93.6	27.522	230/460	34,51
		1800	364/5T	075180T3E365T-W40G	\$6,498	N1B	878	1.25	85.5	95.0	29.725	230/460	34
		1800	364/5TC	075180T3E365TC-W40G	\$6,892	N1B	904	1.25	85.5	95.0	29.725	230/460	34
		1800	364/5T	075180T3H365T-W40G	\$6,498	N1B	875	1.25	68.4	95.0	29.725	575	34
		1200	404/5T	075120T3E405T-W40G	\$9,558	N1B	1087	1.25	85.9	94.5	34.100	230/460	34,51
100	75	3600	364/5TS	100360T3E365TS-W40G	\$7,484	N1B	835	1.25	116	93.6	27.522	230/460	34,51
		1800	404/5TS	100180T3E404TS-W40G	\$7,751	N1B	1047	1.25	115	95.4	31.100	230/460	34
		1800	404/5T	100180T3E404T-W40G	\$8,341	N1B	1064	1.25	115	95.4	34.100	230/460	34
		1800	404/5T	100180T3H404T-W40G	\$8,341	N1B	1070	1.25	92.0	95.4	34.100	575	34
		1200	444/5T	100120T3E444T-W40G	\$13,463	N1B	1403	1.25	127	95.0	38.108	230/460	34,51
125	90	3600	404/5TS	125360T3E404TS-W40G	\$10,026	N1B	955	1.25	136	94.1	31.100	230/460	34,51
		1800	404/5T	125180T3E405T-W40G	\$9,181	N1B	1156	1.25	138	95.4	34.100	230/460	34,51
		1800	404/5TC	125180T3E405TC-W40G	\$9,627	N1B	1156	1.25	138	95.4	34.100	230/460	34
		1800	404/5T	125180T3H405T-W40G	\$9,181	N1B	1156	1.25	110	95.4	34.100	575	34,51
		1200	444/5T	125120T3G445T-W40G	\$14,353	N1B	1497	1.25	154	95.0	38.108	460	34,51
150	110	3600	404/5TS	150360T3G405TS-W40G	\$12,616	N1B	1004	1.25	167	94.1	31.100	460	34,51
		1800	444/5TS	150180T3G444TS-W40G	\$11,868	N1B	1425	1.25	170	95.8	34.358	460	34

* To be discontinued and replaced by W40 model once inventory is depleted.
Please refer to inside back cover for description of "NOTES"

For detailed specifications, data sheets, drawings and performance curves visit <http://www.weg.net>

Data subject to change without notice.

Can't find what you are looking for? Call 1-800-ASK-4WEG (275-4934)

Air Handling Motors

COOLING TOWER MOTORS

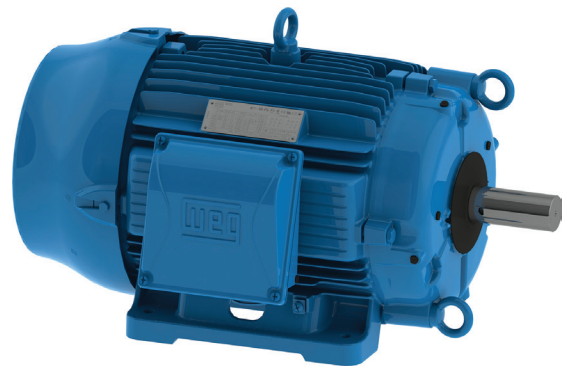
Three-Phase TEFC & TEAO

WEG's cooling tower motors are designed for operation in 100% humidity and the most corrosive environments. They are designed to operate in either horizontal or vertical mounting.

WEG's W22 cast iron platform has a superior cooling system and solid feet for cool operation and low vibration and noise extending the life of the motor.

Standard Features:

- 50/60 Hz rated (380V on Nameplate - 400/415 Available - Same Horse Power at 50 Hz with a 1.0 Service Factor)
- Class F insulation (Impregnation Resin and magnet Wire are class H)
- Standard mounting is F2. F1 mounted motors are identified in the part number. (Both configurations are convertible).
- Stainless Steel Nameplate - Laser etched with high contrast background
- Double Sealed bearings
- Space Heaters 110-127/200-240V (200-240V 143/5T)



Features that make a difference:

- 1.25 Service Factor
- Multiple endbell drain plugs for shaft up, down or horizontal mounting
- Drain plugs in terminal box
- Rubber lead separator between terminal box and frame
- Internally and externally epoxy painted (C4 per ISO12944)
- Double sealed bearings
- Double impregnation and bake

**Inverter Rated:
1000:1 for variable torque**





TEFC - Three-Phase - Foot Mount - NEMA Premium®

HP	kW	RPM	Frame	Catalog Number	List Price	Mult. Symbol	Approx. Shipping Weight (lbs)	Service Factor	FL Amps @ High	FL. Eff (%)	"C" Dimension (in)	Voltage (V)	Notes
1	0.75	1800	143T	00118ET3ECT143TF1-W2	\$647	L1	48	1.25	1.47	85.5	12.346	230/460	
		1800	143T	00118ET3ECT143T-W22	\$647	L1	48	1.25	1.47	85.5	12.346	230/460	7
		1800	143T	00118ET3PCT143T-W22	\$647	L1	48	1.25	3.38	85.5	12.346	200	7
		1200	143/5T	00112ET3ECT145TF1-W2	\$728	L1	56	1.25	1.73	82.5	13.358	230/460	
		1200	143/5T	00112ET3ECT145T-W22	\$728	L1	58	1.25	1.73	82.5	13.358	230/460	7
		1200	143/5T	00112ET3PCT145TF1-W2	\$728	L1	56	1.25	3.98	82.5	13.358	200	
		1200	143/5T	00112ET3PCT145T-W22	\$728	L1	58	1.25	3.98	82.5	13.358	200	7,51
1.5	1.1	1800	143/5T	00158ET3ECT145TF1-W2	\$676	L1	56	1.25	2.02	86.5	13.358	230/460	
		1800	143/5T	00158ET3ECT145T-W22	\$676	L1	56	1.25	2.02	86.5	13.358	230/460	7
		1800	143/5T	00158ET3PCT145TF1-W2	\$676	L1	56	1.25	4.65	86.5	13.358	200	
		1800	143/5T	00158ET3PCT145T-W22	\$676	L1	56	1.25	4.65	86.5	13.358	200	7
		1200	182T	00152ET3ECT182T-W22	\$903	L1	98	1.25	2.54	87.5	14.860	230/460	7
		1200	182T	00152ET3PCT182T-W22	\$903	L1	79	1.25	5.84	87.5	14.860	200	7
2	1.5	1800	143/5T	00218ET3ECT145TF1-W2	\$752	L1	58	1.25	2.76	86.5	13.358	230/460	
		1800	143/5T	00218ET3ECT145T-W22	\$752	L1	58	1.25	2.76	86.5	13.358	230/460	7
		1800	143/5T	00218ET3HCT145T-W22	\$752	L1	58	1.25	2.21	86.5	13.358	575	7
		1800	143/5T	00218ET3PCT145TF1-W2	\$752	L1	58	1.25	6.35	86.5	13.358	200	
		1800	143/5T	00218ET3PCT145T-W22	\$752	L1	58	1.25	6.35	86.5	13.358	200	7
		1200	182/4T	00212ET3ECT184T-W22	\$981	L1	107	1.25	3.23	88.5	15.860	230/460	7
		1200	182/4T	00212ET3PCT184T-W22	\$981	L1	97	1.25	7.43	88.5	15.860	200	7
3	2.2	1800	182T	00318ET3ECT182TF1-W2	\$781	L1	96	1.25	3.91	89.5	14.860	230/460	
		1800	182T	00318ET3ECT182T-W22	\$781	L1	96	1.25	3.91	89.5	14.860	230/460	7
		1800	182T	00318ET3HCT182TF1-W2	\$781	L1	95	1.25	3.13	89.5	14.860	575	
		1800	182T	00318ET3HCT182T-W22	\$781	L1	95	1.25	3.13	89.5	14.860	575	7
		1800	182T	00318ET3PCT182TF1-W2	\$781	L1	96	1.25	8.99	89.5	14.860	200	
		1800	182T	00318ET3PCT182T-W22	\$781	L1	96	1.25	8.99	89.5	14.860	200	7
		1200	213T	00312ET3ECT213T-W22	\$1,329	L1	158	1.25	4.41	89.5	18.021	230/460	7
		1200	213T	00312ET3HCT213T-W22	\$1,329	L1	152	1.25	3.53	89.5	19.517	575	7,51
5	3.7	1200	213T	00312ET3PCT213T-W22	\$1,329	L1	159	1.25	10.1	89.5	18.021	200	7
		1800	182/4T	00518ET3ECT184TF1-W2	\$894	L1	108	1.25	6.45	89.5	15.860	230/460	
		1800	182/4T	00518ET3ECT184T-W22	\$894	L1	108	1.25	6.45	89.5	15.860	230/460	7
		1800	182/4T	00518ET3HCT184TF1-W2	\$894	L1	108	1.25	5.16	89.5	15.860	575	
		1800	182/4T	00518ET3HCT184T-W22	\$894	L1	108	1.25	5.16	89.5	15.860	575	7
		1800	182/4T	00518ET3PCT184TF1-W2	\$894	L1	108	1.25	14.8	89.5	15.860	200	
		1800	182/4T	00518ET3PCT184T-W22	\$894	L1	108	1.25	14.8	89.5	15.860	200	7
		1200	213/5T	00512ET3ECT215TF1-W2	\$1,517	L1	175	1.25	6.83	89.5	19.517	230/460	
		1200	213/5T	00512ET3ECT215T-W22	\$1,517	L1	183	1.25	6.83	89.5	19.517	230/460	7
		1200	213/5T	00512ET3HCT215T-W22	\$1,517	L1	175	1.25	5.46	89.5	19.517	575	7,51
1200	213/5T	00512ET3PCT215T-W22	\$1,517	L1	184	1.25	15.7	89.5	19.517	200	7		

continued on next page

Please refer to inside back cover for description of "NOTES"

For detailed specifications, data sheets, drawings and performance curves visit <http://www.weg.net>

Data subject to change without notice.

Can't find what you are looking for? Call 1-800-ASK-4WEG (275-4934)

A-199

COOLING TOWER MOTORS - THREE-PHASE

TEFC - Three-Phase - Foot Mount - NEMA Premium® - *continued*

HP	kW	RPM	Frame	Catalog Number	List Price	Mult. Symbol	Approx. Shipping Weight (lbs)	Service Factor	FL Amps @ High	FL. Eff (%)	"C" Dimension (in)	Voltage (V)	Notes
7.5	5.5	1800	213T	00718ET3ECT213TF1-W2	\$1,293	L1	171	1.25	9.18	91.7	18.021	230/460	
		1800	213T	00718ET3ECT213T-W22	\$1,293	L1	171	1.25	9.18	91.7	18.021	230/460	7
		1800	213T	00718ET3HCT213TF1-W2	\$1,293	L1	170	1.25	7.34	91.7	18.021	575	
		1800	213T	00718ET3HCT213T-W22	\$1,293	L1	170	1.25	7.34	91.7	18.021	575	7
		1800	213T	00718ET3PCT213TF1-W2	\$1,293	L1	171	1.25	21.1	91.7	18.021	200	
		1800	213T	00718ET3PCT213T-W22	\$1,293	L1	171	1.25	21.1	91.7	18.021	200	7
		1200	254T	00712ET3ECT254T-W22	\$2,433	L1	311	1.25	9.48	91.0	23.213	230/460	7
		1200	254T	00712ET3HCT254T-W22	\$2,433	L1	299	1.25	7.58	91.0	23.213	575	7
		1200	254T	00712ET3PCT254T-W22	\$2,433	L1	311	1.25	21.8	91.0	23.213	200	7
10	7.5	1800	213/5T	01018ET3ECT215TF1-W2	\$1,475	L1	192	1.25	12.4	91.7	19.517	230/460	
		1800	213/5T	01018ET3ECT215T-W22	\$1,475	L1	192	1.25	12.4	91.7	19.517	230/460	7
		1800	213/5T	01018ET3HCT215TF1-W2	\$1,475	L1	192	1.25	9.92	91.7	19.517	575	
		1800	213/5T	01018ET3HCT215T-W22	\$1,475	L1	192	1.25	9.92	91.7	19.517	575	7
		1800	213/5T	01018ET3PCT215TF1-W2	\$1,475	L1	192	1.25	28.5	91.7	19.517	200	
		1800	213/5T	01018ET3PCT215T-W22	\$1,475	L1	192	1.25	28.5	91.7	19.517	200	7
		1200	254/6T	01012ET3ECT256TF1-W2	\$2,751	L1	331	1.25	12.9	91.0	24.945	230/460	
		1200	254/6T	01012ET3ECT256T-W22	\$2,751	L1	331	1.25	12.9	91.0	24.945	230/460	7
		1200	254/6T	01012ET3HCT256T-W22	\$2,751	L1	343	1.25	10.3	91.0	24.945	575	7,51
1200	254/6T	01012ET3PCT256T-W22	\$2,751	L1	331	1.25	29.7	91.0	24.945	200	7		
15	11	1800	254T	01518ET3ECT254TF1-W2	\$2,122	L1	341	1.25	18.0	92.4	23.213	230/460	
		1800	254T	01518ET3ECT254T-W22	\$2,122	L1	341	1.25	18.0	92.4	23.213	230/460	7
		1800	254T	01518ET3HCT254TF1-W2	\$2,122	L1	341	1.25	14.4	92.4	23.213	575	
		1800	254T	01518ET3HCT254T-W22	\$2,122	L1	341	1.25	14.4	92.4	23.213	575	7
		1800	254T	01518ET3PCT254TF1-W2	\$2,122	L1	342	1.25	41.4	92.4	23.213	200	
		1800	254T	01518ET3PCT254T-W22	\$2,122	L1	342	1.25	41.4	92.4	23.213	200	7
		1200	284T	01512ET3ECT284T-W22	\$3,850	L1	422	1.25	17.9	91.7	26.433	230/460	7
		1200	284T	01512ET3PCT284T-W22	\$3,850	L1	423	1.25	41.2	91.7	26.433	200	7
20	15	1800	254/6T	02018ET3ECT256TF1-W2	\$2,549	L1	403	1.25	24.1	93.0	24.945	230/460	
		1800	254/6T	02018ET3ECT256T-W22	\$2,549	L1	387	1.25	24.1	93.0	24.945	230/460	7
		1800	254/6T	02018ET3HCT256TF1-W2	\$2,549	L1	402	1.25	19.3	93.0	24.945	575	
		1800	254/6T	02018ET3HCT256T-W22	\$2,549	L1	402	1.25	19.3	93.0	24.945	575	7
		1800	254/6T	02018ET3PCT256TF1-W2	\$2,549	L1	403	1.25	55.4	93.0	24.945	200	
		1800	254/6T	02018ET3PCT256T-W22	\$2,549	L1	403	1.25	55.4	93.0	24.945	200	7
		1200	284/6T	02012ET3ECT286T-W22	\$4,635	L1	461	1.25	24.2	91.7	27.929	230/460	7
		1200	284/6T	02012ET3PCT286T-W22	\$4,635	L1	503	1.25	55.7	91.7	27.929	200	7
25	18.5	1800	284T	02518ET3ECT284TF1-W2	\$3,236	L1	441	1.25	29.5	93.6	26.433	230/460	
		1800	284T	02518ET3ECT284T-W22	\$3,236	L1	441	1.25	29.5	93.6	26.433	230/460	7
		1800	284T	02518ET3HCT284TF1-W2	\$3,236	L1	439	1.25	23.6	93.6	26.433	575	
		1800	284T	02518ET3HCT284T-W22	\$3,236	L1	439	1.25	23.6	93.6	26.433	575	7
		1800	284T	02518ET3PCT284TF1-W2	\$3,236	L1	440	1.25	67.9	93.6	26.433	200	
		1800	284T	02518ET3PCT284T-W22	\$3,236	L1	440	1.25	67.9	93.6	26.433	200	7
		1200	324T	02512ET3ECT324T-W22	\$5,543	L1	575	1.25	30.4	93.0	29.620	230/460	7
		1200	324T	02512ET3PCT324T-W22	\$5,543	L1	574	1.25	69.9	93.0	29.620	200	7

continued on next page

Please refer to inside back cover for description of "NOTES"

For detailed specifications, data sheets, drawings and performance curves visit <http://www.weg.net>



TEFC - Three-Phase - Foot Mount - NEMA Premium® - continued

HP	kW	RPM	Frame	Catalog Number	List Price	Mult. Symbol	Approx. Shipping Weight (lbs)	Service Factor	FL Amps @ High	FL. Eff (%)	"C" Dimension (in)	Voltage (V)	Notes
30	22	1800	284/6T	03018ET3ECT286TF1-W2	\$3,738	L1	490	1.25	35.1	93.6	27.929	230/460	
		1800	284/6T	03018ET3ECT286T-W22	\$3,738	L1	490	1.25	35.1	93.6	27.929	230/460	7
		1800	284/6T	03018ET3HCT286TF1-W2	\$3,738	L1	489	1.25	28.1	93.6	27.929	575	
		1800	284/6T	03018ET3HCT286T-W22	\$3,738	L1	489	1.25	28.1	93.6	27.929	575	7
		1800	284/6T	03018ET3PCT286TF1-W2	\$3,738	L1	491	1.25	80.7	93.6	27.929	200	
		1800	284/6T	03018ET3PCT286T-W22	\$3,738	L1	491	1.25	80.7	93.6	27.929	200	7
		1200	324/6T	03012ET3ECT326T-W22	\$6,064	L1	673	1.25	36.2	93.0	31.116	230/460	7
		1200	324/6T	03012ET3PCT326T-W22	\$6,064	L1	634	1.25	83.3	93.0	31.116	200	7
40	30	1800	324T	04018ET3ECT324TF1-W2	\$4,805	L1	605	1.25	47.1	94.1	29.620	230/460	
		1800	324T	04018ET3ECT324T-W22	\$4,805	L1	605	1.25	47.1	94.1	29.620	230/460	7
		1800	324T	04018ET3HCT324TF1-W2	\$4,805	L1	603	1.25	37.7	94.1	29.620	575	
		1800	324T	04018ET3HCT324T-W22	\$4,805	L1	603	1.25	37.7	94.1	29.620	575	7
		1800	324T	04018ET3PCT324TF1-W2	\$4,805	L1	606	1.25	108	94.1	29.620	200	
		1800	324T	04018ET3PCT324T-W22	\$4,805	L1	606	1.25	108	94.1	29.620	200	7
		1200	364/5T	04012ET3ECT364T-W22	\$8,376	L1	1003	1.25	46.5	94.1	34.251	230/460	7
		1200	364/5T	04012ET3PCT364T-W22	\$8,376	L1	1076	1.25	107	94.1	34.251	200	7
50	37	1800	324/6T	05018ET3ECT326TF1-W2	\$5,865	L1	644	1.25	59.2	94.5	31.116	230/460	
		1800	324/6T	05018ET3ECT326T-W22	\$5,865	L1	643	1.25	59.2	94.5	31.116	230/460	7
		1800	324/6T	05018ET3HCT326TF1-W2	\$5,865	L1	644	1.25	47.4	94.5	31.116	575	
		1800	324/6T	05018ET3HCT326T-W22	\$5,865	L1	644	1.25	47.4	94.5	31.116	575	7,51
		1800	324/6T	05018ET3PCT326T-W22	\$5,865	L1	662	1.25	136	94.5	31.116	200	7
		1200	364/5T	05012ET3ECT365T-W22	\$9,625	L1	1020	1.25	57.4	94.1	34.251	230/460	7
		1200	364/5T	05012ET3PCT365T-W22	\$9,625	L1	1127	1.25	132	94.1	34.251	200	7
60	45	1800	364/5T	06018ET3ECT364TF1-W2	\$8,497	L1	1009	1.25	68.3	95.0	34.251	230/460	
		1800	364/5T	06018ET3ECT364T-W22	\$8,497	L1	1029	1.25	68.3	95.0	34.251	230/460	7
		1800	364/5T	06018ET3HCT364TF1-W2	\$8,497	L1	1009	1.25	54.6	95.0	34.251	575	
		1800	364/5T	06018ET3HCT364T-W22	\$8,497	L1	1009	1.25	54.6	95.0	34.251	575	7
		1800	364/5T	06018ET3PCT364T-W22	\$8,497	L1	1036	1.25	157	95.0	34.251	200	7,51
		1200	404/5T	06012ET3ECT404T-W22	\$11,861	L1	1272	1.25	69.5	94.5	39.730	230/460	7
		1200	404/5T	06012ET3PCT404T-W22	\$11,861	L1	1346	1.25	160	94.5	39.730	200	7
75	55	1800	364/5T	07518ET3ECT365TF1-W2	\$9,924	L1	1007	1.25	84.1	95.4	34.251	230/460	
		1800	364/5T	07518ET3ECT365T-W22	\$9,924	L1	1046	1.25	84.1	95.4	34.251	230/460	7
		1800	364/5T	07518ET3HCT365T-W22	\$9,924	L1	1007	1.25	67.3	95.4	34.251	575	7,51
		1800	364/5T	07518ET3PCT365T-W22	\$9,924	L1	1047	1.25	193	95.4	34.251	200	7
		1200	404/5T	07512ET3ECT405T-W22	\$13,626	L1	1243	1.25	84.9	94.5	39.730	230/460	7
		1200	404/5T	07512ET3PCT405T-W22	\$13,626	L1	1478	1.25	195	94.5	39.730	200	7
100	75	1800	404/5T	10018ET3ECT405T-W22	\$13,092	L1	1303	1.25	111	95.4	39.730	230/460	7
		1800	404/5T	10018ET3PCT405T-W22	\$13,092	L1	1302	1.25	255	95.4	39.730	200	7
		1200	444/5T	10012ET3ECT444T-W22	\$17,194	L1	2006	1.25	121	95.0	44.950	230/460	7
		1200	444/5T	10012ET3PCT444T-W22	\$17,194	L1	2006	1.25	278	95.0	44.950	200	7

Air Handling Motors

Please refer to inside back cover for description of "NOTES"

For detailed specifications, data sheets, drawings and performance curves visit <http://www.weg.net>

Data subject to change without notice.

Can't find what you are looking for? Call 1-800-ASK-4WEG (275-4934)

Air Handling Motors



COOLING TOWER MOTORS - THREE-PHASE TEAO - Three-Phase - Foot Mount - NEMA Premium®

HP	kW	RPM	Frame	Catalog Number	List Price	Mult. Symbol	Approx. Shipping Weight (lbs)	Service Factor	FL Amps @ High	FL. Eff (%)	"C" Dimension (in)	Voltage (V)	Notes
1	0.75	1800	143T	00118AT3PCT143T-W22	\$666	L1	54	1.25	3.38	85.5	12.353	200	7
1.5	1.1	1800	143/5T	00158AT3PCT145T-W22	\$696	L1	56	1.25	4.65	86.5	13.338	200	7
2	1.5	1800	143/5T	00218AT3ECT145TF1-W2	\$775	L1	58	1.25	2.76	86.5	13.338	230/460	
		1800	143/5T	00218AT3ECT145T-W22	\$775	L1	58	1.25	2.76	86.5	13.338	230/460	7
		1800	143/5T	00218AT3PCT145T-W22	\$775	L1	58	1.25	6.35	86.5	13.338	200	7
		1200	182/4T	00212AT3ECT184TF1-W2	\$1,010	L1	105	1.25	3.23	88.5	15.298	230/460	
		1200	182/4T	00212AT3ECT184T-W22	\$1,010	L1	97	1.25	3.23	88.5	15.298	230/460	
		1200	182/4T	00212AT3HCT184TF1-W2	\$1,010	L1	97	1.25	2.58	88.5	15.298	575	
		1200	182/4T	00212AT3HCT184T-W22	\$1,010	L1	97	1.25	2.58	88.5	15.298	575	7
		1200	182/4T	00212AT3PCT184TF1-W2	\$1,010	L1	106	1.25	7.43	88.5	15.298	200	
3	2.2	1800	182T	00318AT3ECT182TF1-W2	\$804	L1	94	1.25	3.91	89.5	14.298	230/460	
		1800	182T	00318AT3ECT182T-W22	\$804	L1	94	1.25	3.91	89.5	14.298	230/460	7
		1800	182T	00318AT3HCT182T-W22	\$804	L1	96	1.25	3.13	89.5	14.298	575	7
		1800	182T	00318AT3PCT182TF1-W2	\$804	L1	99	1.25	8.99	89.5	14.298	200	
		1800	182T	00318AT3PCT182T-W22	\$804	L1	94	1.25	8.99	89.5	14.298	200	7
		1200	213T	00312AT3ECT213TF1-W2	\$1,369	L1	157	1.25	4.41	89.5	17.239	230/460	
		1200	213T	00312AT3ECT213T-W22	\$1,369	L1	134	1.25	4.41	89.5	17.239	230/460	7
		1200	213T	00312AT3HCT213T-W22	\$1,369	L1	134	1.25	3.53	89.5	17.239	575	7
5	3.7	1200	213T	00312AT3PCT213TF1-W2	\$1,369	L1	159	1.25	10.1	89.5	17.239	200	
		1200	213T	00312AT3PCT213T-W22	\$1,369	L1	134	1.25	10.1	89.5	17.239	200	7
		1800	182/4T	00518AT3ECT184TF1-W2	\$921	L1	107	1.25	6.45	89.5	15.298	230/460	
		1800	182/4T	00518AT3ECT184T-W22	\$921	L1	107	1.25	6.45	89.5	15.298	230/460	7
		1800	182/4T	00518AT3HCT184TF1-W2	\$921	L1	107	1.25	5.16	89.5	15.298	575	
		1800	182/4T	00518AT3HCT184T-W22	\$921	L1	104	1.25	5.16	89.5	15.298	575	7
		1800	182/4T	00518AT3PCT184TF1-W2	\$921	L1	107	1.25	14.8	89.5	15.298	200	
		1800	182/4T	00518AT3PCT184T-W22	\$921	L1	107	1.25	14.8	89.5	15.298	200	7
		1200	213/5T	00512AT3ECT215TF1-W2	\$1,563	L1	182	1.25	6.83	89.5	18.739	230/460	
		1200	213/5T	00512AT3ECT215T-W22	\$1,563	L1	175	1.25	6.83	89.5	18.739	230/460	7
7.5	5.5	1200	213/5T	00512AT3HCT215TF1-W2	\$1,563	L1	175	1.25	5.46	89.5	18.739	575	
		1200	213/5T	00512AT3HCT215T-W22	\$1,563	L1	175	1.25	5.46	89.5	18.739	575	7
		1200	213/5T	00512AT3PCT215TF1-W2	\$1,563	L1	183	1.25	15.7	89.5	18.739	200	
		1200	213/5T	00512AT3PCT215T-W22	\$1,563	L1	175	1.25	15.7	89.5	18.739	200	7
		1800	213T	00718AT3ECT213TF1-W2	\$1,332	L1	170	1.25	9.18	91.7	17.239	230/460	
		1800	213T	00718AT3ECT213T-W22	\$1,332	L1	170	1.25	9.18	91.7	17.239	230/460	7
		1800	213T	00718AT3HCT213TF1-W2	\$1,332	L1	169	1.25	7.34	91.7	17.239	575	
		1800	213T	00718AT3HCT213T-W22	\$1,332	L1	169	1.25	7.34	91.7	17.239	575	7
7.5	5.5	1800	213T	00718AT3PCT213TF1-W2	\$1,332	L1	170	1.25	21.1	91.7	17.239	200	
		1800	213T	00718AT3PCT213T-W22	\$1,332	L1	170	1.25	21.1	91.7	17.239	200	7
		1200	254T	00712AT3ECT254TF1-W2	\$2,506	L1	297	1.25	9.48	91.0	21.594	230/460	39
		1200	254T	00712AT3PCT254TF1-W2	\$2,506	L1	299	1.25	21.8	91.0	21.594	200	39

continued on next page

Please refer to inside back cover for description of "NOTES"

For detailed specifications, data sheets, drawings and performance curves visit <http://www.weg.net>



TEAO - Three-Phase - Foot Mount - NEMA Premium® - continued

HP	kW	RPM	Frame	Catalog Number	List Price	Mult. Symbol	Approx. Shipping Weight (lbs)	Service Factor	FL Amps @ High	FL. Eff (%)	"C" Dimension (in)	Voltage (V)	Notes
10	7.5	1800	213/5T	01018AT3ECT215TF1-W2	\$1,519	L1	192	1.25	12.4	91.7	18.739	230/460	
		1800	213/5T	01018AT3ECT215T-W22	\$1,519	L1	192	1.25	12.4	91.7	18.739	230/460	7
		1800	213/5T	01018AT3HCT215TF1-W2	\$1,519	L1	191	1.25	9.92	91.7	18.739	575	
		1800	213/5T	01018AT3HCT215T-W22	\$1,519	L1	191	1.25	9.92	91.7	18.739	575	7
		1800	213/5T	01018AT3PCT215TF1-W2	\$1,519	L1	191	1.25	28.5	91.7	18.739	200	
		1800	213/5T	01018AT3PCT215T-W22	\$1,519	L1	191	1.25	28.5	91.7	18.739	200	7
		1200	254/6T	01012AT3ECT256TF1-W2	\$2,919	L1	317	1.25	12.9	91.0	23.343	230/460	
		1200	254/6T	01012AT3PCT256TF1-W2	\$2,919	L1	333	1.25	29.7	91.0	23.343	200	
		1200	254/6T	01012AT3PCT256T-W22	\$2,919	L1	333	1.25	29.7	91.0	23.343	200	7
15	11	1800	254T	01518AT3ECT254TF1-W2	\$2,186	L1	327	1.25	18.0	92.4	21.594	230/460	
		1800	254T	01518AT3ECT254T-W22	\$2,186	L1	327	1.25	18.0	92.4	21.594	230/460	7
		1800	254T	01518AT3HCT254TF1-W2	\$2,186	L1	327	1.25	14.4	92.4	21.594	575	
		1800	254T	01518AT3HCT254T-W22	\$2,186	L1	327	1.25	14.4	92.4	21.594	575	7
		1800	254T	01518AT3PCT254TF1-W2	\$2,186	L1	328	1.25	41.4	92.4	21.594	200	
		1800	254T	01518AT3PCT254T-W22	\$2,186	L1	328	1.25	41.4	92.4	21.594	200	7
		1200	284T	01512AT3ECT284TF1-W2	\$3,965	L1	420	1.25	17.9	91.7	25.418	230/460	
		20	15	1800	254/6T	02018AT3ECT256TF1-W2	\$2,625	L1	389	1.25	24.1	93.0	23.343
1800	254/6T			02018AT3ECT256T-W22	\$2,625	L1	389	1.25	24.1	93.0	23.343	230/460	7
1800	254/6T			02018AT3HCT256TF1-W2	\$2,625	L1	388	1.25	19.3	93.0	23.343	575	
1800	254/6T			02018AT3HCT256T-W22	\$2,625	L1	388	1.25	19.3	93.0	23.343	575	7
1800	254/6T			02018AT3PCT256TF1-W2	\$2,625	L1	389	1.25	55.4	93.0	23.343	200	
1800	254/6T			02018AT3PCT256T-W22	\$2,625	L1	389	1.25	55.4	93.0	23.343	200	7
1200	284/6T			02012AT3ECT286TF1-W2	\$4,576	L1	443	1.25	24.2	91.7	26.918	230/460	
25	18.5			1800	284T	02518AT3ECT284TF1-W2	\$3,333	L1	423	1.25	29.5	93.6	25.418
		1800	284T	02518AT3ECT284T-W22	\$3,333	L1	423	1.25	29.5	93.6	25.418	230/460	7
		1800	284T	02518AT3HCT284TF1-W2	\$3,333	L1	422	1.25	23.6	93.6	25.418	575	
		1800	284T	02518AT3HCT284T-W22	\$3,333	L1	422	1.25	23.6	93.6	25.418	575	7
		1800	284T	02518AT3PCT284TF1-W2	\$3,333	L1	422	1.25	67.9	93.6	25.418	200	
		1800	284T	02518AT3PCT284T-W22	\$3,333	L1	422	1.25	67.9	93.6	25.418	200	7
		1200	324T	02512AT3ECT324TF1-W2	\$5,709	L1	555	1.25	30.4	93.0	28.575	230/460	
		1200	324T	02512AT3HCT324TF1-W2	\$5,709	L1	605	1.25	24.3	93.0	28.575	575	
		30	22	1800	284/6T	03018AT3ECT286TF1-W2	\$3,850	L1	473	1.25	35.1	93.6	26.918
1800	284/6T			03018AT3ECT286T-W22	\$3,850	L1	473	1.25	35.1	93.6	26.918	230/460	7
1800	284/6T			03018AT3HCT286TF1-W2	\$3,850	L1	471	1.25	28.1	93.6	26.918	575	
1800	284/6T			03018AT3HCT286T-W22	\$3,850	L1	469	1.25	28.1	93.6	26.918	575	7
1800	284/6T			03018AT3PCT286TF1-W2	\$3,850	L1	473	1.25	80.7	93.6	26.918	200	
1800	284/6T			03018AT3PCT286T-W22	\$3,850	L1	473	1.25	80.7	93.6	26.918	200	7
1200	324/6T			03012AT3PCT326TF1-W2	\$6,246	L1	673	1.25	83.3	93.0	30.071	200	
40	30			1800	324T	04018AT3ECT324TF1-W2	\$4,949	L1	586	1.25	47.1	94.1	28.575
		1800	324T	04018AT3ECT324T-W22	\$4,949	L1	586	1.25	47.1	94.1	28.575	230/460	7
		1800	324T	04018AT3HCT324TF1-W2	\$4,949	L1	584	1.25	37.7	94.1	28.575	575	
		1800	324T	04018AT3HCT324T-W22	\$4,949	L1	580	1.25	37.7	94.1	28.575	575	7
		1800	324T	04018AT3PCT324TF1-W2	\$4,949	L1	576	1.25	108	94.1	28.575	200	
		1800	324T	04018AT3PCT324T-W22	\$4,949	L1	581	1.25	108	94.1	28.575	200	7
50	37	1800	324/6T	05018AT3ECT326T-W22	\$6,041	L1	662	1.25	59.2	94.5	30.071	230/460	7
		1800	324/6T	05018AT3HCT326T-W22	\$6,041	L1	662	1.25	47.3	94.5	30.071	575	7
		1800	324/6T	05018AT3PCT326T-W22	\$6,041	L1	662	1.25	136	94.5	30.071	200	7
60	45	1800	364/5T	06018AT3ECT364T-W22	\$8,752	L1	1036	1.25	68.3	95.0	29.390	230/460	7
75	55	1800	364/5T	07518AT3ECT365T-W22	\$10,222	L1	1047	1.25	84.1	95.4	29.390	230/460	7
100	75	1800	404/5T	10018AT3ECT405TF1-W2	\$11,412	L1	1268	1.25	87.2	95.4	36.417	230/460	
		1800	404/5T	10018AT3ECT405T-W22	\$11,412	L1	1268	1.25	87.2	95.4	36.417	230/460	7

Please refer to inside back cover for description of "NOTES"

For detailed specifications, data sheets, drawings and performance curves visit <http://www.weg.net>

Data subject to change without notice.

Can't find what you are looking for? Call 1-800-ASK-4WEG (275-4934)

Air Handling Motors

COOLING TOWER MOTORS - THREE-PHASE



TEFC - Dual Speed (1 & 2 Windings) - High Efficiency

HP	kW	RPM	Frame	Catalog Number	List Price	Mult. Symbol	Approx. Shipping Weight (lbs)	Service Factor	FL Amps @ High	FL. Eff (%)	"C" Dimension (in)	Voltage (V)	Notes
2/0.50	1.5/0.37	1800/900	143/5T	00289EP3PCT145VF1-W2	\$929	H1	53	1.25	6.40	82.5	13.358	200	23;30
		1800/900	143/5T	00289EP3PCT145V-W22	\$929	H1	56	1.25	6.40	82.5	13.358	200	7;23;30
3/0.75	2.2/0.55	1800/900	182T	00389EP3QCT182VF1-W2	\$1,369	H1	100	1.25	3.99	87.5	14.860	460	23;30
		1800/900	182T	00389EP3QCT182V-W22	\$1,369	H1	94	1.25	3.99	87.5	14.860	460	7;23;30
		1800/900	182T	00389EP3PCT182VF1-W2	\$1,369	H1	95	1.25	9.18	87.5	14.860	200	23;30
		1800/900	182T	00389EP3PCT182V-W22	\$1,369	H1	100	1.25	9.18	87.5	14.860	200	7;23;30
5/1.25	3.7/0.92	1800/900	182/4T	00589EP3QCT184VF1-W2	\$1,471	H1	105	1.25	6.63	87.5	15.860	460	23;30
		1800/900	182/4T	00589EP3QCT184V-W22	\$1,471	H1	104	1.25	6.63	87.5	15.860	460	7;23;30
		1800/900	182/4T	00589EP3HCT184VF1-W2	\$1,471	H1	104	1.25	5.30	87.5	15.860	575	23;30
		1800/900	182/4T	00589EP3HCT184V-W22	\$1,471	H1	104	1.25	5.30	87.5	15.860	575	7;23;30
		1800/900	182/4T	00589EP3PCT184VF1-W2	\$1,471	H1	104	1.25	15.2	87.5	15.860	200	23;30
		1800/900	182/4T	00589EP3PCT184V-W22	\$1,471	H1	104	1.25	15.2	87.5	15.860	200	7;23;30
		1800/900	213/5T	00589EP3QCT215V2F1-W	\$2,262	H1	181	1.25	6.55	88.5	19.517	460	22;30
		1800/900	213/5T	00589EP3QCT215V2-W22	\$2,262	H1	181	1.25	6.55	88.5	19.517	460	7;22;30
		1800/900	213/5T	00589EP3PCT215V2F1-W	\$2,262	H1	181	1.25	15.1	88.5	19.517	200	22;30
		1800/900	213/5T	00589EP3PCT215V2-W22	\$2,262	H1	181	1.25	15.1	88.5	19.517	200	7;22;30
7.5/1.75	5.5/1.3	1800/900	213T	00789EP3QCT213VF1-W2	\$1,672	H1	168	1.25	9.51	88.5	18.021	460	23;30
		1800/900	213T	00789EP3QCT213V-W22	\$1,672	H1	168	1.25	9.51	88.5	18.021	460	7;23;30
		1800/900	213T	00789EP3HCT213V-W22	\$1,672	H1	164	1.25	7.61	88.5	18.021	575	7;23;30
		1800/900	213T	00789EP3PCT213VF1-W2	\$1,672	H1	164	1.25	21.9	88.5	18.021	200	23;30
		1800/900	213T	00789EP3PCT213V-W22	\$1,672	H1	164	1.25	21.9	88.5	18.021	200	7;23;30
		1800/900	254T	00789EP3QCT254V2F1-W	\$2,808	H1	302	1.25	9.75	88.5	23.213	460	22;30
		1800/900	254T	00789EP3QCT254V2-W22	\$2,808	H1	302	1.25	9.75	88.5	23.213	460	7;22;30
		1800/900	254T	00789EP3PCT254V2F1-W	\$2,808	H1	302	1.25	22.4	88.5	23.213	200	22;30
1800/900	254T	00789EP3PCT254V2-W22	\$2,808	H1	302	1.25	22.4	88.5	23.213	200	7;22;30		
10/2.5	7.5/1.85	1800/900	213/5T	01089EP3QCT215VF1-W2	\$1,891	H1	181	1.25	13.0	88.5	19.517	460	23;30
		1800/900	213/5T	01089EP3QCT215V-W22	\$1,891	H1	181	1.25	13.0	88.5	19.517	460	7;23;30
		1800/900	213/5T	01089EP3HCT215VF1-W2	\$1,891	H1	168	1.25	10.4	88.5	19.517	575	23;30
		1800/900	213/5T	01089EP3HCT215V-W22	\$1,891	H1	168	1.25	10.4	88.5	19.517	575	7;23;30
		1800/900	213/5T	01089EP3PCT215VF1-W2	\$1,891	H1	168	1.25	29.9	88.5	19.517	200	23;30
		1800/900	213/5T	01089EP3PCT215V-W22	\$1,891	H1	168	1.25	29.9	88.5	19.517	200	7;23;30
		1800/900	254/6T	01089EP3QCT256V2F1-W	\$3,052	H1	346	1.25	13.0	89.5	24.945	460	22;30
		1800/900	254/6T	01089EP3QCT256V2-W22	\$3,052	H1	363	1.25	13.0	89.5	24.945	460	7;22;30
		1800/900	254/6T	01089EP3PCT256V2F1-W	\$3,052	H1	346	1.25	29.9	89.5	24.945	200	22;30
		1800/900	254/6T	01089EP3PCT256V2-W22	\$3,052	H1	346	1.25	29.9	89.5	24.945	200	7;22;30

continued on next page



TEFC - Dual Speed (1 & 2 Windings) - High Efficiency - *continued*

HP	kW	RPM	Frame	Catalog Number	List Price	Mult. Symbol	Approx. Shipping Weight (lbs)	Service Factor	FL Amps @ High	FL Eff (%)	"C" Dimension (in)	Voltage (V)	Notes
15/3.75	11/2.8	1800/900	254T	01589EP3QCT254VF1-W2	\$2,572	H1	324	1.25	19.0	89.5	23.213	460	23;30
		1800/900	254T	01589EP3QCT254V-W22	\$2,572	H1	324	1.25	19.0	89.5	23.213	460	7;23;30
		1800/900	254T	01589EP3HCT254VF1-W2	\$2,572	H1	324	1.25	15.2	89.5	23.213	575	23;30
		1800/900	254T	01589EP3HCT254V-W22	\$2,572	H1	288	1.25	15.2	89.5	23.213	575	7;23;30
		1800/900	254T	01589EP3PCT254VF1-W2	\$2,572	H1	288	1.25	43.8	89.5	23.213	200	23;30
		1800/900	254T	01589EP3PCT254V-W22	\$2,572	H1	288	1.25	43.8	89.5	23.213	200	7;23;30
		1800/900	284T	01589EP3QCT284V2F1-W	\$3,878	H1	439	1.25	18.7	90.2	26.433	460	22;30
		1800/900	284T	01589EP3QCT284V2-W22	\$3,878	H1	435	1.25	18.7	90.2	26.433	460	7;22;30
		1800/900	284T	01589EP3PCT284V2F1-W	\$3,878	H1	435	1.25	43.0	90.2	26.433	200	22;30
		1800/900	284T	01589EP3PCT284V2-W22	\$3,878	H1	435	1.25	43.0	90.2	26.433	200	7;22;30
		1200/600	284/6T	01526EP3PCT286V-W22	\$3,274	H1	271	1.15	41.4	90.2	27.929	200	7;23;30
20/5	15/3.7	1800/900	254/6T	02089EP3QCT256VF1-W2	\$2,923	H1	360	1.25	26.1	90.2	24.945	460	23;30
		1800/900	254/6T	02089EP3QCT256V-W22	\$2,923	H1	360	1.25	26.1	90.2	24.945	460	7;23;30
		1800/900	254/6T	02089EP3HCT256VF1-W2	\$2,923	H1	335	1.25	20.9	90.2	24.945	575	23;30;51
		1800/900	254/6T	02089EP3HCT256V-W22	\$2,923	H1	335	1.25	20.9	90.2	24.945	575	7;23;30
		1800/900	254/6T	02089EP3PCT256VF1-W2	\$2,923	H1	362	1.25	60.0	90.2	24.945	200	23;30
		1800/900	254/6T	02089EP3PCT256V-W22	\$2,923	H1	335	1.25	60.0	90.2	24.945	200	7;23;30
		1800/900	284/6T	02089EP3QCT286V2F1-W	\$4,827	H1	503	1.25	24.9	91.0	27.929	460	22;30
		1800/900	284/6T	02089EP3QCT286V2-W22	\$4,827	H1	503	1.25	24.9	91.0	27.929	460	7;22;30
		1800/900	284/6T	02089EP3PCT286V2F1-W	\$4,827	H1	512	1.25	57.3	91.0	27.929	200	22;30
		1800/900	284/6T	02089EP3PCT286V2-W22	\$4,827	H1	512	1.25	57.3	91.0	27.929	200	7;22;30
25/6.3	18.5/4.6	1800/900	284/6T	02589EP3QCT286VF1-W2	\$4,199	H1	500	1.25	29.4	91.7	27.929	460	23;30
		1800/900	284/6T	02589EP3QCT286V-W22	\$4,199	H1	512	1.25	29.4	91.7	27.929	460	7;23;30
		1800/900	284/6T	02589EP3HCT286VF1-W2	\$4,199	H1	500	1.25	23.5	91.7	27.929	575	23;30
		1800/900	284/6T	02589EP3HCT286V-W22	\$4,199	H1	512	1.25	23.5	91.7	27.929	575	7;23;30
		1800/900	284/6T	02589EP3PCT286VF1-W2	\$4,199	H1	512	1.25	67.6	91.7	27.929	200	23;30
		1800/900	324T	02589EP3QCT324V2F1-W	\$5,826	H1	531	1.25	30.9	91.7	29.620	460	22;30
		1800/900	324T	02589EP3QCT324V2-W22	\$5,826	H1	580	1.25	30.9	91.7	29.620	460	7;22;30
		1800/900	324T	02589EP3PCT324V2F1-W	\$5,826	H1	531	1.25	71.1	91.7	29.620	200	22;30
		1800/900	324T	02589EP3PCT324V2-W22	\$5,826	H1	531	1.25	71.1	91.7	29.620	200	7;22;30

continued on next page

Air Handling Motors

Please refer to inside back cover for description of "NOTES"

For detailed specifications, data sheets, drawings and performance curves visit <http://www.weg.net>

Data subject to change without notice.

COOLING TOWER MOTORS - THREE-PHASE

TEFC - Dual Speed (1 & 2 Windings) - High Efficiency - *continued*

HP	kW	RPM	Frame	Catalog Number	List Price	Mult. Symbol	Approx. Shipping Weight (lbs)	Service Factor	FL Amps @ High	FL Eff (%)	"C" Dimension (in)	Voltage (V)	Notes
30/7.5	22/5.5	1800/900	324T	03089EP3QCT324VF1-W2	\$4,725	H1	578	1.25	37.2	91.7	29.620	460	23;30
		1800/900	324T	03089EP3QCT324V-W22	\$4,725	H1	578	1.25	37.2	91.7	29.620	460	7;23;30
		1800/900	324T	03089EP3HCT324VF1-W2	\$4,725	H1	542	1.25	29.8	91.7	29.620	575	23;30
		1800/900	324T	03089EP3HCT324V-W22	\$4,725	H1	542	1.25	29.8	91.7	29.620	575	7;23;30
		1800/900	324T	03089EP3PCT324VF1-W2	\$4,725	H1	581	1.25	85.5	91.7	29.620	200	23;30
		1800/900	324T	03089EP3PCT324V-W22	\$4,725	H1	542	1.25	85.5	91.7	29.620	200	7;23;30
		1800/900	324/6T	03089EP3QCT326V2F1-W	\$6,995	H1	625	1.25	37.4	92.4	31.116	460	22;30
		1800/900	324/6T	03089EP3QCT326V2-W22	\$6,995	H1	625	1.25	37.4	92.4	31.116	460	7;22;30
		1800/900	324/6T	03089EP3PCT326V2F1-W	\$6,995	H1	625	1.25	86.0	92.4	31.116	200	22;30
		1800/900	324/6T	03089EP3PCT326V2-W22	\$6,995	H1	625	1.25	86.0	92.4	31.116	200	7;22;30
		1200/600	364/5T	03026EP3QCT364V-W22	\$7,435	H1	542	1.15	35.4	91.7	34.251	460	7;23;30
40/10	30/7.5	1800/900	324/6T	04089EP3QCT326VF1-W2	\$5,464	H1	640	1.25	47.9	92.4	31.116	460	23;30
		1800/900	324/6T	04089EP3QCT326V-W22	\$5,464	H1	625	1.25	47.9	92.4	31.116	460	7;23;30
		1800/900	324/6T	04089EP3HCT326VF1-W2	\$5,464	H1	625	1.25	38.3	92.4	31.116	575	23;30,51
		1800/900	324/6T	04089EP3HCT326V-W22	\$5,464	H1	625	1.25	38.3	92.4	31.116	575	7;23;30
		1800/900	324/6T	04089EP3PCT326VF1-W2	\$5,464	H1	625	1.25	110	92.4	31.116	200	23;30
		1800/900	324/6T	04089EP3PCT326V-W22	\$5,464	H1	625	1.25	110	92.4	31.116	200	7;23;30
		1800/900	364/5T	04089EP3QCT364V2F1-W	\$8,720	H1	986	1.25	46.8	92.4	34.251	460	22;30
		1800/900	364/5T	04089EP3QCT364V2-W22	\$8,720	H1	1029	1.25	46.8	92.4	34.251	460	7;22;30
		1800/900	364/5T	04089EP3PCT364V2F1-W	\$8,720	H1	1029	1.25	108	92.4	34.251	200	22;30,51
		1800/900	364/5T	04089EP3PCT364V2-W22	\$8,720	H1	1029	1.25	108	92.4	34.251	200	7;22;30
50/12.5	37/9.2	1800/900	364/5T	05089EP3QCT364VF1-W2	\$7,526	H1	968	1.25	59.8	92.4	34.251	460	23;30
		1800/900	364/5T	05089EP3QCT364V-W22	\$7,526	H1	968	1.25	59.8	92.4	34.251	460	7;23;30
		1800/900	364/5T	05089EP3QCT365V2F1-W	\$11,093	H1	1042	1.25	57.0	92.5	34.251	460	22;30
		1800/900	364/5T	05089EP3QCT365V2-W22	\$11,093	H1	1102	1.25	57.0	92.5	34.251	460	7;22;30
		1800/900	364/5T	05089EP3HCT364VF1-W2	\$7,526	H1	1051	1.25	47.8	92.4	34.251	575	23;30
		1800/900	364/5T	05089EP3HCT364V-W22	\$7,526	H1	1051	1.25	47.8	92.4	34.251	575	7;23;30
		1800/900	364/5T	05089EP3PCT364VF1-W2	\$7,526	H1	1051	1.25	138	92.4	34.251	200	23;30
		1800/900	364/5T	05089EP3PCT364V-W22	\$7,526	H1	1051	1.25	138	92.4	34.251	200	7;23;30
		1800/900	364/5T	05089EP3PCT365V2F1-W	\$11,093	H1	1102	1.25	131	92.5	34.251	200	22;30
		1800/900	364/5T	05089EP3PCT365V2-W22	\$11,093	H1	1102	1.25	131	92.5	34.251	200	7;22;30
60/15	45/11	1800/900	364/5T	06089EP3QCT365VF1-W2	\$11,068	H1	997	1.25	72.3	93.0	34.251	460	23;30
		1800/900	364/5T	06089EP3QCT365V-W22	\$11,068	H1	1015	1.25	72.3	93.0	34.251	460	7;23;30
		1800/900	364/5T	06089EP3PCT365VF1-W2	\$11,068	H1	1102	1.25	166	93.0	34.251	200	23;30
		1800/900	364/5T	06089EP3PCT365V-W22	\$11,068	H1	1102	1.25	166	93.0	34.251	200	7;23;30
75/18.5	55/13.6	1800/900	404/5T	07589EP3QCT404VF1-W2	\$14,226	H1	1294	1.25	85.3	93.0	39.730	460	23;30
		1800/900	404/5T	07589EP3QCT404V-W22	\$14,226	H1	1294	1.25	85.3	93.0	39.730	460	7;23;30
		1800/900	404/5T	07589EP3PCT404VF1-W2	\$14,226	H1	1245	1.25	196	93.0	39.730	200	23;30
		1800/900	404/5T	07589EP3PCT404V-W22	\$14,226	H1	1245	1.25	196	93.0	39.730	200	7;23;30
100/25	75/18.5	1800/900	444/5T	10089EP3QCT444VF1-W2	\$16,398	H1	2149	1.25	119	94.1	44.950	460	23;30
		1800/900	444/5T	10089EP3QCT444V-W22	\$16,398	H1	2162	1.25	119	94.1	44.950	460	7;23;30
		1800/900	444/5T	10089EP3PCT444VF1-W2	\$16,398	H1	2149	1.25	274	94.1	44.950	200	23;30
		1800/900	444/5T	10089EP3PCT444V-W22	\$16,398	H1	2149	1.25	274	94.1	44.950	200	7;23;30

Air Handling Motors

Please refer to inside back cover for description of "NOTES"

 For detailed specifications, data sheets, drawings and performance curves visit <http://www.weg.net>

Air Handling Motors

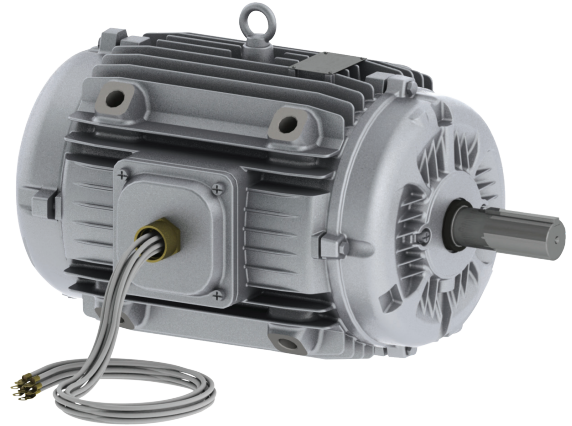
PAD MOUNT MOTORS

Three-Phase TEAO - NEMA Premium®

These TEAO motors are supplied with a detached terminal box and extended leads for remote installation.

Standard Features:

- Footless, pad mount frame
- Class F insulation (impregnation resin and magnet wire are Class H)
- NEMA Premium Efficiency
- Stainless Steel Nameplate – Laser etched with high contrast background
- Color RAL 9006



Features that make a difference:

- Terminal box supplied loose and extended leads
- Greased for life bearings (365Y and below)
- Terminal block – 6 Pins
- Winding Thermistors 155C
- Internal AEGIS shaft grounding ring

Inverter Rated:

1000 : 1 for variable torque



Air Handling Motors

PAD MOUNT MOTORS - THREE-PHASE



TEAO-NEMAPremium

HP	kW	RPM	Frame	Catalog Number	List Price	Mult. Symbol	Approx. Shipping Weight(lbs)	Service Factor	FLAmps@ High	FL.Eff(%)	"C" Dimension(in)	Voltage(V)	Notes
0.75	0.55	3600	145Y	.7536ET3EPM145Y-W22	\$926.51	Y1	36	1.00	1.17	79.6	11.457	230/460	34;38
0.75	0.55	1800	145Y	.7518ET3EPM145Y-W22	\$938.58	Y1	41	1.00	1.21	84.0	11.457	230/460	34;38
1	0.75	3600	145Y	00136ET3EPM145Y-W22	\$931.95	Y1	41	1.00	1.49	77.0	11.457	230/460	34;38
1	0.75	1800	145Y	00118ET3EPM145Y-W22	\$ 944.39	Y1	46	1.00	1.47	85.5	11.457	230/460	34;38
1.5	1.1	3600	145Y	00156ET3EPM145Y-W22	\$ 924.52	Y1	46	1.00	2.05	84.0	11.457	230/460	34;38
1.5	1.1	1800	145Y	00158ET3EPM145Y-W22	\$981.81	Y1	49	1.00	2.02	86.5	11.457	230/460	34;38
2	1.5	3600	145Y	00236ET3EPM145Y-W22	\$1,025.03	Y1	52	1.00	2.69	85.5	11.457	230/460	34;38
2	1.5	1800	145Y	00218ET3EPM145Y-W22	\$1,084.35	Y1	51	1.00	2.79	86.5	11.457	230/460	34;38
3	2.2	3600	184Y	00336ET3EPM184Y-W22	\$1,227.31	Y1	88	1.00	3.76	86.5	13.622	230/460	34;38
3	2.2	1800	184Y	00318ET3EPM184Y-W22	\$1,145.80	Y1	90	1.00	3.91	89.5	13.622	230/460	34;38
5	3.7	3600	184Y	00536ET3EPM184Y-W22	\$1,327.61	Y1	101	1.00	5.9	88.5	13.622	230/460	34;38
5	3.7	1800	184Y	00518ET3EPM184Y-W22	\$1,269.41	Y1	110	1.00	6.49	89.5	13.622	230/460	34;38
7.5	5.5	3600	215Y	00736ET3EPM215Y-W22	\$1,729.89	Y1	139	1.00	8.76	89.5	17.155	230/460	34;38
7.5	5.5	1800	215Y	00718ET3EPM215Y-W22	\$1,654.71	Y1	154	1.00	9.18	91.7	17.155	230/460	34;38
10	7.5	3600	215Y	01036ET3EPM215Y-W22	\$1,914.26	Y1	163	1.00	11.6	90.2	17.155	230/460	34;38
10	7.5	1800	215Y	01018ET3EPM215Y-W22	\$1,826.44	Y1	172	1.00	12.7	91.7	17.155	230/460	34;38
15	11	3600	256Y	01536ET3EPM256Y-W22	\$2,558.66	Y1	291	1.00	17.2	91.0	22.267	230/460	34;38
15	11	1800	256Y	01518ET3EPM256Y-W22	\$2,464.84	Y1	251	1.00	18	92.4	22.267	230/460	34;38
20	15	3600	256Y	02036ET3EPM256Y-W22	\$3,077.28	Y1	249	1.00	23.3	91.0	22.267	230/460	34;38
20	15	1800	256Y	02018ET3EPM256Y-W22	\$2,982.55	Y1	328	1.00	24.1	93.0	22.267	230/460	34;38
25	18.5	3600	286Y	02536ET3EPM286Y-W22	\$4,275.80	Y1	362	1.00	28.8	91.7	24.797	230/460	34;38
25	18.5	1800	286Y	02518ET3EPM286Y-W22	\$3,850.15	Y1	353	1.00	29.5	93.6	24.797	230/460	34;38
30	22	3600	286Y	03036ET3EPM286Y-W22	\$4,945.49	Y1	351	1.00	34.2	91.7	24.797	230/460	34;38
30	22	1800	286Y	03018ET3EPM286Y-W22	\$4,425.34	Y1	437	1.00	35.1	93.6	24.797	230/460	34;38
40	30	3600	326Y	04036ET3EPM326Y-W22	\$6,550.19	Y1	547	1.00	46.3	92.4	27.52	230/460	34;38
40	30	1800	326Y	04018ET3EPM326Y-W22	\$5,787.96	Y1	492	1.00	47.1	94.1	27.52	230/460	34;38
50	37	1800	326Y	05018ET3EPM326Y-W22	\$6,855.89	Y1	536	1.00	59.2	94.5	27.52	230/460	34;38
60	45	1800	365Y	06018ET3EPM365Y-W22	\$8,918.39	Y1	869	1.00	71.6	95.0	30.283	230/460	34;38
75	55	1800	365Y	07518ET3EPM365Y-W22	\$10,300.08	Y1	919	1.00	87.2	95.4	30.283	230/460	34;38
100	75	1800	405Y	10018ET3EPM405Y-W22	\$13,889.39	Y1	1140	1.00	113	95.4	34.173	230/460	34;38

- Models in black text are Standard Efficiency
- Models in blue text are NEMA Premium® Efficiency
- Models in green text are NEMA Super Premium Efficiency

Catalog Notes

1	1.0 Service Factor	31	Rating is suitable for 1.0SF @ 50Hz. Also suitable for next lower HP @ 1.15SF 50Hz
2	Aluminum Frame with Removable Feet	32	Suitable for 1.15SF @ 50°C ambient
3	Automatic Reset Thermal Overload Protector	33	Suitable for 380V 60Hz when wired as YY (double WYE)
4	Manual Reset Thermal Overload Protector	34	AEGIS® Inside
5	CCW Rotation Viewed from Shaft End - Non Reversible	35	AEGIS® ring installation reduces the available "N-W" length
6	Compressor Duty	36	Super Premium
7	F2 Mount	37	Design A
8	F3 Mount	38	TEAO - Totally Enclosed Air Over
9	Rolled Steel Frame - Cannot be modified with T Box on opposite side	39	Cannot be modified with T Box on opposite side
10	Not Thermally Protected	40	NDE shaft with 3/8" drive socket
11	Metal fan - Not suitable for division 2	41	Also rated 230/460V 50Hz 1.0 SF
12	Reduced Frame	42	Rated 50°C ambient
13	Resilient Base	43	With insulated non drive end housing
14	Roller Bearing	44	With air deflector. Flange MOD not available
15	Round Body - Drip Cover Included	45	Also rated 380V 50Hz
16	Split-Phase Motor	46	56J shaft end with dual opposed threads (7/16-20 UNF-2A R.H and 3/8-16 UNF-2A L.H)
17	TENV - Totally Enclosed Non Ventilated	47	Motor designed with copper bar rotor
18	Z-Frame; Bigger Shaft Diameter and Bearings	48	Motor suitable for safe area only
19	105K Temperature Rise; VFD service requires HP derate	49	Rating suitable for replate to 1.15SF on variable torque VFD power
20	Round Body - Drip Cover NOT Included	50	Rating requires replate to Class H insulation for 1.15SF on variable torque VFD power
21	Stainless Steel Body	51	Not normally stocked. Factory build lead time may apply
22	Two Speed - Double Windings		
23	Two Speed - Single Winding		
24	Modified item. Usually ships in two weeks		
25	Brake rectifier suitable for 230VAC		
26	Brake rectifier suitable for 460VAC		
27	For Export Only (not to be used in the USA) due to Certification and/or Efficiency requirements.		
28	ODP Fan Cooled		
29	Standard Efficiency		
30	High Efficiency (EPACT)		