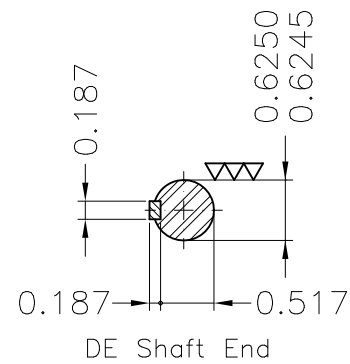
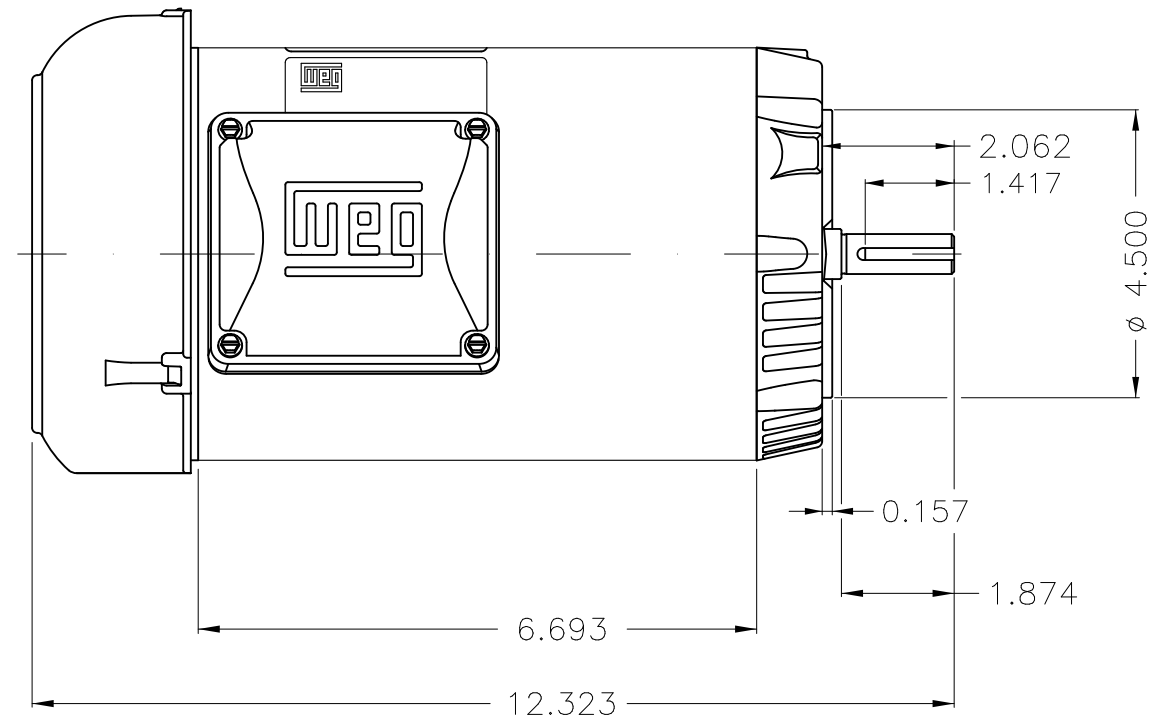
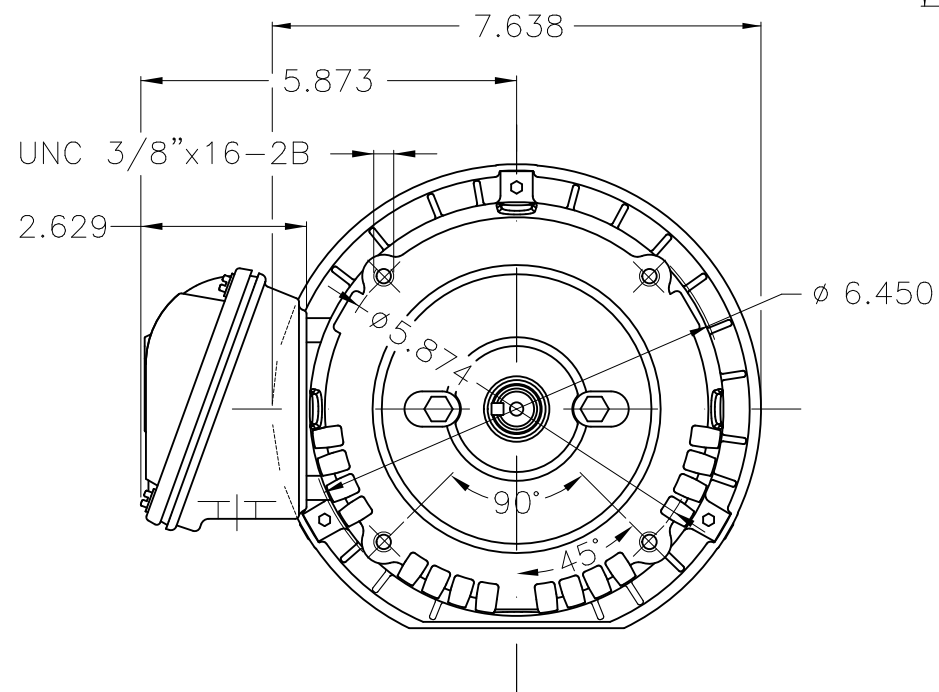
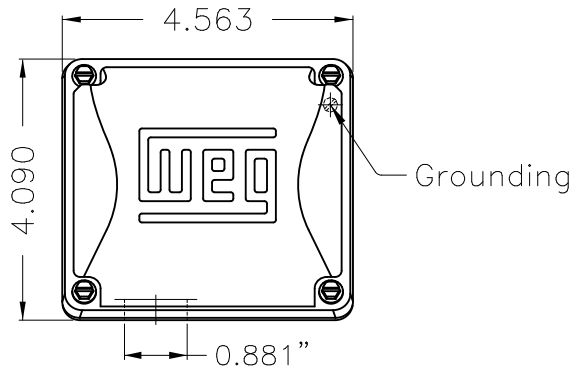


1 2

Dimensões em polegada  
Dimensions in inches

5 6

THIS IS AN UPDATED REVISION, THE  
PREVIOUS ONE MUST BE DISREGARDED.



Color Munsell N 1 matte black  
Painting plan 207N  
Mounting F-1/B14R(D)

ECM	LOC	SUMMARY OF MODIFICATIONS			EXECUTED	CHECKED	RELEASED	DATE	VER
EXECUTED	USERADMIN		THREE PHASE MOTOR TEFC ROLLED STEEL						
CHECKED			FRAME 56C IP55 TEFC						
RELEASED			WEG code: 12894703						
REL DT	23.01.2018	WMO	Jaragua do Sul	Product Engineering	SHEET	1 / 1			

0.5 HP 06 Poles 60Hz

A

