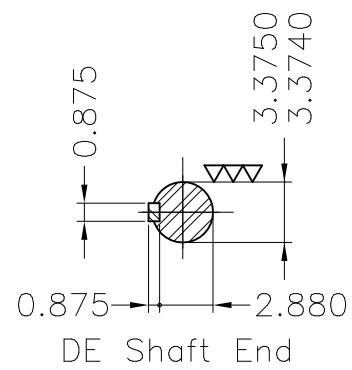
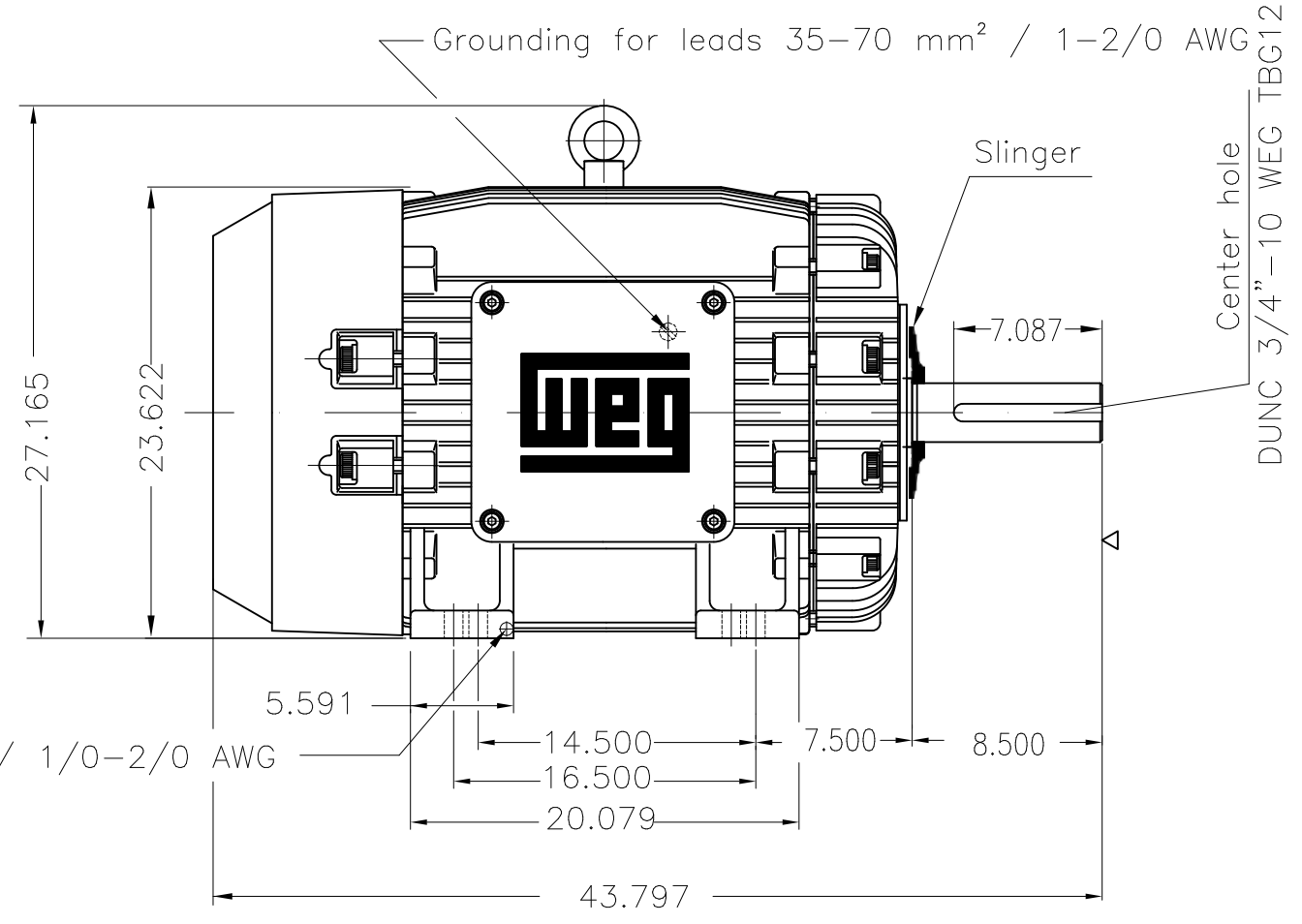
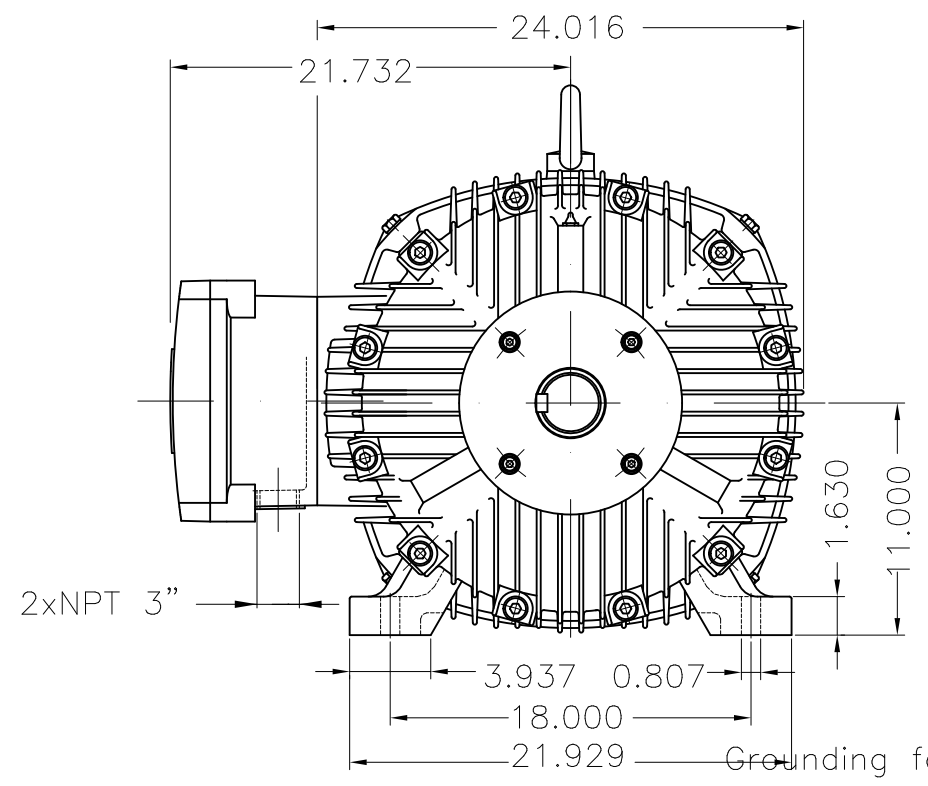


Dimensões em polegada  
Dimensions in inches

THIS IS AN UPDATED REVISION, THE  
PREVIOUS ONE MUST BE DISREGARDED.



Color RAL 5009  
Painting plan 202P  
Mounting B3R(D)

ECM	LOC	SUMMARY OF MODIFICATIONS	EXECUTED	CHECKED	RELEASED	DATE	VER
EXECUTED	USERADMIN	THREE PHASE EXPL. PROOF MOTOR NEMA P.EFF					
CHECKED		FRAME 444/5T IP55 TEFC					
RELEASED		WEG code: 12408373					
REL DT	23.01.2018	WMO Jaragua do Sul	Product Engineering	SHEET	1 / 1		

100 HP 08 Poles 60Hz

A

