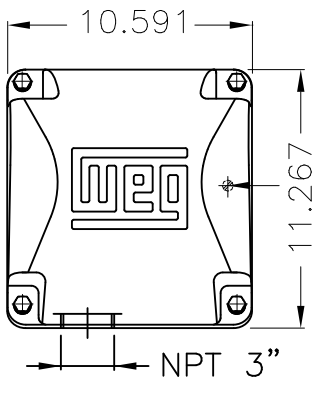


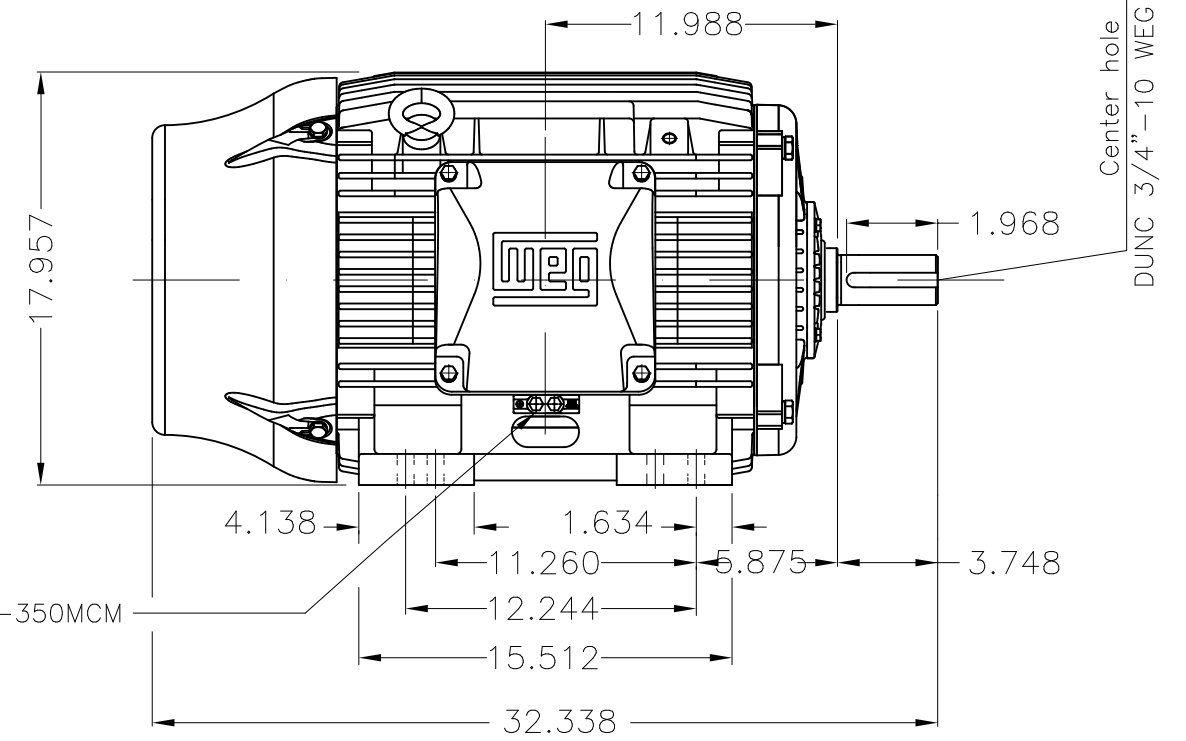
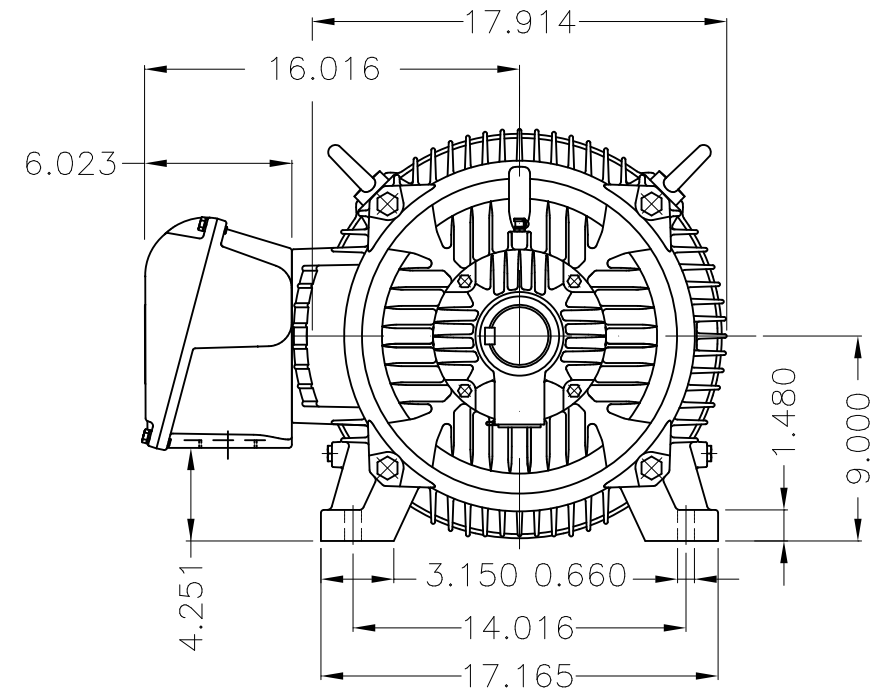
Dimensões em polegada  
Dimensions in inches

THIS IS AN UPDATED REVISION, THE  
PREVIOUS ONE MUST BE DISREGARDED.



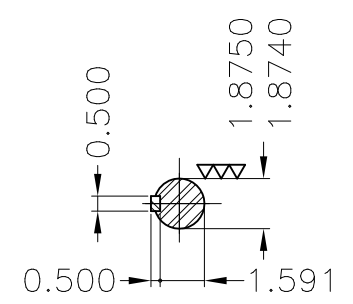
Grounding for leads 25-50 mm<sup>2</sup> / 3-1 AWG

Main terminal box



Grounding for leads 25-185 mm<sup>2</sup> / 3AWG-350MCM

Center hole  
DUNC 3/4"-10 WEG TBG12



DE Shaft End

Color RAL 6002  
Painting plan 203A  
Mounting B3R(D)

ECM	LOC	SUMMARY OF MODIFICATIONS			EXECUTED	CHECKED	RELEASED	DATE	VER
EXECUTED	USERADMIN		THREE PHASE W22 MOTOR-SUPER PREMIUM EFF						
CHECKED			FRAME 364/5TS IP55 TEFC						
RELEASED			WEG code: 11792475						
REL DT	24.01.2018	WMO	Jaragua do Sul	Product Engineering	SHEET	1 / 1			

75 HP 02 Poles 60Hz

A

