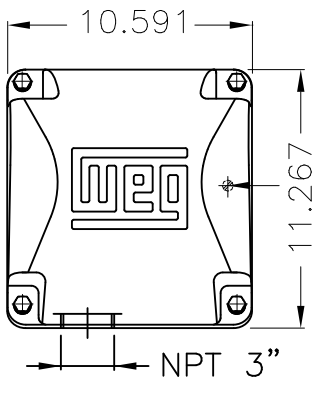


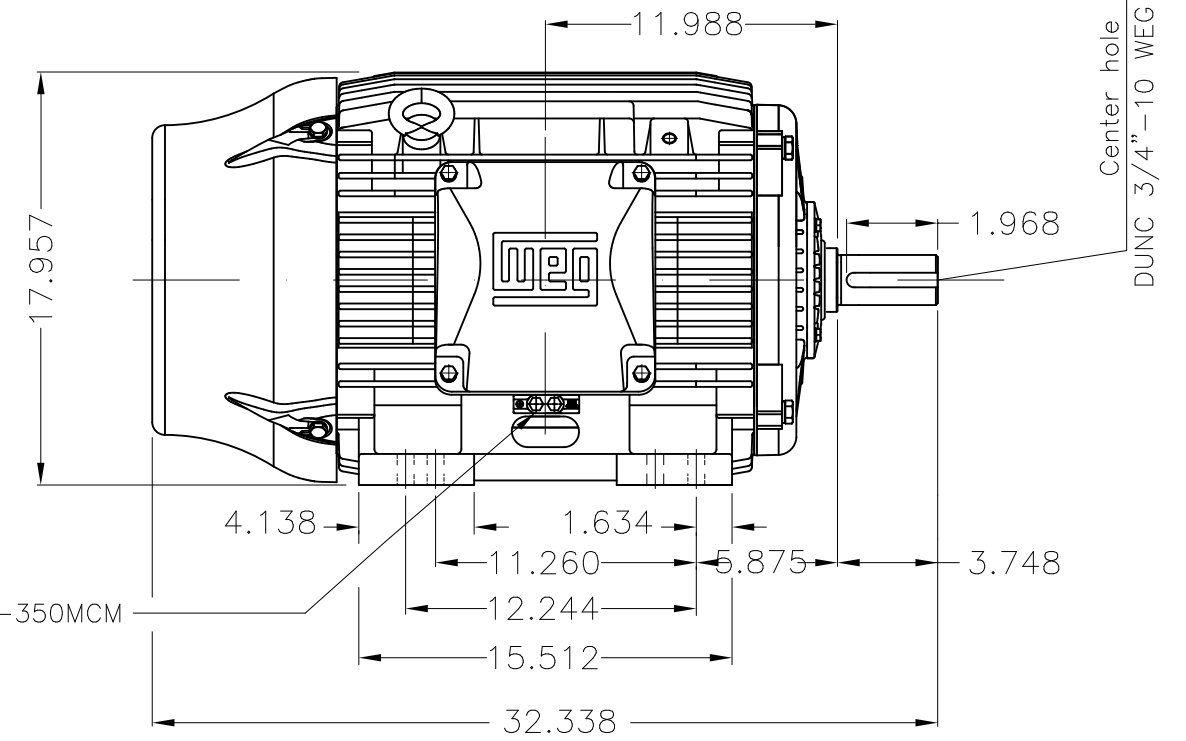
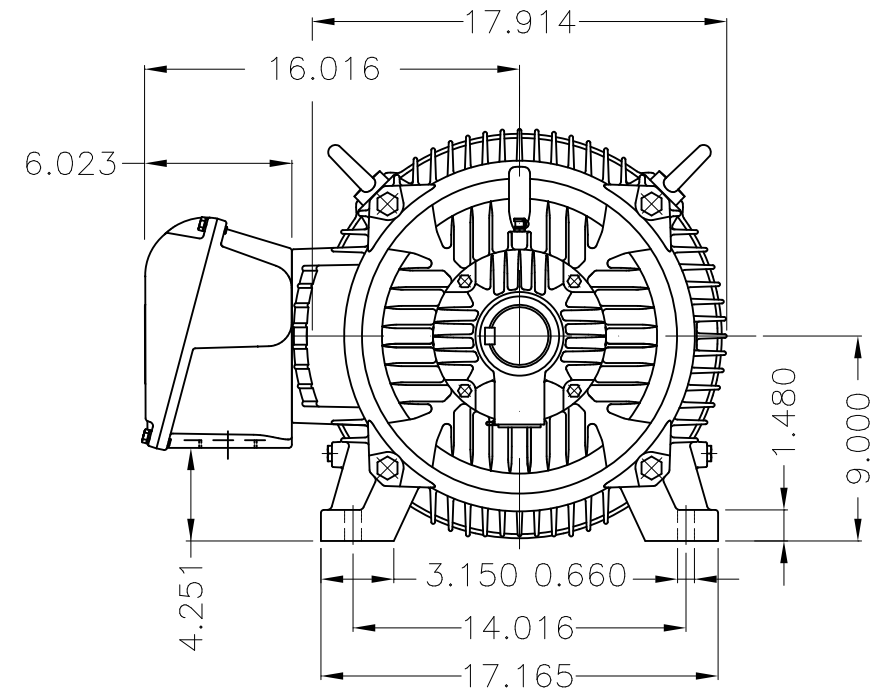
Dimensões em polegada
Dimensions in inches

THIS IS AN UPDATED REVISION, THE
PREVIOUS ONE MUST BE DISREGARDED.



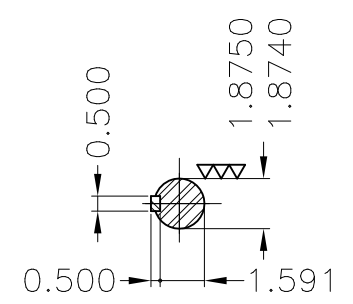
Grounding for leads 25-50 mm² / 3-1 AWG

Main terminal box



Grounding for leads 25-185 mm² / 3AWG-350MCM

Center hole
DUNC 3/4"-10 WEG TBG12



DE Shaft End

Type test without inspector - 1 motor/lot
 Certification UL/FIRE PUMP
 TS shaft end
 Color RAL 5009
 Painting plan 203A
 Mounting B3R(D)

ECM	LOC	SUMMARY OF MODIFICATIONS			EXECUTED	CHECKED	RELEASED	DATE	VER
EXECUTED	USERADMIN		THREE PHASE W22 MOTOR - HIGH EFF						
CHECKED			FRAME 364/5TS IP55 TEFC						
RELEASED			WEG code: 13506088						
REL DT	18.01.2018	WMO	Jaragua do Sul	Product Engineering	SHEET	1 / 1			

75 HP 04 Poles 50 Hz

A



ZME A3