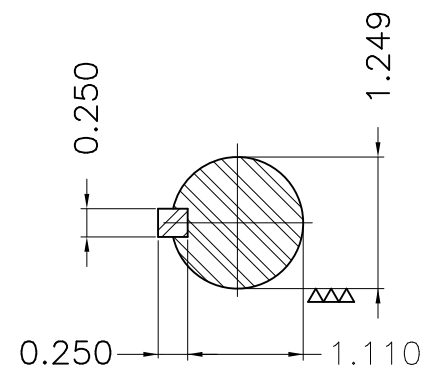
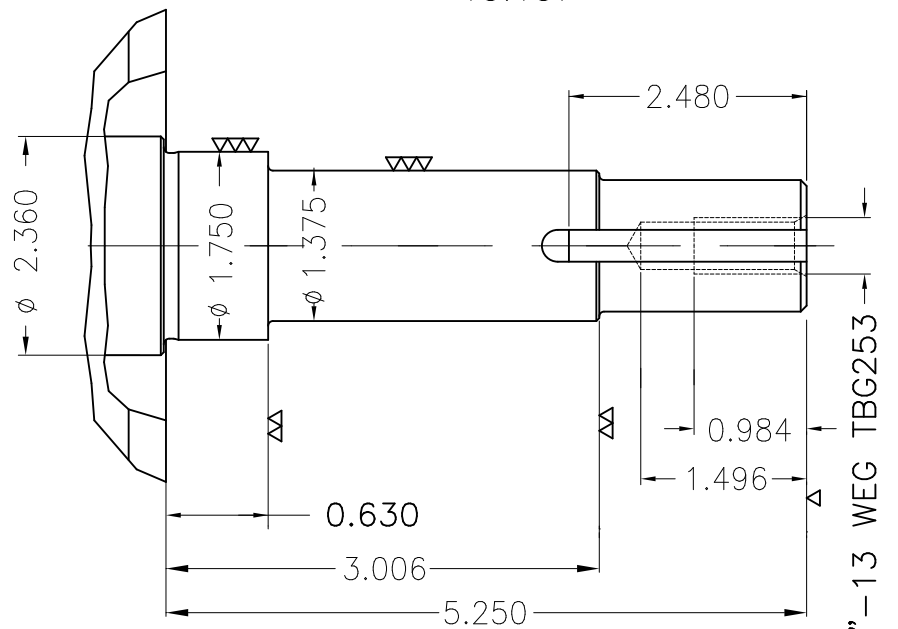
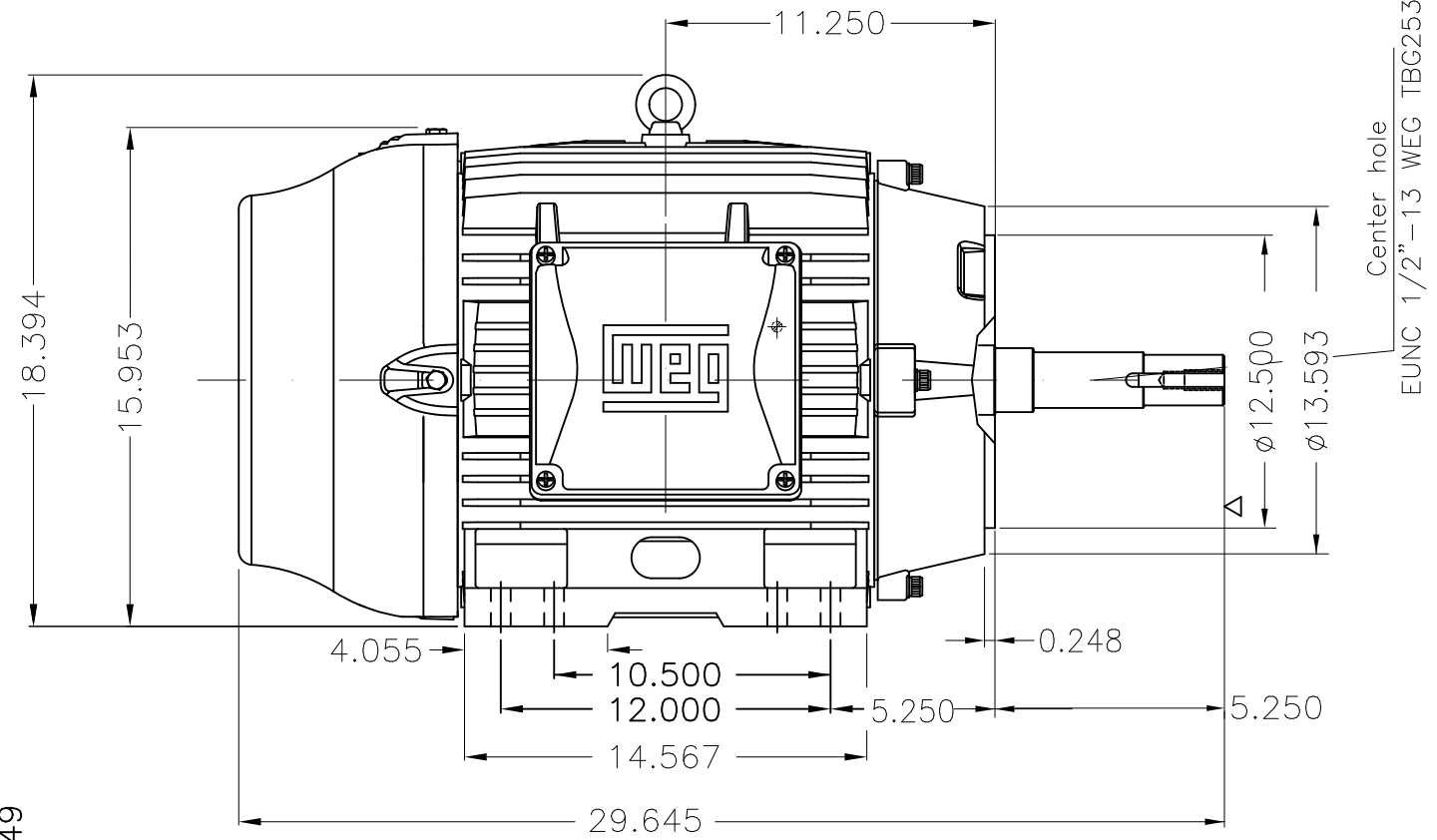
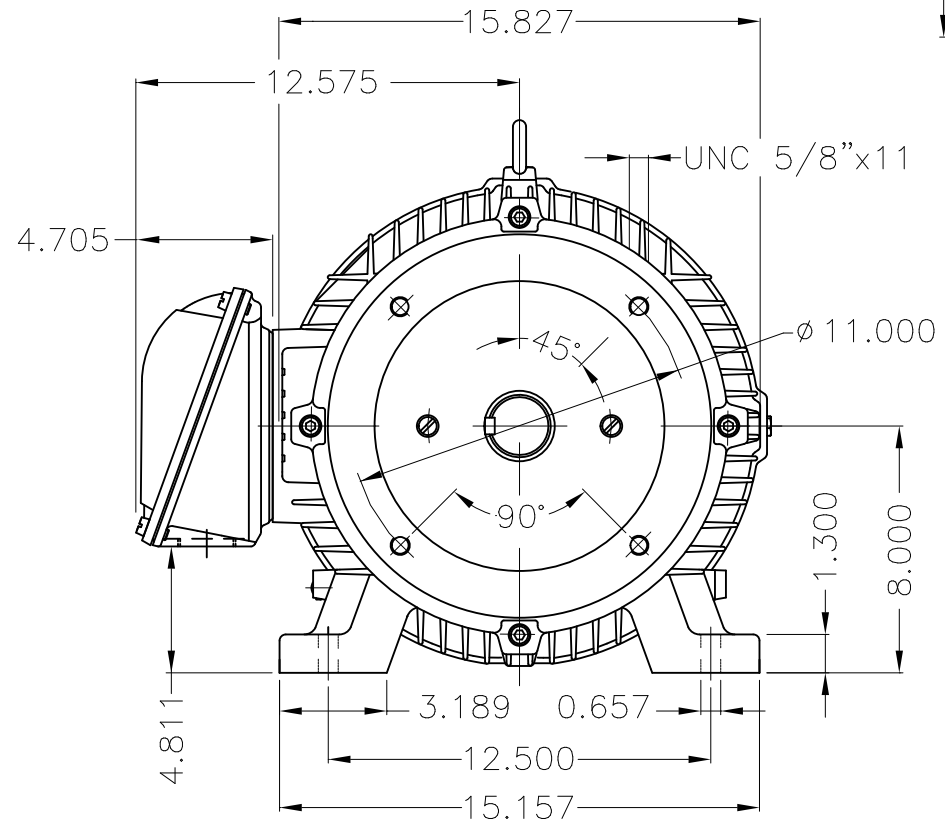
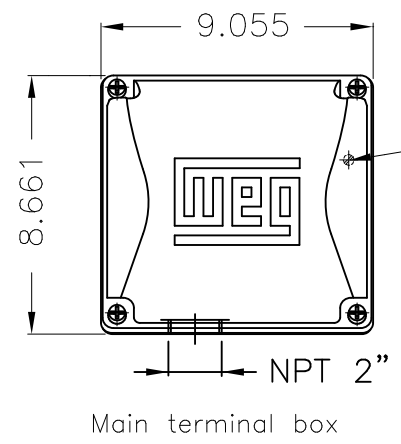


Dimensões em polegada
Dimensions in inches

THIS IS AN UPDATED REVISION, THE
PREVIOUS ONE MUST BE DISREGARDED.



Center hole
EUNC 1/2"-13 WEG TBG253

EUNC 1/2"-13 WEG TBG253

Color RAL 5009
Painting plan 203A
Mounting B34R(D)

| ECM | LOC | SUMMARY OF MODIFICATIONS | EXECUTED | CHECKED | RELEASED | DATE | VER |
|----------|------------|---|---------------------|---------|----------|------|-----|
| EXECUTED | USERADMIN | THREE PHASE MOTOR W22 NEMA PREMIUM EFF. | | | | | |
| CHECKED | | FRAME 324/6JM IP55 TEFC | | | | | |
| RELEASED | | WEG code: 12113106 | | | | | |
| REL DT | 22.01.2018 | WMO Jaragua do Sul | Product Engineering | SHEET | 1 / 1 | | |

50 HP 02 Poles 60Hz

A

