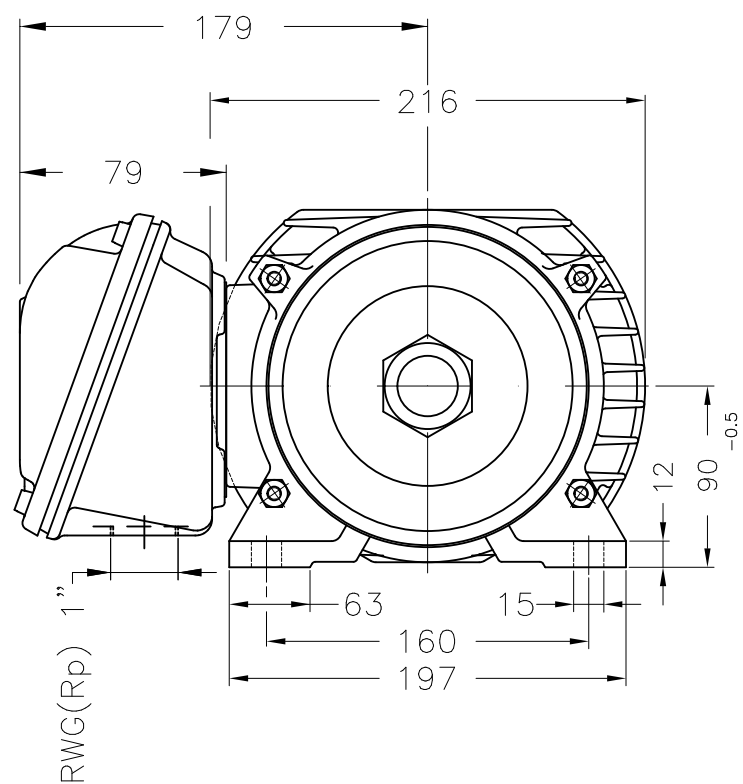
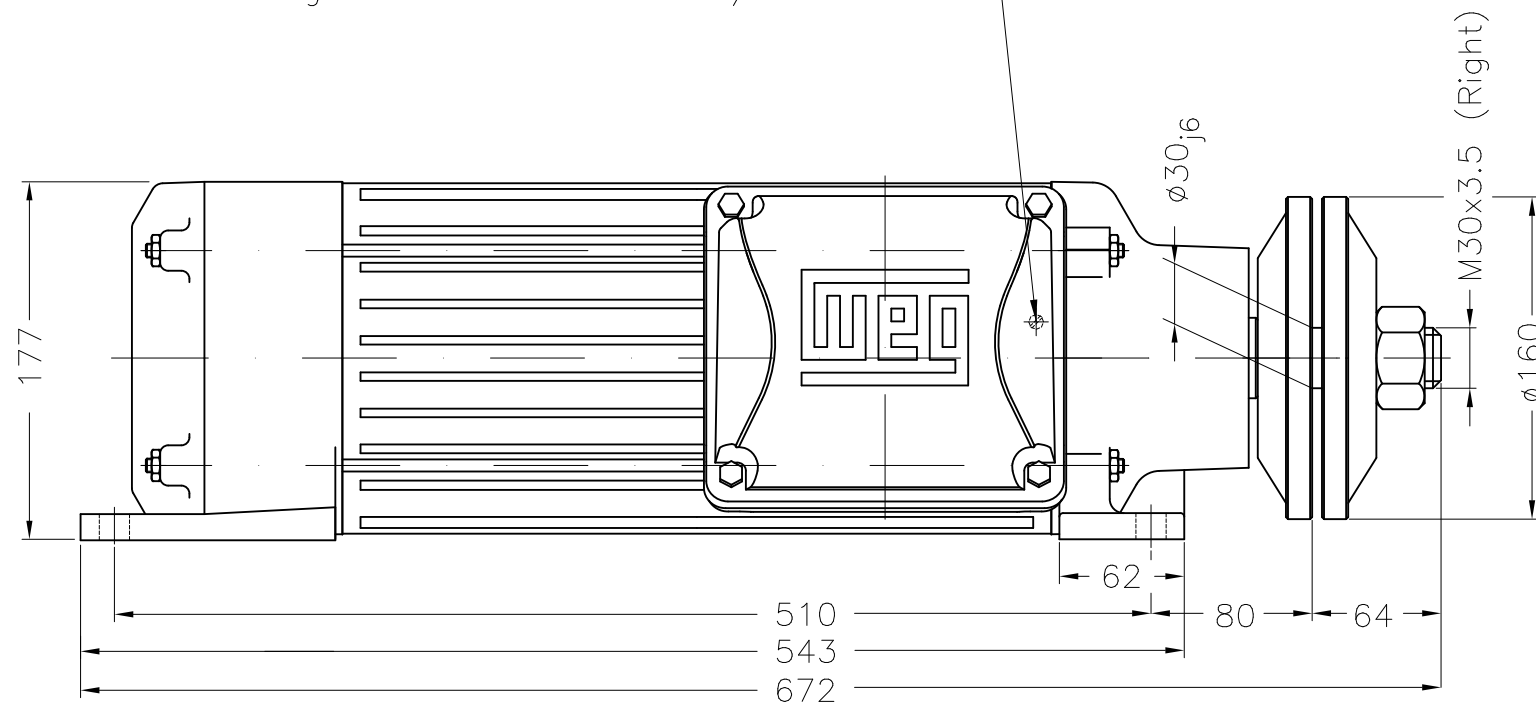


Dimensões em mm  
Dimensions in mm

THIS IS AN UPDATED REVISION, THE  
PREVIOUS ONE MUST BE DISREGARDED.



Grounding for leads 2-10 mm<sup>2</sup> / 14-7 AWG



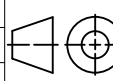
Without OFF thermal protection

Counterclockwise rotation

Color RAL 7022

Painting plan 207A

Mounting B3R(D)

ECM	LOC	SUMMARY OF MODIFICATIONS			EXECUTED	CHECKED	RELEASED	DATE	VER
EXECUTED	USERADMIN	 THREE PHASE SAW ARBOR MOTOR FRAME 90L/MS IP54 TEFC WEG code: 10023134							
CHECKED									
RELEASED									
REL DT	22.01.2018	WMO	Jaragua do Sul	Product Engineering	SHEET	1 / 1			

10 HP 04 Poles 60Hz

A



ZME A3