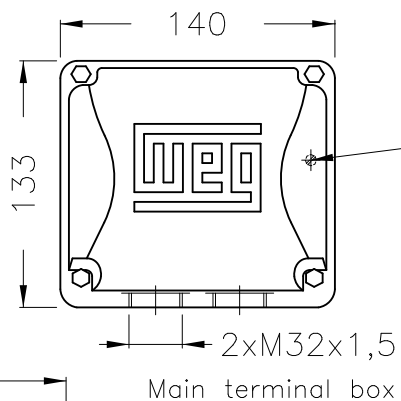
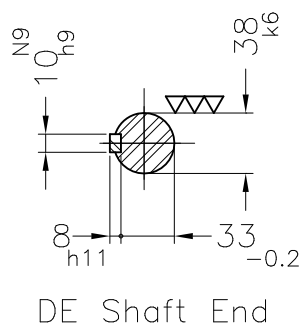
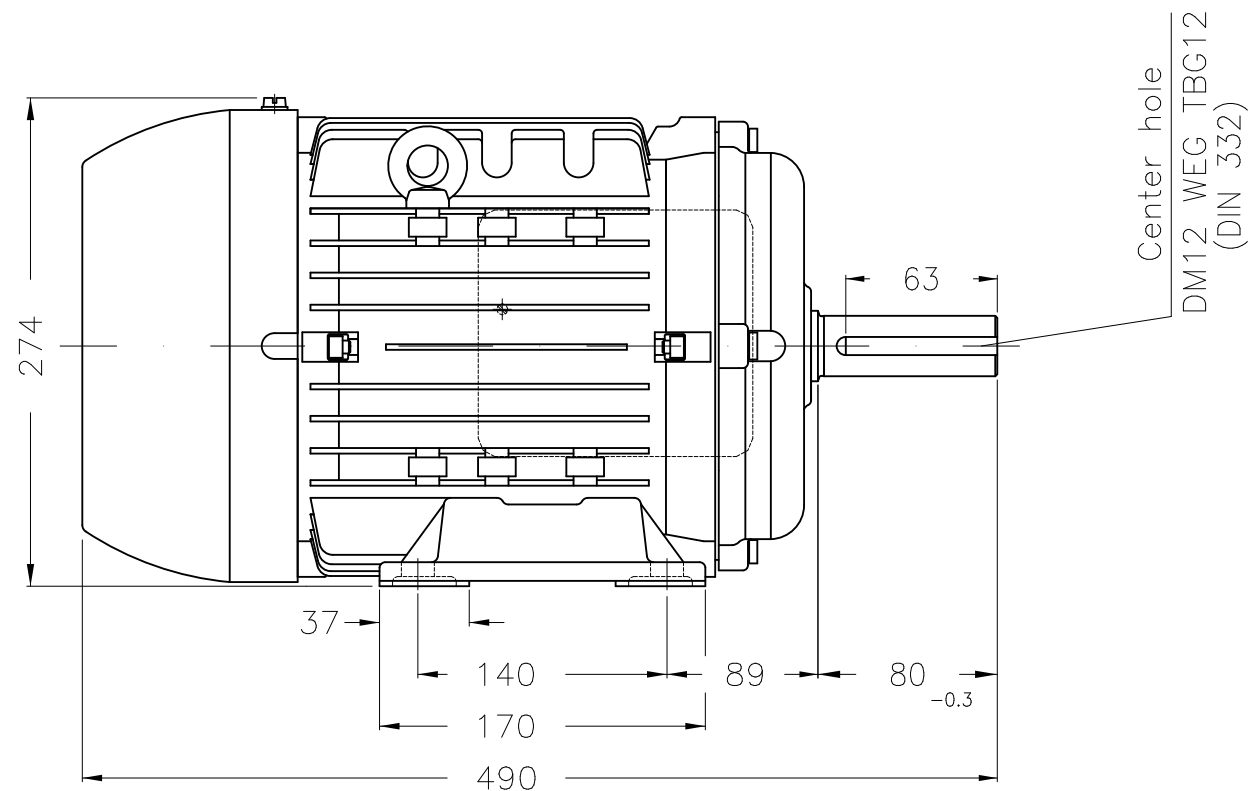
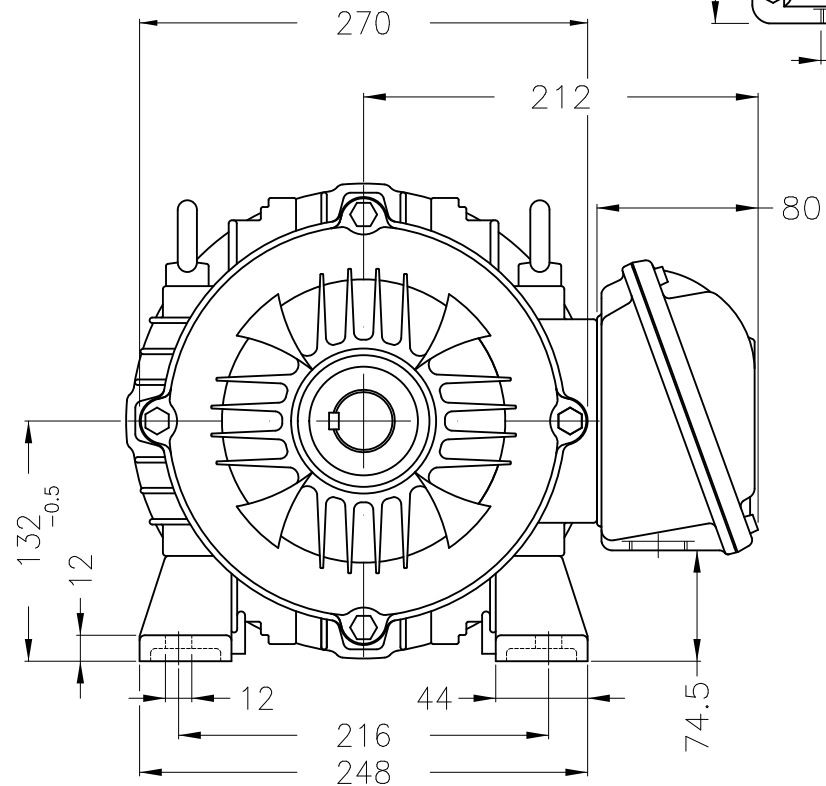


Dimensões em mm  
Dimensions in mm

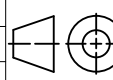
THIS IS AN UPDATED REVISION, THE  
PREVIOUS ONE MUST BE DISREGARDED.



Grounding for leads 2–10 mm<sup>2</sup> / 14–7 AWG



Color RAL 5009  
Painting plan 207A  
Mounting B3L(E)

ECM	LOC	SUMMARY OF MODIFICATIONS			EXECUTED	CHECKED	RELEASED	DATE	VER
EXECUTED	USERADMIN	 THREE PHASE MOTOR TRU-METRIC P. EFF AL FRAME 132S IP55 TEFC WEG code: 13984838							
CHECKED									
RELEASED									
REL DT	22.01.2018	WMO	Jaragua do Sul	Product Engineering	SHEET	1 / 1			

7.5 HP 04 Poles 60Hz

A



ZME A3