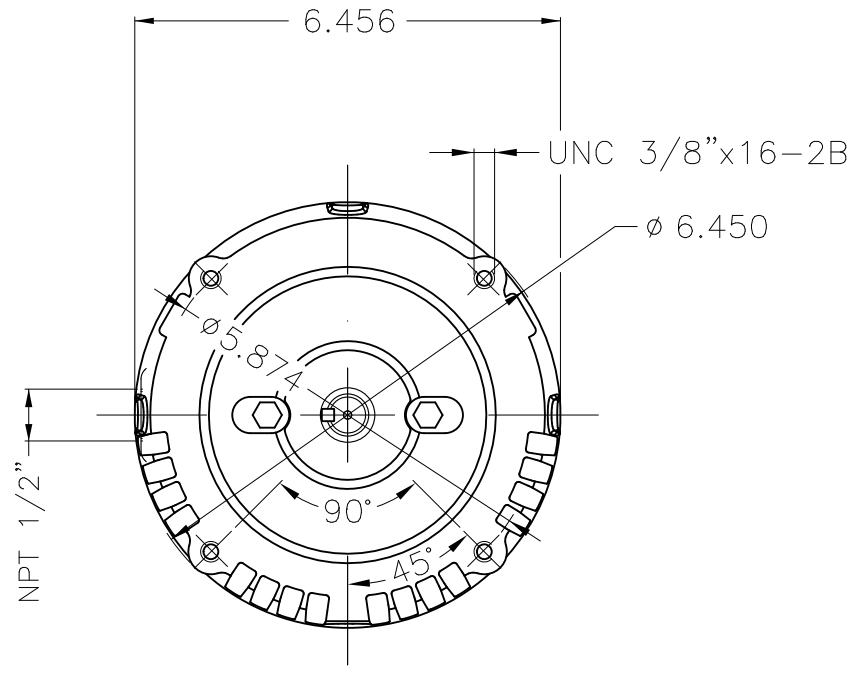
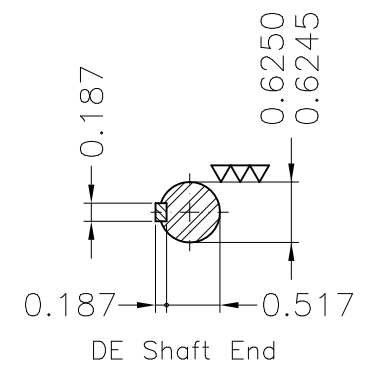
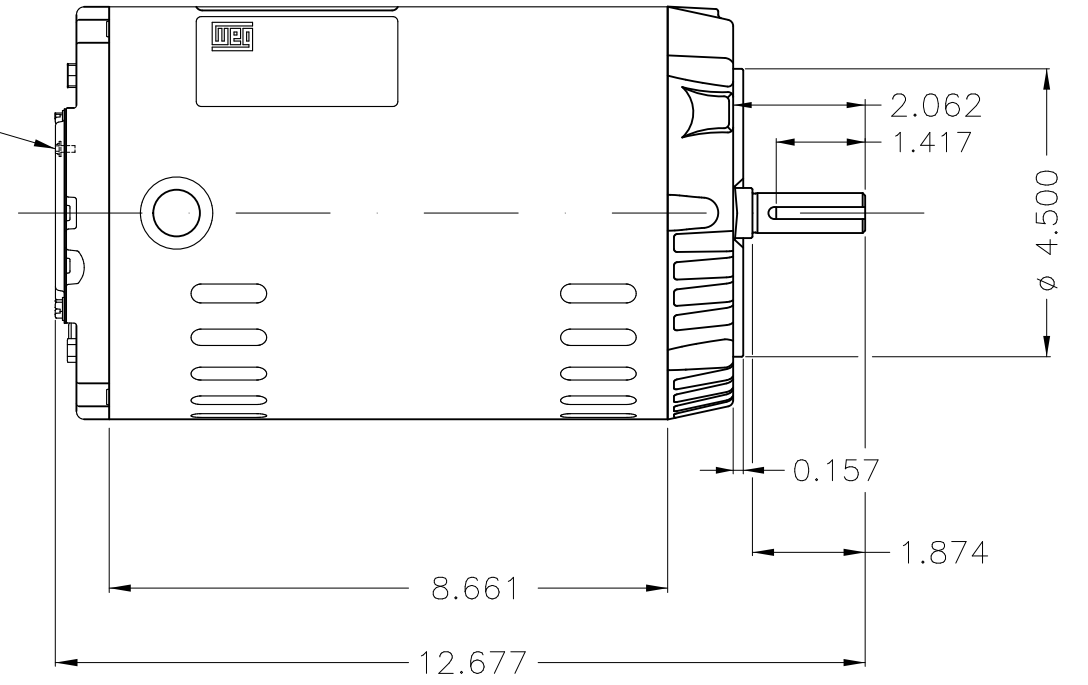


Dimensões em polegada
Dimensions in inches

THIS IS AN UPDATED REVISION, THE
PREVIOUS ONE MUST BE DISREGARDED.



Grounding



Without coating						
Mounting F-1/B14R(D)						
ECM	LOC	SUMMARY OF MODIFICATIONS		EXECUTED	CHECKED	RELEASED
EXECUTED	USERADMIN	THREE PHASE ODP ROLLED STEEL PREM. EFF.				
CHECKED		FRAME 56C ODP				
RELEASED		WEG code: 12812242				
REL DT	23.01.2018	WMO	Jaragua do Sul	Product Engineering	SHEET	1 / 1

2 HP 02 Poles 60Hz

A

