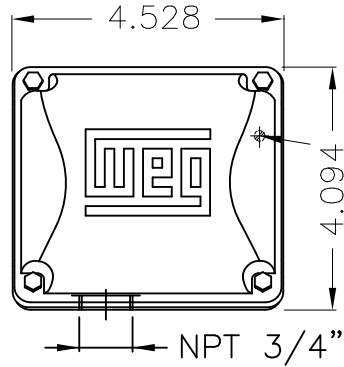
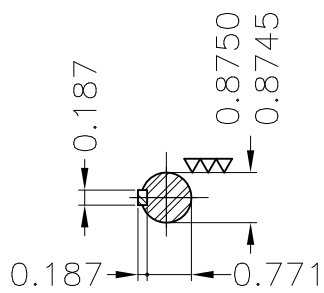
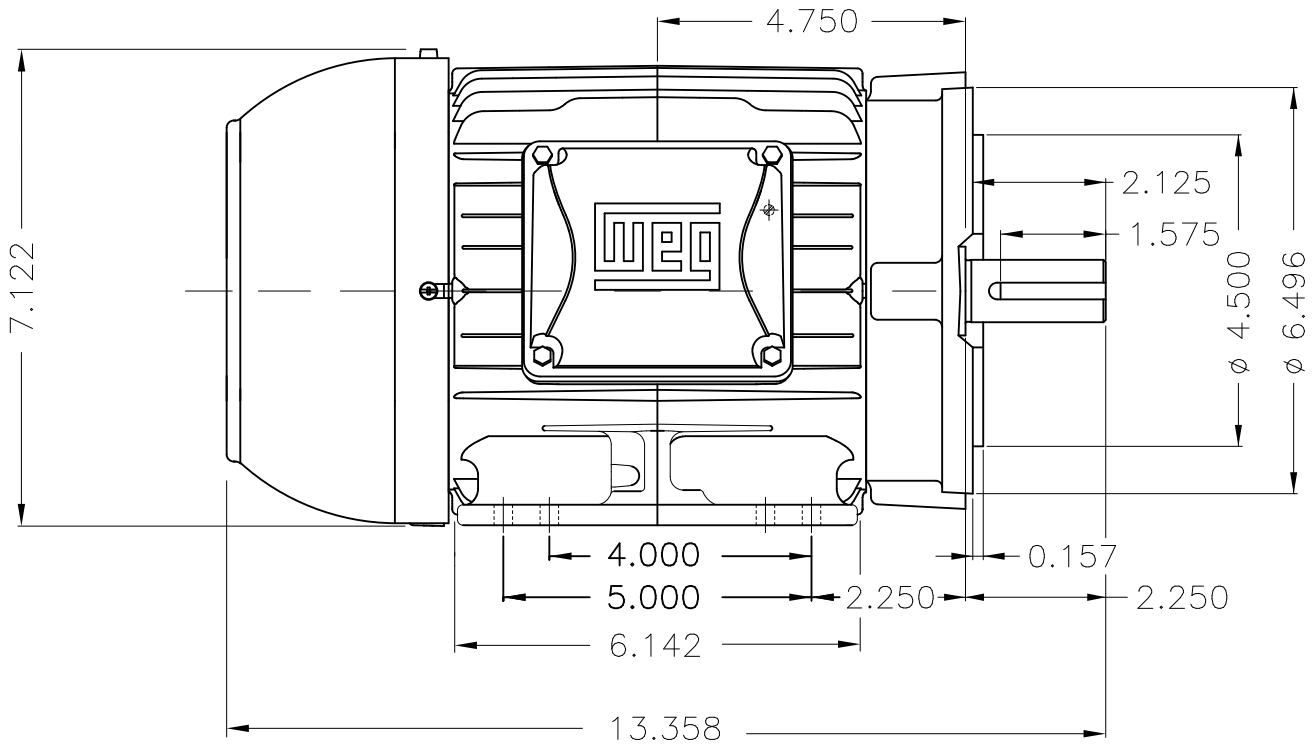
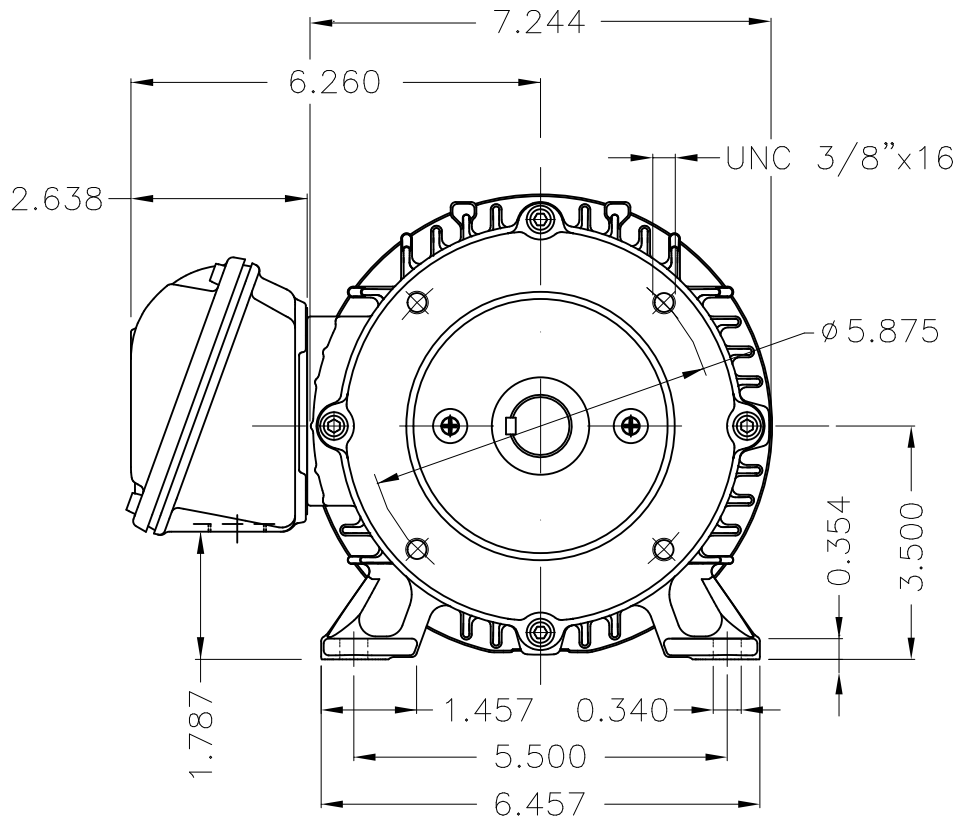


Dimensões em polegada  
Dimensions in inches

THIS IS AN UPDATED REVISION, THE  
PREVIOUS ONE MUST BE DISREGARDED.

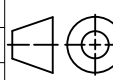


Main terminal box



DE Shaft End

Bearing cap  
Color RAL 5009  
Painting plan 207A  
Mounting B34R(D)

ECM	LOC	SUMMARY OF MODIFICATIONS			EXECUTED	CHECKED	RELEASED	DATE	VER
EXECUTED	USERADMIN	 THREE PHASE W22 MOTOR - NEMA PREMIUM EFF FRAME 143/5TC IP55 TEFC WEG code: 11767948							
CHECKED									
RELEASED									
REL DT	24.01.2018	WMO	Jaragua do Sul	Product Engineering	SHEET	1 / 1			

1.5 HP 04 Poles 60Hz

