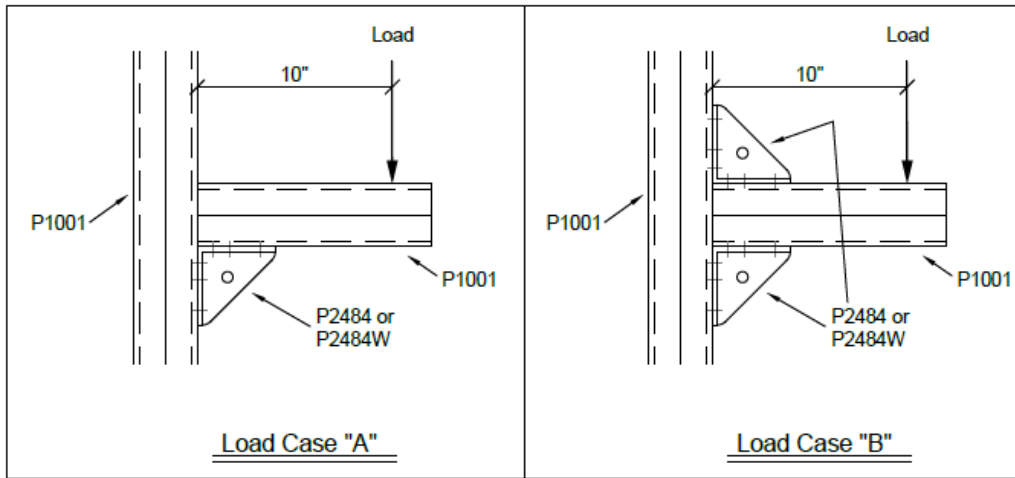


DESIGN LOAD REPORT

Part Description: P2484 & P2484W (7-Hole, 90° Gusseted Brackets)

Report Date: August 1, 2022



Part Number	Load Case	Min. Ult Load (lbs)	Moment (in-lbs)		Avg. Deflection at Design Moment
			Min. Ult.	Design	
P2484	A	1,030	10,300	3,400	0.126"
	B	3,400	34,000	11,300	0.149"
P2484W	A	1,150	11,500	3,800	0.112"
	B	4,800	48,000	16,000	0.180"

NOTES

1. Minimum Ultimate Loads from Test Reports C-93 & C-94
2. Safety Factor of 3 for Design Moment
3. Tests used (2) ½"-13 channel nut and cap screw torqued to 50 ft-lbs in each leg
4. Bolts can be located in any 2 of the 3 leg holes