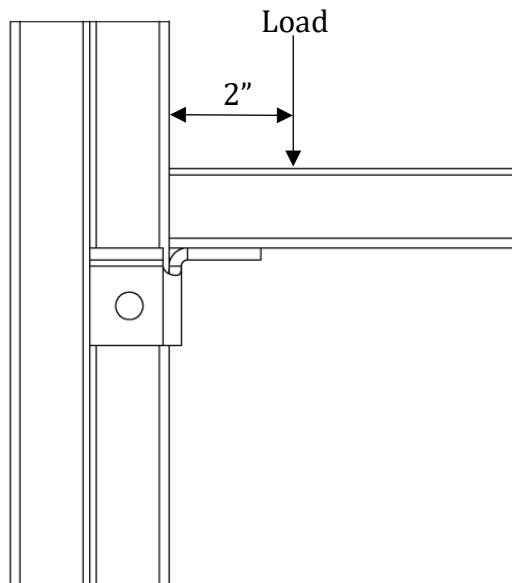


DESIGN LOAD REPORT

Part Description: P2223 (4-Hole, Wing-Shaped Fitting)

Report Date: August 8, 2022



Avg. Ult. Load (lbs)	Avg. Ult. Moment (in-lbs)	Design Load (lbs)	Design Moment (in-lbs)
650	1,300	260	520

NOTES

1. Design Load from Test Report C-72
2. Design loads only apply to Unistrut brand products. Look for "UNISTRUT" on the part
3. Average safety factor = 2.5 based on ultimate strength of connection.
4. Load data is based on a P1010 nut and ½" bolt in 12 ga. channel.