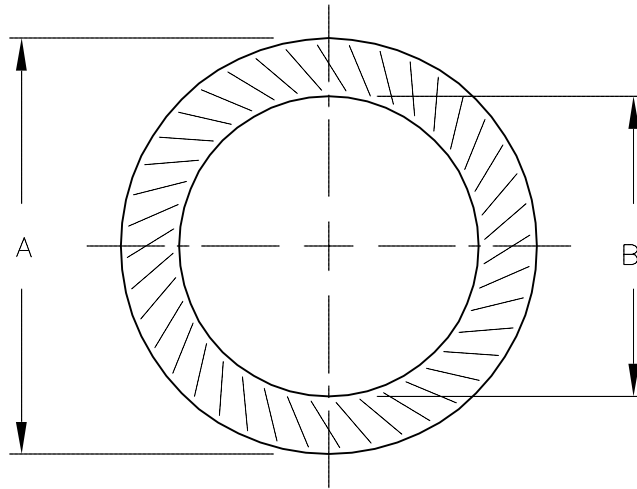


PART NUMBER	TURCK ID.#	BARREL DIA.	DIMENSIONS	
			A	B
LW-12	A3127	12 mm	$\frac{.700}{17.8}$	$\frac{.520}{13.2}$



NOTES:

- FOR USE WITH THREADED BARREL SENSORS.

RELATED DOCUMENTS				3RD ANGLE PROJECTION		THIS DRAWING IS CONFIDENTIAL AND THE PROPERTY OF TURCK INC. USE OF THIS DOCUMENT WITHOUT WRITTEN PERMISSION IS PROHIBITED.		TURCK INC <i>High Technology Sensors and Automation Controls</i> 3000 CAMPUS DRIVE MINNEAPOLIS, MN 55441 1-800-544-7769 (763) 553-7300 (763) 553-0708 fax turck.com	
1. 2. 3. 4.						DRFT RJP		DATE 3/23/93	
MATERIAL CARBON STEEL						APVD		SCALE NONE	
FINISH PHOSPHATE				ALL DIMENSIONS DISPLAYED ON THIS DRAWING ARE FOR REFERENCE ONLY		UNIT OF MEASUREMENT INCH [MILLIMETER]			
CONTACT TURCK FOR MORE INFORMATION				IDENTIFICATION NO. A3127		REV C		FILE: A3127	
DO NOT SCALE THIS DRAWING				SHEET 1 OF 1					

C	UPDATE MATERIAL & FINISH	NF	06/11/15	50249
REV	DESCRIPTION	BY	DATE	ECO NO.