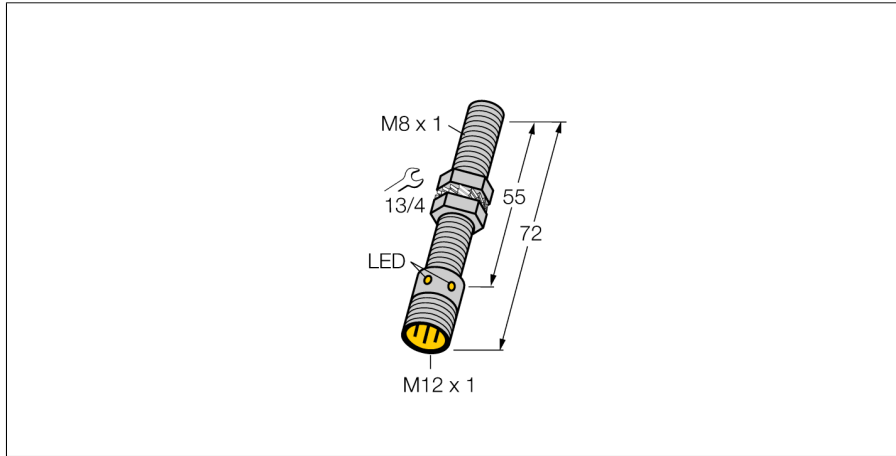


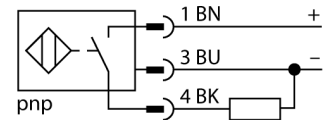
Inductive sensor

BI2-G08-AP6X-H1341



- Threaded barrel, M8 x 1
- Stainless steel, 1.4404
- DC 3-wire, 10...30 VDC
- NO contact, PNP output
- M12 x 1 male connector

Wiring Diagram



Functional principle

Inductive sensors detect metal objects contactless and wear-free. For this, they use a high-frequency electromagnetic AC field that interacts with the target. Inductive sensors generate this field via an RLC circuit with a ferrite coil.

| | |
|---|---|
| Type designation | BI2-G08-AP6X-H1341 |
| Ident-No. | 46025 |
| Ident-No (TUSA) | S4602500 |
| Rated switching distance Sn | 2 mm |
| Mounting conditions | flush |
| Assured switching distance | ≤ (0,81 x Sn) mm |
| Correction factors | St37 = 1; Al = 0.3; stainless steel = 0.7; Ms = 0.4 |
| Repeatability | ≤ 2 % of full scale |
| Temperature drift | ≤ ± 10 % |
| Hysteresis | 3...15 % |
| Ambient temperature | -25...+70 °C |
| Operating voltage | 10... 30VDC |
| Residual ripple | ≤ 10 % U _{in} |
| DC rated operational current | ≤ 150 mA |
| No-load current I ₀ | ≤ 15 mA |
| Residual current | ≤ 0.1 mA |
| Rated insulation voltage | ≤ 0.5 kV |
| Short-circuit protection | yes/ cyclic |
| Voltage drop at I ₀ | ≤ 1.8 V |
| Wire breakage / Reverse polarity protection | yes/ complete |
| Output function | 3-wire, NO contact, PNP |
| Switching frequency | 3 kHz |
| Construction | Threaded barrel, M8 x 1 |
| Dimensions | 72 mm |
| Housing material | Metal, V4A (1.4404) |
| Active area material | Plastic, PA12-GF20 |
| Max. tightening torque housing nut | 5 Nm |
| Electrical connection | Flange connector, M12 x 1 |
| Vibration resistance | 55 Hz (1 mm) |
| Shock resistance | 30 g (11 ms) |
| Protection class | IP67 |
| MTTF | 2283 years acc. to SN 29500 (Ed. 99) 40 °C |
| Switching state | LED yellow |

Inductive sensor BI2-G08-AP6X-H1341

TURCK
works

Industrial
Automation

| | |
|------------|---------|
| Distance D | 2 x B |
| Distance W | 3 x Sn |
| Distance T | 3 x B |
| Distance S | 1.5 x B |
| Distance G | 6 x Sn |

Diameter of the active area B \varnothing 8 mm



**Inductive sensor
BI2-G08-AP6X-H1341**



Accessories

| Type code | Ident-No. | Description | |
|-----------|-----------|--|--|
| BST-08B | 6947210 | Fixing clamp for threaded barrel devices, with dead-stop; material: PA6 | |
| MW-08 | 6945008 | Mounting bracket for threaded barrel devices; material: Stainless steel A2 1.4301 (AISI 304) | |
| BSS-08 | 6901322 | Mounting bracket for smooth and threaded barrel devices; material: Polypropylene | |
| MBS80 | 69479 | Mounting bracket for threaded barrel devices; material mounting block: Anodized aluminium | |