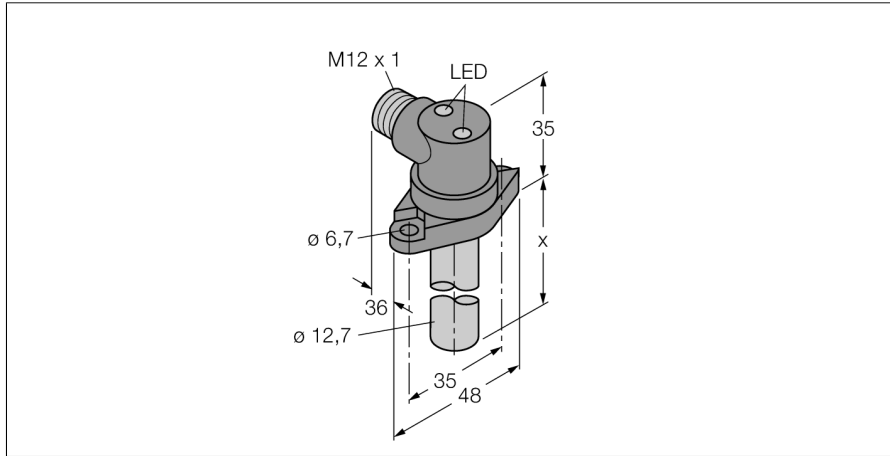
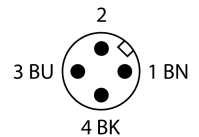
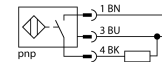


**Inductive sensor**  
**For high pressures**  
**BI2-CRS343-AP4X2-H1141/S34**



- Smooth barrel, stainless steel, 1.4305
- Ø 12.7 mm
- Housing, GD-Zn, chromated
- Admissible pressure static/dynamic 200/100 bar
- Magnetic field immune (insensitive to magnetic DC and AC fields)
- DC 3-wire, 10...65 VDC
- NO contact, PNP output
- M12 x 1 male connector

**Wiring Diagram**



**Functional principle**

Inductive sensors detect metal objects contactless and wear-free. For this purpose they use a high-frequency electromagnetic AC field that interacts with the target. The sensors hosting a ferrite core coil generate the AC field through an LC resonant circuit.

Pressure-resistant inductive sensors withstand high pressures which makes them perfectly suited for position control in hydraulic cylinders.

<b>Type designation</b>	BI2-CRS343-AP4X2-H1141/S34
Ident-No.	4571800
Ident-No (TUSA)	T4571800
<b>Rated switching distance Sn</b>	2 mm
Mounting conditions	flush
Assured switching distance	≤ (0,81 x Sn) mm
Correction factors	St37 = 1; Al = 0.3; stainless steel = 0.7; Ms = 0.4
Repeatability	≤ 2 % of full scale
Static pressure	≤ 200 bar
Dynamic pressure	≤ 100 bar
Admissible contact medium	electrically conductive
Temperature drift	≤ ± 10 %
Hysteresis	3...15 %
Ambient temperature	-25...+70 °C
<b>Operating voltage</b>	10... 65VDC
Residual ripple	≤ 10 % U <sub>s</sub>
DC rated operational current	≤ 200 mA
No-load current I <sub>0</sub>	≤ 15 mA
Residual current	≤ 0.1 mA
Rated insulation voltage	≤ 0.5 kV
Short-circuit protection	yes/ cyclic
Voltage drop at I <sub>0</sub>	≤ 1.8 V
Wire breakage / Reverse polarity protection	yes/ complete
Output function	3-wire, NO contact, PNP
Switching frequency	0.03 kHz
<b>Construction</b>	Smooth barrel, 12.7 mm
Probe length	34.3 mm, probe length x
Housing material	Metal, 1.4305 (AISI303)
Active area material	Plastic, PA12-GF30
Connector housing	metal, GdZn, chromated
Electrical connection	Flange connector, M12 x 1
Vibration resistance	55 Hz (1 mm)
Shock resistance	30 g (11 ms)
Protection class	IP67
<b>Power-on indication</b>	LED green
Switching state	LED red

**Inductive sensor**  
**For high pressures**  
**BI2-CRS343-AP4X2-H1141/S34**

---

Distance D	2 x B
Distance W	3 x Sn
Distance T	3 x B
Distance S	1.5 x B
Distance G	6 x Sn

---

**Diameter of the active area B**                       $\varnothing$  12.7 mm

