

Project:

Type:

Prepared By:

Date:



UPC: 019813833026



Features and Benefits

- HID REPLACEMENT - Replace conventional HID lamps
- BALLAST BYPASS - Internal driver eliminates the need for external driver or ballast
- COMPACT DESIGN - Allows the lamp to fit in most fixtures
- INSTALLATION ORIENTATION - Lamps can be installed universally: base up, down or sideways
- HEAT DISSIPATION - Thermal technology extends lifespan
- WATER & DUST RESISTANT - Ideal for outdoor fixtures
- ENCLOSED FIXTURE RATED - May be used in enclosed and open fixtures
- ENERGY SAVINGS - Uses 76% less energy than traditional lamps
- MERCURY FREE - Environmentally friendly vs fluorescent technologies
- 350° ROTATABLE BASE - Direct light where needed

Technical Specifications

Product Type	HID
Bulb Shape	Wall Pack
Wattage	30W
Wattage Equivalency	150W HID
Typical Lumen Output	4650
Efficacy	155 lm/W
Color Temperature	5000K Daylight
CRI	80
Base Type	EX39
L70 Lifespan	50,000 hours
Operating Temperature	-30°C - 60°C
Dimmable	No
Beam Angle	180°
Warranty	5-Year, No-Compromise Warranty
Installation Type	Type B, Ballast Bypass
Installation Orientation	Universal Installation
For Use in Emergency Fixtures	No
For Use Outdoors in Open Fixtures	No

Electrical Characteristics

Input Voltage	100-277V
Power Factor	>0.9
Operating Frequency	50 / 60 Hz
Input Current @ 120V	0.3mA
Flicker	<30%
THDi	<20%

Listings

UL Listed	Yes
UL Classified	Yes
DLC Listed	This product is on the Design Lights Consortium (DLC) Qualified Products List and is eligible for rebates from DLC Member Utilities.
DLC Model Number	H10014
DLC Product Code	PDA0B4IG
CEC Status	Lawful for sale in California

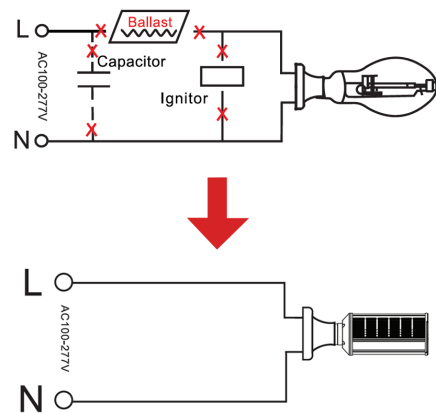
Minimum Compartment Size

Length x Width x Height [in]	Lamp Quantity
8.0 x 8.0 x 11.0	1

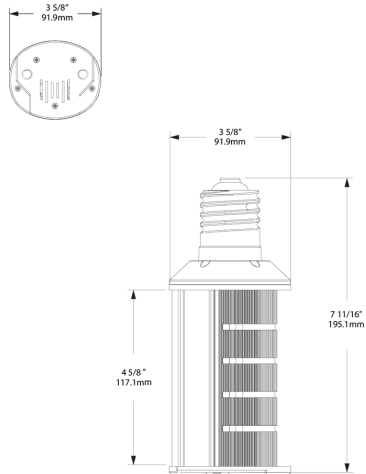
Case and Pallet Dimensions

	QTY	LENGTH	WIDTH	HEIGHT
CASE	12	16.7	12.7	10
PALLET	288	44.6	35.4	39.4

Wiring Diagram



Dimension



Light Distribution

