

Economical linear high bay delivers versatility and ultra-high efficiency. Available in 8 wattages and three sizes, for mounting heights ranging from 15 to 60 feet. Patent pending, retractable design reduces volume by up to 60% to save valuable shelf and storage space.

Color: White

Weight: 18.7 lbs

|                     |              |
|---------------------|--------------|
| <b>Project:</b>     | <b>Type:</b> |
| <b>Prepared By:</b> | <b>Date:</b> |

| Driver Info |                  | LED Info       |               |
|-------------|------------------|----------------|---------------|
| Type        | Constant Current | Watts          | 215W          |
| 120V        | 1.79A            | Color Temp     | 5000K (Cool)  |
| 208V        | 1.04A            | Color Accuracy | 85 CRI        |
| 240V        | 0.90A            | L70 Lifespan   | 100,000 Hours |
| 277V        | 0.79A            | Lumens         | 29,100        |
| Input Watts | 214.4W           | Efficacy       | 135.7 lm/W    |

## Technical Specifications

### Compliance

#### UL Listed:

Suitable for damp locations

#### IESNA LM-79 & LM-80 Testing:

RAB LED luminaires and LED components have been tested by an independent laboratory in accordance with IESNA LM-79 and LM-80.

#### DLC Listed:

This product is listed by Design Lights Consortium (DLC) as an ultra-efficient premium product that qualifies for the highest tier of rebates from DLC Member Utilities. DLC Product Code: PNRU65Z4

### Performance

#### Lifespan:

100,000-Hour LED lifespan based on IES LM-80 results and TM-21 calculations

#### LED Characteristics

#### LEDs:

Multi-chip, high-output, long-life LEDs

### Color Uniformity:

RAB's range of Correlated Color Temperature follows the guidelines of the American National Standard for Specifications for the Chromaticity of Solid State Lighting (SSL) Products, ANSI C78.377-2017.

### Construction

#### Operating Temperature:

-20°C (-4°F) - 50°C (122°F)

#### Housing:

22 gauge die formed with white powder coat finish. Y Hooks included for easy chain or cable mounting.

#### Reflector:

White painted, reflective, die formed painted steel

#### Lens:

Polycarbonate lens

### Mounting:

V hooks and optional pendant mounting. AEROBAY® comes with two 42" chains.

### Finish:

Our environmentally friendly polyester powder coatings are formulated for high-durability and long-lasting color

### Green Technology:

Mercury and UV free. RoHS-compliant components.

### Electrical

#### Driver:

Class 2, Constant Current, 120-277V, 50/60 Hz, 120V: 1.79A, 208V: 1.04A, 240V: 0.90A, 277V: 0.79A

## Technical Specifications (continued)

### Electrical

#### THD:

4.9% at 120V, 7.0% at 277V

#### Battery Backup:

Battery backup will operate the fixture for 90 minutes if power fails. Wired for 120-277V.

#### Battery Backup Light Loss Factor:

0.111

### Surge Protection:

2.5kV

For areas prone to surges, upgrade to 10kV surge protection available

### Other

#### Replacement:

Replaces 8-lamp T5HO or 400W MH

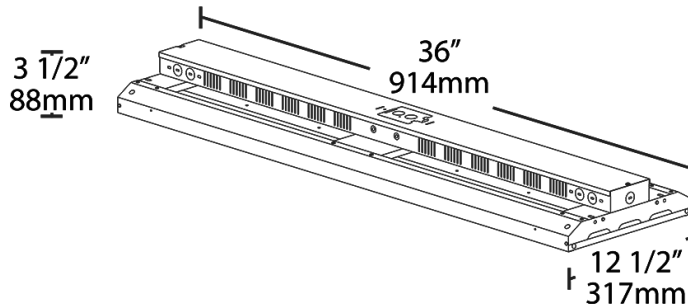
#### 5 Yr Limited Warranty:

The RAB 5-year, limited warranty covers light output, driver performance and paint finish. RAB's warranty is subject to all terms and conditions found at [rablighting.com/warranty](http://rablighting.com/warranty).

### Buy American Act Compliance:

RAB values USA manufacturing! Upon request, RAB may be able to manufacture this product to be compliant with the Buy American Act (BAA). Please contact customer service to request a quote for the product to be made BAA compliant.

## Dimensions



## Features

High efficiency. Low price.

Ideal for industrial warehouse spaces

100,000 hour LED lifespan

5-Year, Limited Warranty

## Ordering Matrix

| Family | Length    |   | Wattage                  | Color Temp                                  | Voltage   | Control Options   | Emergency Options  | Other Options   |
|--------|-----------|---|--------------------------|---|---|---|--|---|
| ARBAY  | 3         | - | 215                      |   |   |   | /E2  |   |
|        | 3 = 3 ft. |   | 215 = 215W<br>275 = 275W | Blank = 5000K (Cool)<br>N = 4000K (Neutral) | Blank = 120-277V, 0-10V Dimming<br>/480 = 480V, 0-10V Dimming | Blank = No Options<br>/PIR = 120-277V, Passive Infrared Occupancy Sensor<br>/LC = Lightcloud Control<br>/LCS = 120-277V, Lightcloud Motion Sensor | Blank = No Options<br>/E2 = 120-277V, Battery <sup>1</sup> | /8CP = 8' Cord, Straight Blade Plug 120V, NEMA 5-15P <sup>3</sup><br>/8CP2 = 8' Cord, Straight Blade Plug 277V, NEMA 7-15P <sup>3</sup><br>/8CPT = 8' Cord, Twistlock Plug 120V, NEMA L5-15P <sup>3</sup><br>/8CPT2 = 8' Cord, Twistlock Plug 277V, NEMA L7-15P <sup>3</sup><br>/8CPT4 = 8' Cord, Twistlock Plug 480V, NEMA L8-20P <sup>3</sup><br>Blank = No Options<br>/SP10 = 10kV Surge Protection<br>/8C = 8' Cord only <sup>2</sup> |

<sup>1</sup> For battery backup models with cord and plug dimming is not possible

<sup>2</sup> For cord only (8C) models, a 5 conductor cable will be used to make dimming possible

<sup>3</sup> For cord and plug (8CP, 8CP2, 8CPT, 8CPT2, 8CPT4) models 0-10V dimming is not possible