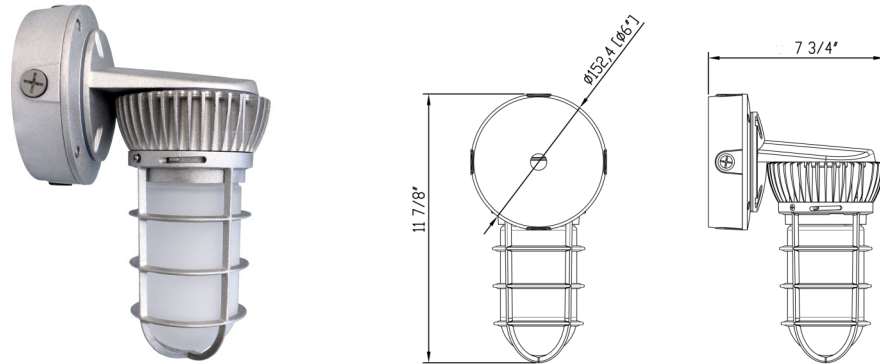




LED Vaportight Wall Mount 20W



Features:

Wall Mount

Diecast Aluminum Housing

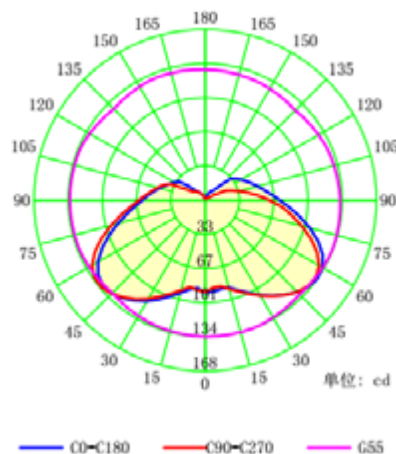
Heat resistant Frosted Glass Lens

Excellent Heat Dissipation - Maximum Life Expectancy

LUMINUS COB LEDS

Part#	Housing Color	Wattage	Lumens	CCT	Voltage	Dimming	Light Pattern	Lumens/Watt
72108	Silver	20	1,721	5000	120-277	N/A	161°	85

PHOTOMETRY





LED Vaportight Ceiling Mount 20W

Technical Specifications:

Electrical:

Input Voltage: 120 thru 277

Current: .17A @ 120V

Frequency: 60Hz

Power Factor: \geq .98

THD:

Product Parameters:

Watts: 20

Lumens: 1,721

Efficacy: 85 lumens per watt

50,000+ Hour L70 Life Span

CCT: 5000K (Cool White)

Chromaticity Measurements:

Beam Angle: 165°H; 165°V

BUG Rating: B0-U3-G1

CRI: $>$ 80

R9:

DUV:

Chromaticity (x,y):

Chromaticity (u,v):

Component Specifications:

LED: LUMINUS COB

Driver: 100-277V 50-60HZ

Driver Output Volts: ???

Driver Output Amps: ???

6KV Surge Protection

Dimming: No

Operating Temperature:

Minimum Starting -40°F - 131°F

Construction:

Housing: ADC12 Aluminum Alloy

Powder Coated

IP Rating: IP65 suitable for wet locations

Lens Material: Heat resistant Frosted Glass

UV Resistant

Fire Resistant

Mounting: Wall Mount

Listings: UL Listed: E474299

Carton Qty: 2

Weight: 11 lb per carton; 3 lb per fixture

Warranty:

Morris Products carries a 5 year warranty from date of purchase against defects in materials and workmanship (assuming normal and proper usage).