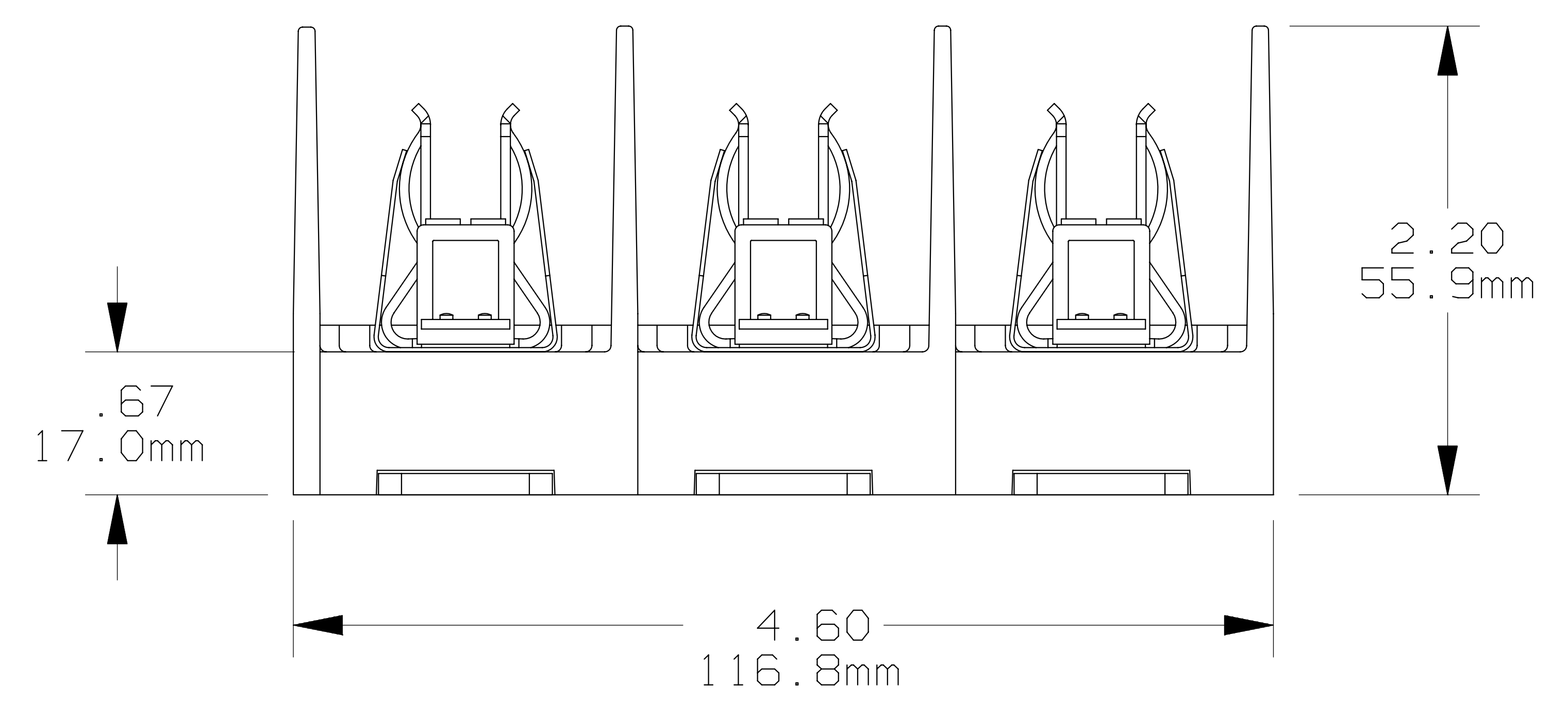
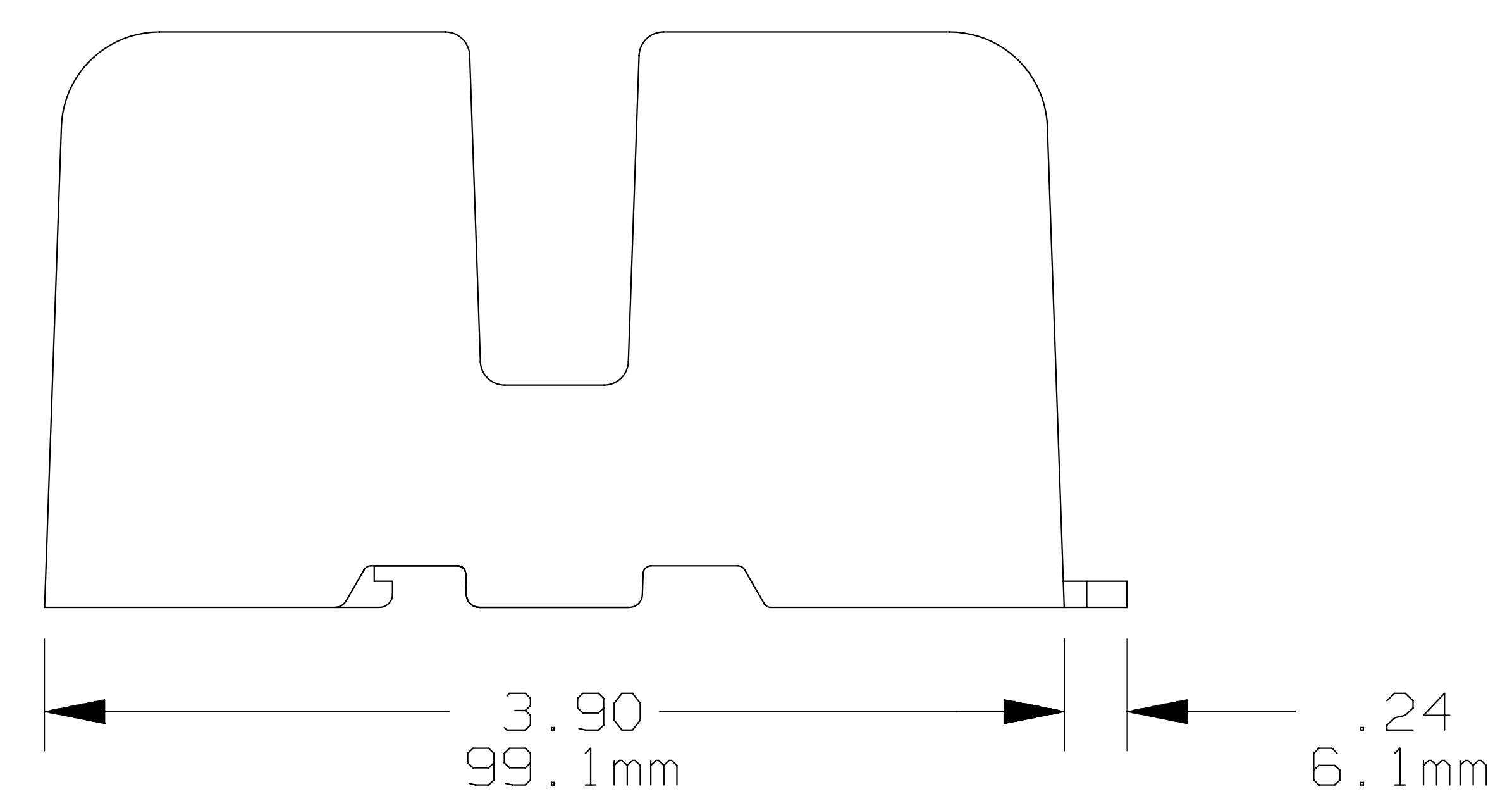
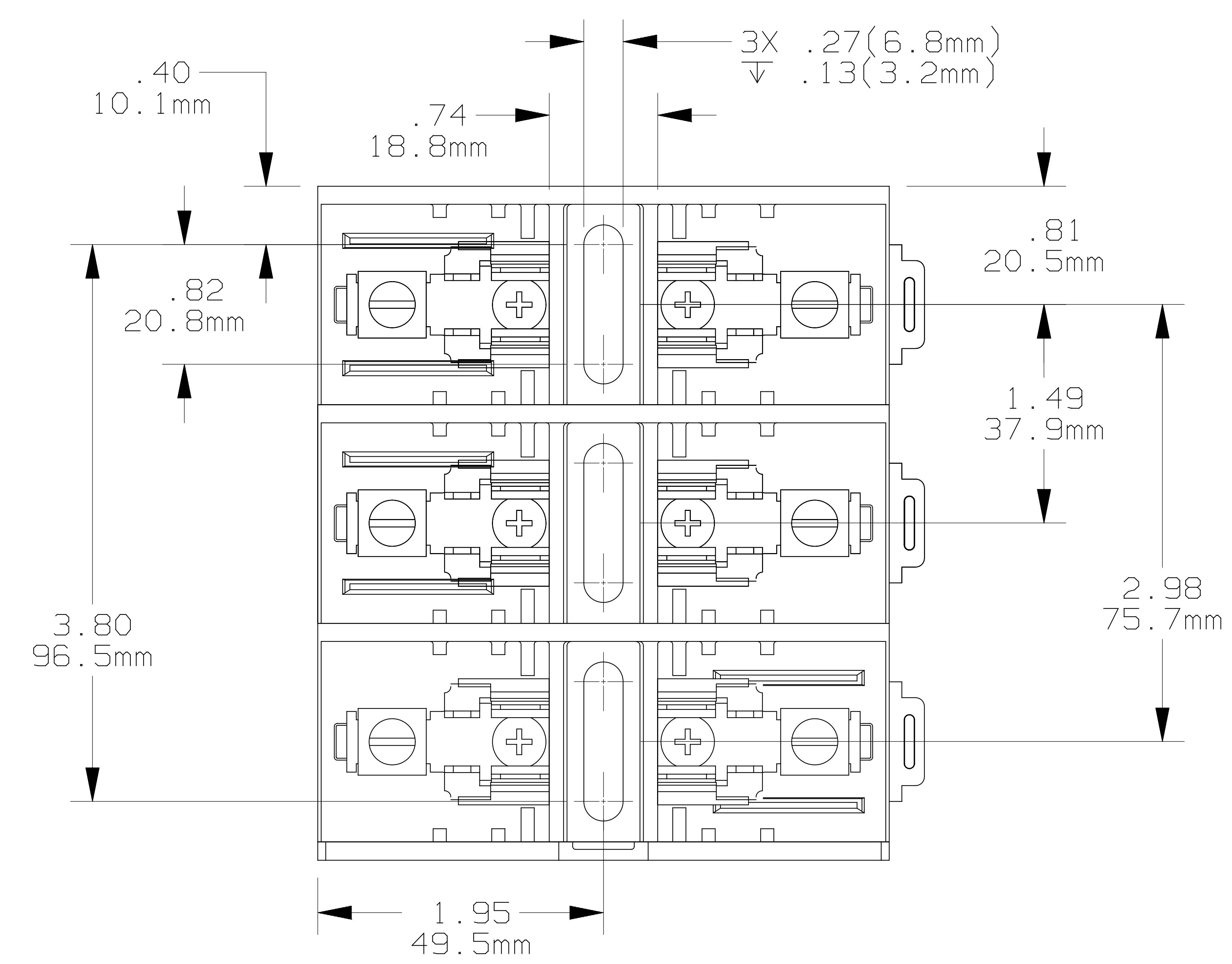


REV	DATE	ECO	DESCRIPTION	BY	CK	APP
A	3/18/08	NA	UPDATED OUTLINE FORMAT AND DIMENSIONS	LDB	NA	NA



P/N	CONN TYPE	RMS SYM RATING	TORQUE (IN-LBS)	WIRE		U/L		CSA
				°C	TYPE	FILE NO.	GUIDE NO.	REPORT NO.
60658T	CU BOX	200K	45	60/75	CU ONLY	E52283	IZLT	LR32169

NOTES:  
 1. TOLERANCES ±.015 UNLESS OTHERWISE SPECIFIED.  
 2. MATERIAL COMPOSITION AND RATING THERMOPLASTIC-125°C RTI.



MERSEN USA NEWBURYPORT-MA, LLC  
 374 MERRIMAC STREET  
 NEWBURYPORT, MA 01950

FUSE BLOCK, 600V-60A, 3 POLE CLASS T

OUTLINE DIMENSIONS  
 NOT TO BE USED FOR PRODUCTION

PRODUCT MANAGER  
 SIGN:  
 DATE:

DESIGN ENGINEER  
 SIGN:  
 DATE:

700071