

# PRODUCT INFORMATION PACKET

Model No: 5KCR49ZN2497X  
Catalog No: C1445  
3,3450,DP,56Z,1/60/208-230  
Pool Pump



Regal and Marathon are trademarks of Regal Beloit Corporation or one of its affiliated companies.  
©2018 Regal Beloit Corporation, All Rights Reserved. MC017097E





### Nameplate Specifications

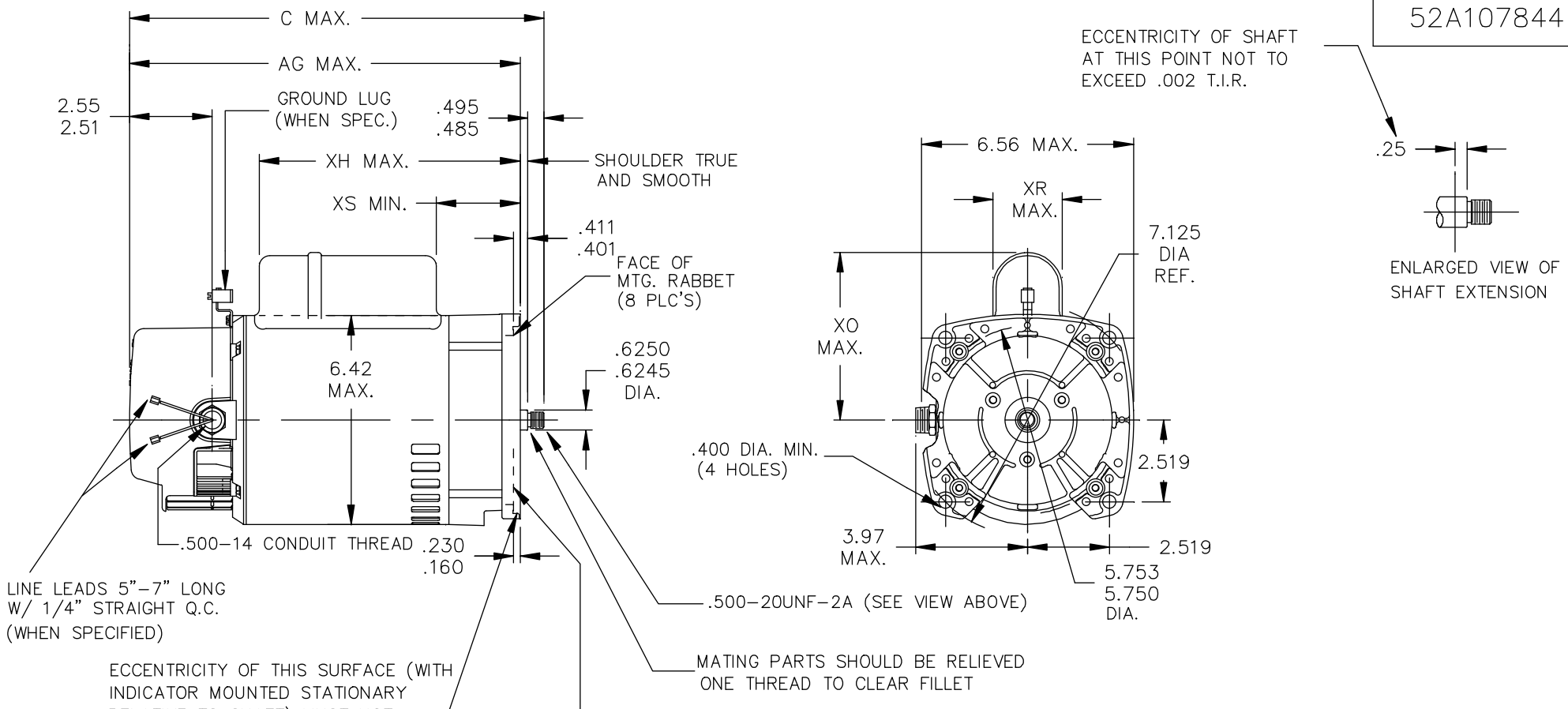
Output HP	3 Hp	Output KW	2.24 kW
Frequency	60 Hz	Voltage	208-230 V
Speed	3450 rpm	Service Factor	1
Phase	1	Efficiency	0 %
Duty	CONT	Insulation Class	B
KVA Code	K	Frame	56Z
Enclosure	DP	Overload Protector	AUTO
Ambient Temperature	50 °C	Drive End Bearing Size	6204
UL	Recognized	CSA	Y
CE	N		

### Technical Specifications

Electrical Type	Capacitor Start Capacitor Run(CSCR)	Starting Method	SM
Poles	2	Rotation	CW
Mounting	N/R	Motor Orientation	HOR
Drive End Bearing	LOCKED	Opp Drive End Bearing	BALL
Overall Length	16.1 in	Frame Length	9.63 in
Shaft Extension	.625 X SPECIAL WITH .500-20UNF-2A THREAD in		
Outline Drawing	52A107844P5	Connection Diagram	52A109239

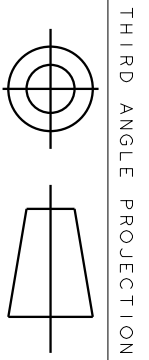
This is an uncontrolled document once printed or downloaded and is subject to change without notice. Date Created: 06/11/2018

52A107844



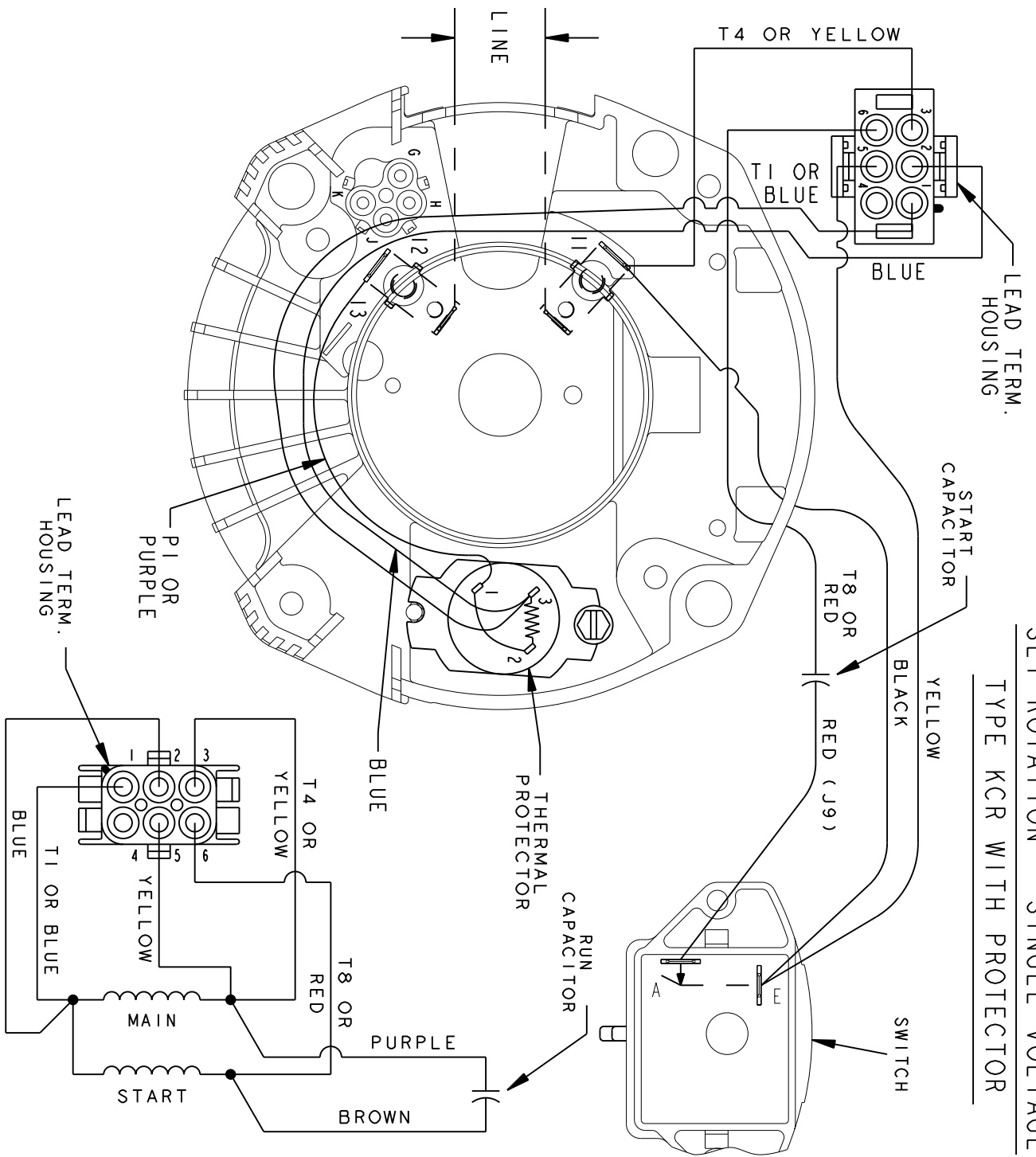
6	KCR	49	56Z	15.46	14.28	10.64	5.09	5.38	2.22	8.99
5	KCR	49	56Z	16.10	14.92	10.69	5.15	5.38	2.22	9.63
4	KCR	49	56Z	13.62	12.44	8.80	3.25	5.23	2.10	7.15
3	KCR	48	56Z	14.90	13.72	10.08	4.53	5.38	2.22	8.43
2	KCR	48	56Z	14.90	13.72	10.08	4.53	5.23	2.10	8.43
1	KCR	49	56Z	14.15	12.97	9.33	3.78	5.23	2.10	7.68
P	TYPE	RBC SIZE	NEMA FR	C	AG	XH	XS	XO	XR	SHELL REF.

				TOLERANCES UNLESS SPECIFIED		<b>REGAL-BELOIT CORPORATION</b>		DRAWN MDP 04/27/93		
				DEC.	INCHES			CHK		
				.X	±.1			APPD MAM 09/28/94		
7	JET/POOL IS REPLACED BY JET PUMP PER ECO-0033464	PVR 05/16/13		.XX	±.03	TITLE OUTLINE 40 FR - 2 COMPARTMENT - 56Z- JET PUMP		SCALE 3=8		
6	CHG TO RBC FORMAT PER ISO5-1777	SUD 03/07/06		.XXX	±.005			REF		
5	REVISED PER TI95-21,753.	MDP 04/27/95		.XXXX	±.0005	MAT'L.		FMF		
NO.	REVISION	BY & DATE	CHK	ANG	±1/2'	FINISH		PREV		
THIS DRAWING IN DESIGN AND DETAIL IS OUR PROPERTY AND MUST NOT BE USED EXCEPT IN CONNECTION WITH OUR WORK ALL RIGHTS OF DESIGN AND INVENTION ARE RESERVED THIS IS AN ELECTRONICALLY GENERATED DOCUMENT - DO NOT SCALE THIS PRINT				RFP		CAD FILE	52A107844	SIZE	DRAWING NO.	REV.
				DIST				A	52A107844	7



THIRD ANGLE PROJECTION

REVISIONS		DESCRIPTION	DATE	APPROVED
1	UPDATED TO RBC FORMAT	01/12/06	MAM	



REF. DIAG. - NONE

CONNECTION LABEL - 52X333028

SIGNATURES		DATE
MODEL	M.D.P.	01/06/95
DETAIL		
CHECKED		
ENGRG		
MFG		
QUALITY	M.D.P.	01/06/95
ISSUED		
SOLID MODEL: 52A109239		

**REGAL-BELOIT CORPORATION**

**REGAL-BELOIT**

**REGAL-BELOIT CORPORATION**

**CONNECTION DIAGRAM**

**FMF: 2 COMPARTMENT SINGLE VOLT, SET ROTATION**

SIZE: DRAWING A

SCALE: 1.000 REF. No.:

**52A109239**

REV 1

SHEET 1 of 1