

Solar-ready Combination Service Entrance Device (CSED)

Cat Nos. LPxxx-SRL, LPxxx-SR

WARNINGS

- TO AVOID FIRE, SHOCK, OR DEATH, TURN OFF ALL POWER SERVICING THE DEVICE, TEST THAT POWER IS OFF BEFORE SERVICING OR WIRING and ensure connections are made in the same sequence as existing device connections.
- This equipment **MUST BE** installed and serviced by a qualified electrician.
- Leviton circuit breakers **MUST BE** used with a Leviton circuit breaker enclosure.
- Before providing power to the load center, check all electrical connections and confirm that the wiring is correct.
- Replace all doors and covers before connecting power to this equipment.

CAUTIONS

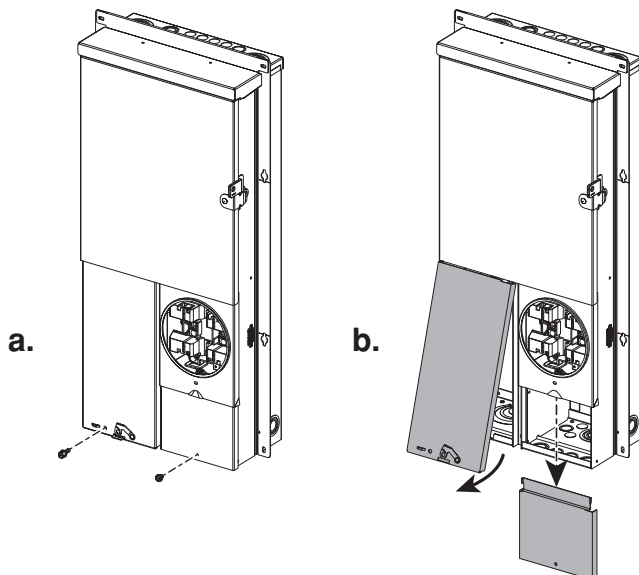
- Use **ONLY** approved fittings and clamps to avoid damage to wires.
- Ensure that all branch circuit breakers are in the OFF position before installing into the panel.
- To be installed and/or used in accordance with electrical codes and regulations.

INSTALLATION INSTRUCTIONS

ENGLISH

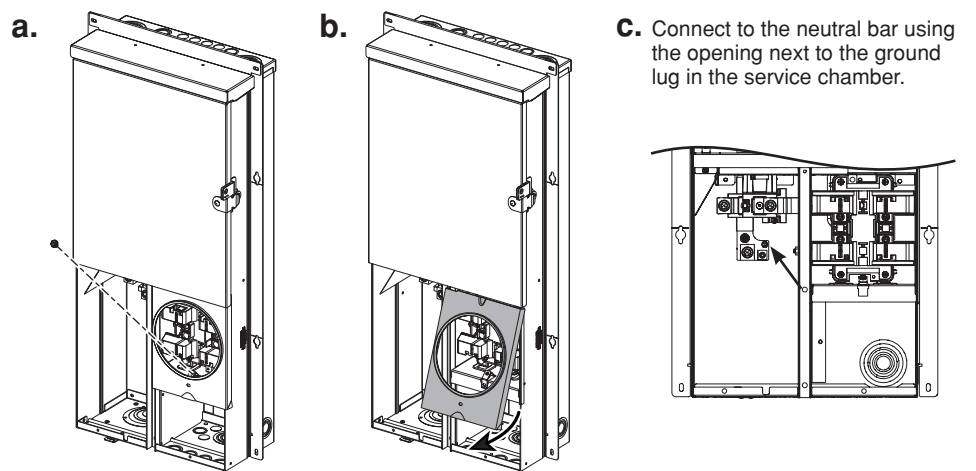
Installation

1. Remove Compartment Covers



2. Install 5th Jaw Application (Optional)

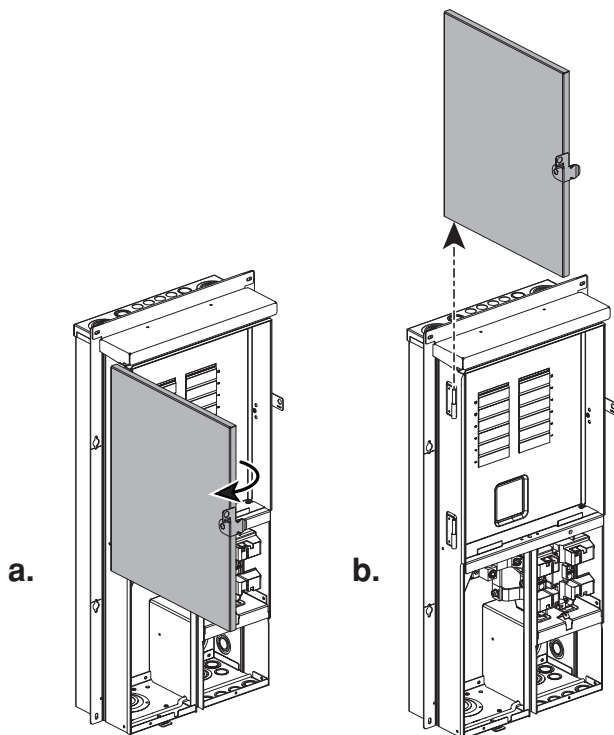
NOTE: The wire retention channel can be used to ensure wire stays in place.



3. Remove the Load Center Door (Optional)

The load center door can be removed for easier installation.

NOTE: When installation is complete, align the door hinge with the hinge pin and insert downward until door is seated.



4. Mount the Enclosure

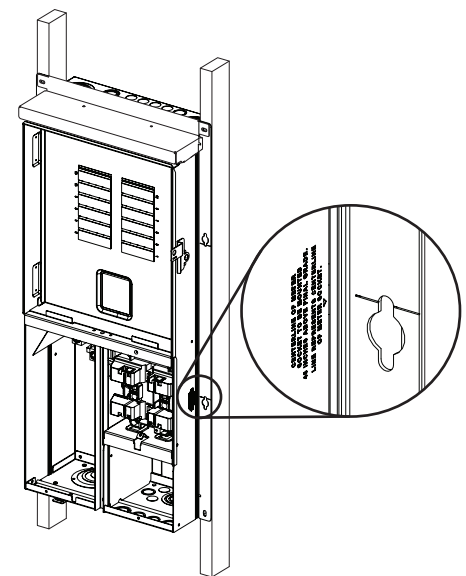
This panel series can only be mounted in a semi-flush manner. Consult the local electrical code to determine the proper installation height. The right side of the panel has a meter socket centerline marking that can be referenced to achieve the proper installation height.

To mount the unit, use the mounting brackets on the left and right outside perimeter of the panel. Use outdoor approved screws or nails (not provided) in the mounting brackets to secure the enclosure to the wall studs.

Mount a minimum of 12 inches away from an adjacent wall to the right side of the panel to allow ample room for accessing the door latch.

NOTE: Install unit within rough opening of dwelling and seal off all gaps around the flange and enclosure body to the rough opening in the wall. Apply a minimum 1 inch overlap of all-weather flashing tape, or equivalent over mounting flanges.

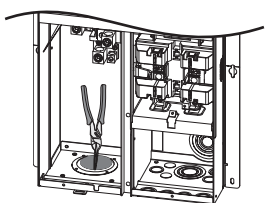
NOTE: -SRL models suitable only for use as service equipment. Install no more than six main disconnecting means.



5. Remove Knockouts for Bottom Feed Wiring

NOTE: For top feed wiring, use the overhead tunnel accessory and follow the instructions (sold separately).

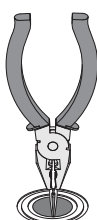
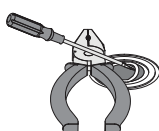
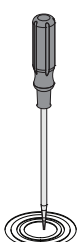
NOTE: Before removing any knockouts from the enclosure, consult the local electrical code to determine the knockout requirements.



a. Strike the center of the knockout.

b. Pry each ring up one at a time with a pair of pliers.

c. Grip both ends with the pliers to bend the rings until they disconnect from the enclosure.

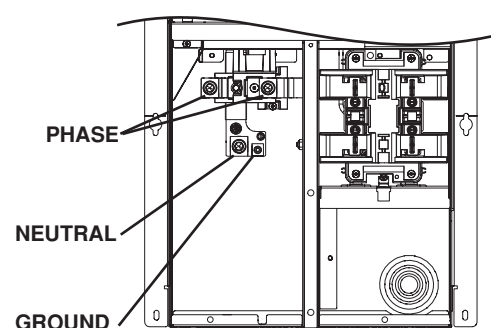


6. Connect to Phase, Neutral and Ground Conductors

CAUTION: Use **ONLY** approved fittings and clamps to avoid damage to wires.

a. Bring the phase, neutral and ground conductors into the enclosure's service chamber.

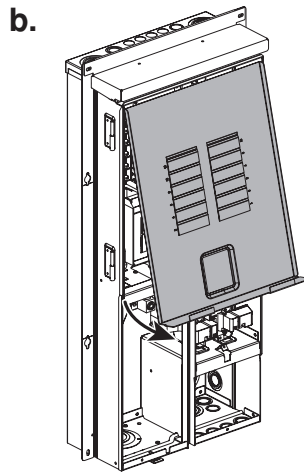
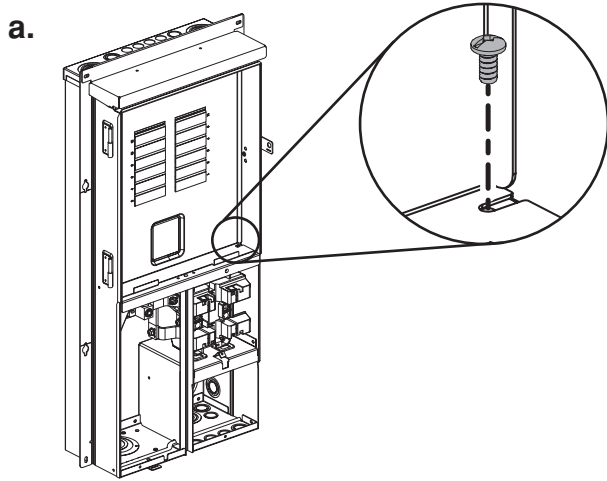
b. Connect the phase, neutral and ground conductors to the appropriate terminals and torque to spec. You may reference the wire terminal table inside the panel door.



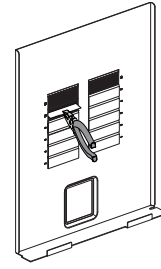
7. Remove Deadfront

NOTE: Twist-outs must be removed for each position that contains a branch circuit breaker. Fill any unused open spaces in cover using filler plates (see filler plate instructions).

NOTE: To reinstall deadfront, align and slide it inward above the rails on each side until bottom portion of deadfront is seated in enclosure. Secure bottom of deadfront with securing screw.



c. To remove twist-outs, first strike with a screwdriver, then twist with pliers until detached.



8. Strip and Connect Wires

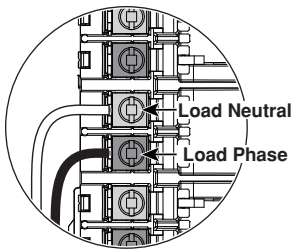
WARNING: Leviton circuit breakers **MUST BE** used with a Leviton circuit breaker enclosure.

WARNING: Ensure that the main breaker is in the OFF position before installing any branch circuit breakers.

CAUTION: Ensure that all branch circuit breakers are in the OFF position before installing into the panel.

Strip and connect the load phase and load neutral wires to the load terminals and ground wire to the ground bus of the circuit breaker enclosure.

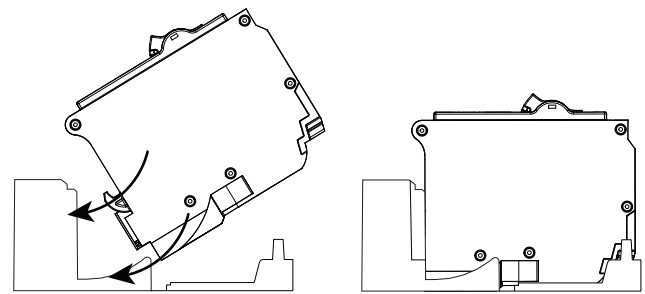
NOTE: Refer to the wire terminations table inside the panel door for stripping and torque specifications.



9. Branch Circuit Breakers

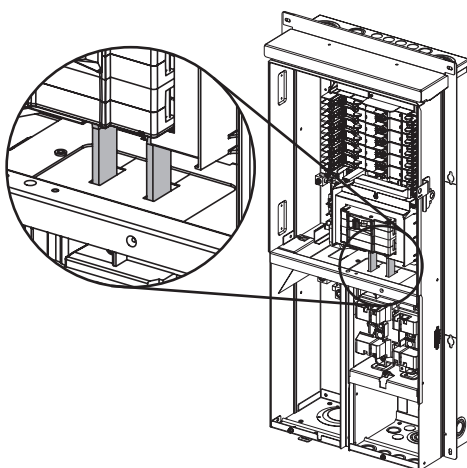
WARNING: TO AVOID RISK OF FIRE, check all wiring and ensure all circuit breakers are installed in the proper position before energizing panel.

Align the hooks and guides of the branch circuit breaker with the panel and press until breaker snaps into place.



10. Install the CT Cores (Optional)

Attach the CT Cores on to their respective Phase A and Phase B load bars and follow the instructions provided by their manufacturer.



11. Complete the Installation

WARNING: Before providing power to the load center, check all electrical connections and confirm that the wiring is correct.

WARNING: Replace all doors and covers before connecting power to this equipment.

Ensure that the main and all branch circuit breakers are in the OFF position. To energize, first turn ON the main breaker, and then turn ON each individual branch circuit breaker.

TRADEMARK DISCLAIMER: Use herein of third party trademarks, service marks, trade names, brand names and/or product names are for informational purposes only, are/may be the trademarks of their respective owners; such use is not meant to imply affiliation, sponsorship, or endorsement.

Patents covering this product, if any, can be found on Leviton.com/patents.

FOR CANADA ONLY

For warranty information and/or product returns, residents of Canada should contact Leviton in writing at Leviton Manufacturing of Canada ULC to the attention of the Quality Assurance Department, 165 Hymus Blvd, Pointe-Claire (Quebec), Canada H9R 1E9 or by telephone at 1 800 405-5320.

LIMITED PRODUCT WARRANTY

For Leviton's limited warranty, go to www.leviton.com. For a printed copy of the warranty you may call 1-800-323-8920 or write to Leviton Manufacturing Co., Inc., Attn: Customer Service Dept., 201 North Service Road, Melville, New York 11747.