

PRODUCT INFORMATION PACKET

Model No: M1125269.00

Catalog No: M1125269.00

Parallel Shaft Gearmotor, 0.25 HP, 90 V, 42 RPM, 32 Frame, IP55



Regal and are trademarks of Regal Rexnord Corporation or one of its affiliated companies.
©2022 Regal Rexnord Corporation, All Rights Reserved. MC017097E

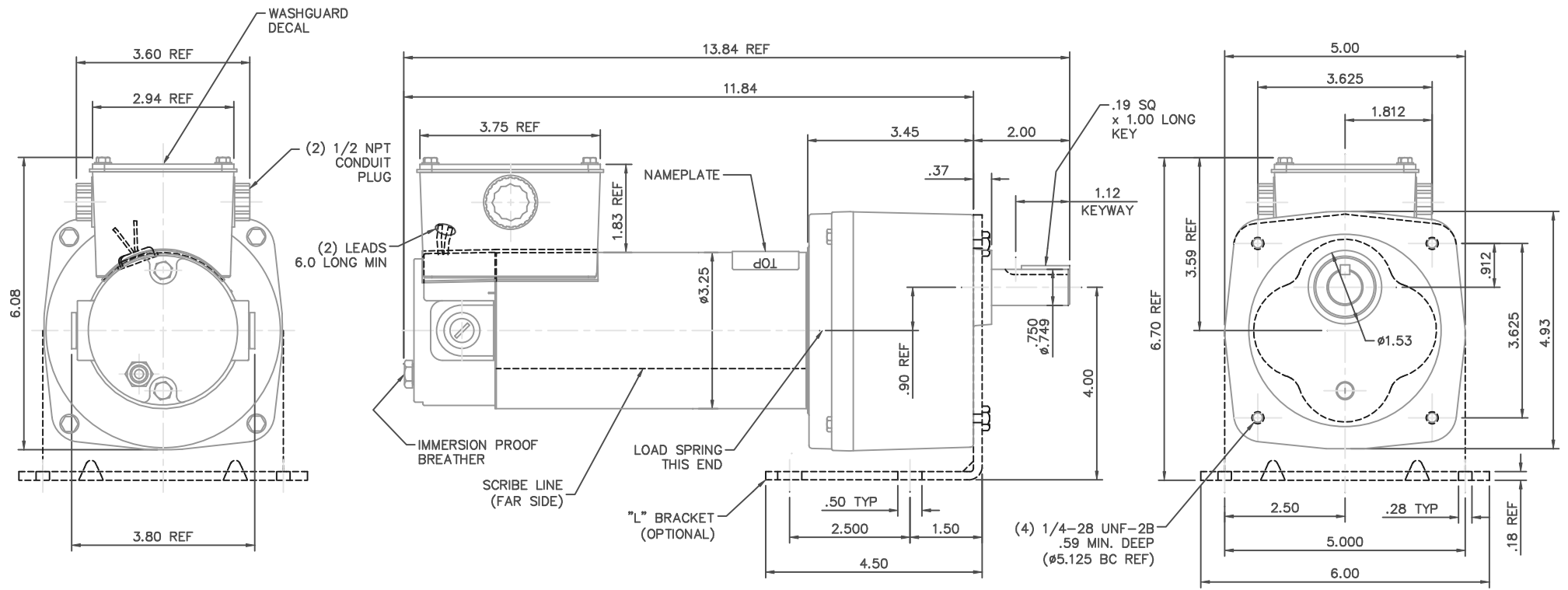
Nameplate Specifications

Output HP	0.25 Hp	Output KW	0.19 kW
Voltage	90 V	Current	2.6 A
Speed	42 rpm	Service Factor	1
Efficiency	65.3 %	Duty	Continuous
Insulation Class	F	Frame	32
Enclosure	IP55	Thermal Protection	No Protection
Ambient Temperature	40 °C	Drive End Bearing Size	6201
Opp Drive End Bearing Size	6201	UL	Recognized
CSA	Y	CE	Y

Technical Specifications

Rotation	Reversible	Mounting	Special
Shaft Type	Parallel	Overall Length	13.84 in
Frame Length	6.44 in	Shaft Diameter	0.750 in
Shaft Extension	1.63 in	Torque	280 LB-IN
Connection Drawing	M100530801	Outline Drawing	M1030991-M1125269

This is an uncontrolled document once printed or downloaded and is subject to change without notice. Date Created:09/19/2022

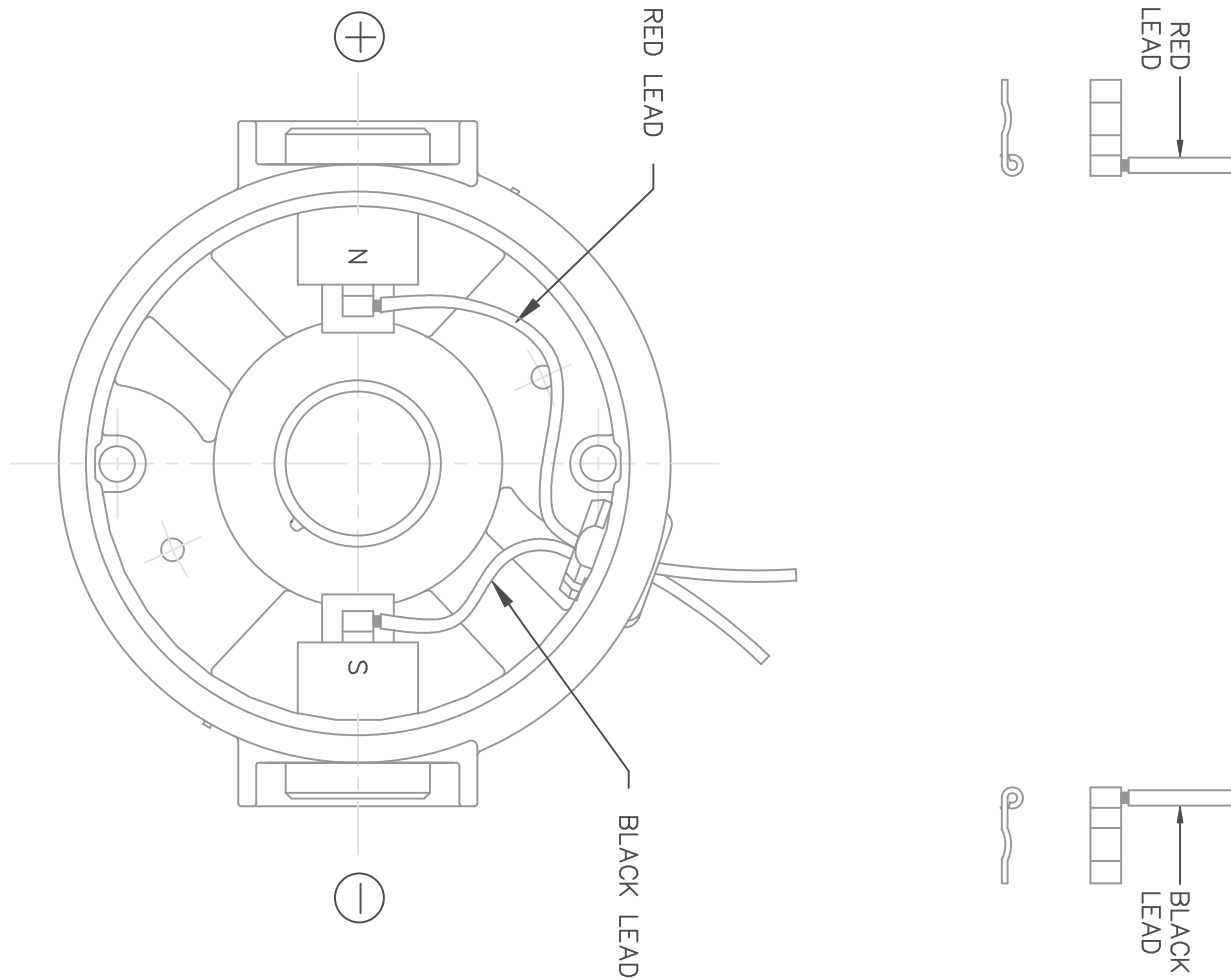


NOTES:
 1) GASKETS BETWEEN FRAME AND ENDBELL/GEARBOX, CONDUIT BOX AND FRAME, AND CONDUIT BOX COVER AND CONDUIT BOX.


CATALOG NUMBER	OUTPUT RPM	FULL LOAD TORQUE LB.-IN.	INPUT HP	OVERHUNG LOAD LBS.	RATIO TO 1
M1125269.00	42	280	1/4	327	58
M1125270.00	83	155	1/4	267	29
M1125271.00	250	45	1/4	201	10
M1125272.00	500	25	1/4	194	5

				TOLERANCES UNLESS SPECIFIED		LEESON ELECTRIC MOTORS GEARMOTORS AND DRIVES		DRAWN IPG 5/14/05		
				DEC.	INCHES			CHK	SAD 5/14/05	
				.X	±.1			APPD		
				.XX	±.03	TITLE		SCALE	1=2	
01	1/2 NPT CONDUIT PLUG QTY. WAS 3. ISAAC 08-3457	RPB	7/30/08	BC	.XXX	±.005	OUTLINE - 32 FRAME DC 90V - PE350 GEARMOTOR	REF	PR040127-RD1	
00	RELEASED: REF. PR040127-RD1	IPG	5/14/05	SAD	.XXXX	±.0005	MAT'L	FMF	M1125269.00	
NO.		REVISION		BY & DATE		FINISH		PREV		
THIS DRAWING IN DESIGN AND DETAIL IS OUR PROPERTY AND MUST NOT BE USED EXCEPT IN CONNECTION WITH OUR WORK ALL RIGHTS OF DESIGN AND INVENTION ARE RESERVED THIS IS AN ELECTRONICALLY GENERATED DOCUMENT - DO NOT SCALE THIS PRINT				RFP	ANG	±1/2"	CAD FILE	M1030991	SIZE	DRAWING NO.
				DIST			B	M1030991.00	REV.	
									01	

D.C. MOTORS



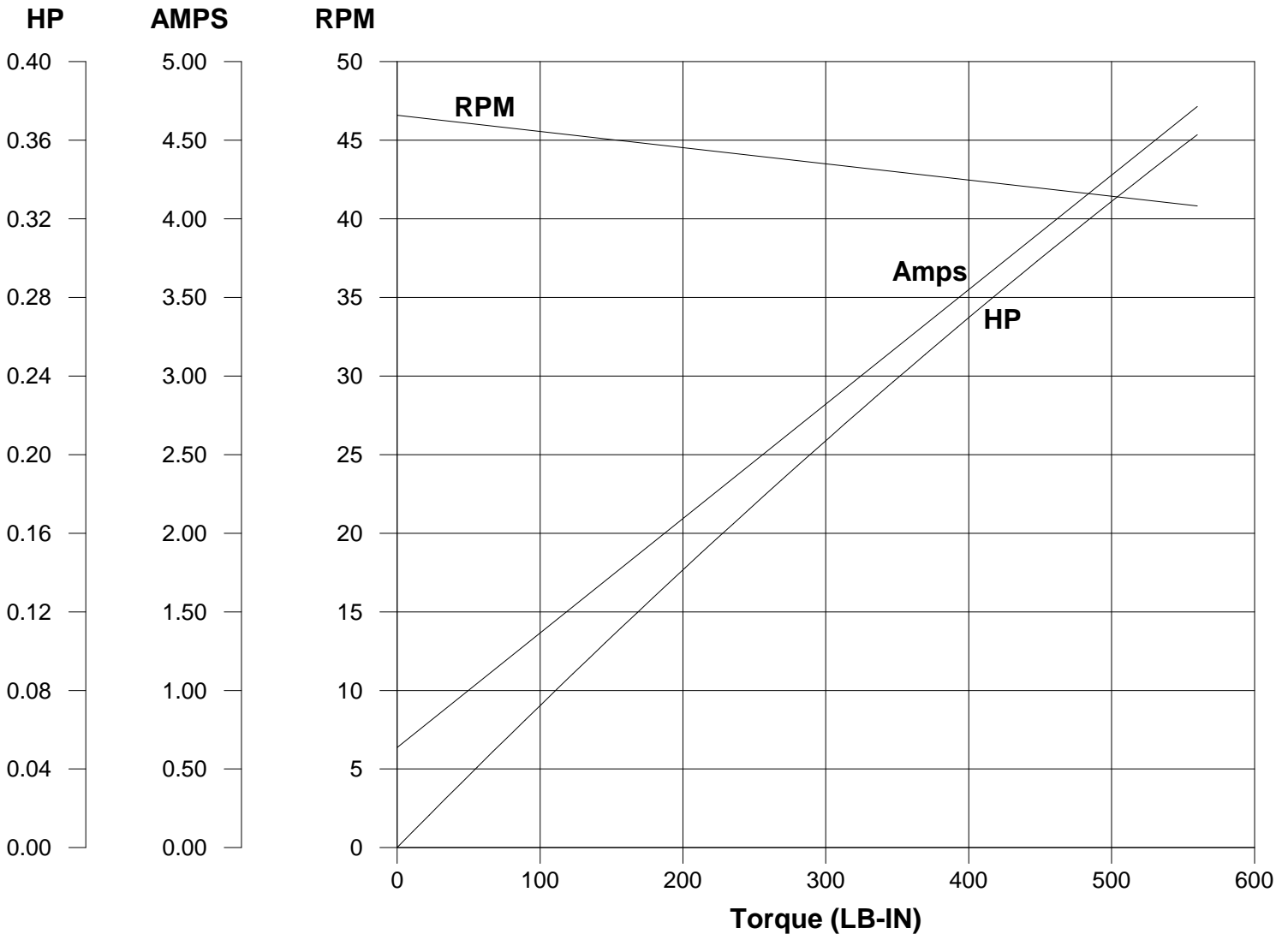
EXTERNAL CONNECTIONS FOR CW ROTATION
 VIEWING LEAD END OF MOTOR WITH RED LEAD
 POSITIVE (+) AND BLACK LEAD NEGATIVE (-)
 FOR CCW ROTATION REVERSE POLARITY

				TOLERANCES UNLESS SPECIFIED		 ELECTRIC MOTORS GEARMOTORS AND DRIVES	DRAWN IPG 4/8/05 CHK SAD 4/8/05 APPD SCALE 1=1 REF PR040117-RD1 FMF M1120085.00 PREV	
				DEC.	INCHES		TITLE	CONNECTION DIAGRAM
				.X	±.1			
				.XX	±.01			
				.XXX	±.005			
00	RELEASED: REF. PR040117-RD1	IPG 4/8/05	SAD	.XXXX	±.0005	MAT'L.		
NO.	REVISION	BY & DATE	CHK	ANG	±1/2'	FINISH		
THIS DRAWING IN DESIGN AND DETAIL IS OUR PROPERTY AND MUST NOT BE USED EXCEPT IN CONNECTION WITH OUR WORK ALL RIGHTS OF DESIGN AND INVENTION ARE RESERVED THIS IS AN ELECTRONICALLY GENERATED DOCUMENT - DO NOT SCALE THIS PRINT				RFP		CAD FILE	M100530801	
				DIST		SIZE	DRAWING NO.	
						A	M1005308.01	
							REV.	
							00	

LEESON ELECTRIC CORPORATION

TYPICAL PERFORMANCE CURVE FOR DIRECT CURRENT PERMANENT MAGNET MOTOR

Model No. <u>CM32D25NZ1</u>	Catalog No. <u>M1125269.00</u>	
HP <u>0.250</u>	RPM <u>42</u>	DC Volts <u>90.0</u>
F.F. <u>1.38</u>	Encl <u>TENV</u>	Type <u>DN</u>
Max. Amb. <u>40.0 Deg C</u>	Insul. <u>F</u>	Frame <u>32</u>
		N.P. FLA <u>2.60</u>
		S.F. <u>1.00</u>
		Duty <u>Cont.</u>



Ra <u>1.9900</u> Ohms	Kt <u>2.864</u> LB-IN/AMP
La <u>12.46</u> mHenrys	Imax <u>37.3</u> AMPS Allowed
Ja <u>1.883</u> KG-CM ²	FL Torque <u>280.0</u> LB-IN
Ke <u>33.89</u> V/KRPM	FL EFF <u>65.30</u> %

Winding W- MD3227-1B **Prepared by** V. Boehlen **Date** 12-06-2010