

# PRODUCT INFORMATION PACKET

Model No: M1125039.00

Catalog No: M1125039.00

Parallel Shaft Gearmotor, 0.13 HP, 180 V, 51 RPM, 30 Frame, TENV



Regal and are trademarks of Regal Rexnord Corporation or one of its affiliated companies.  
©2022 Regal Rexnord Corporation, All Rights Reserved. MC017097E

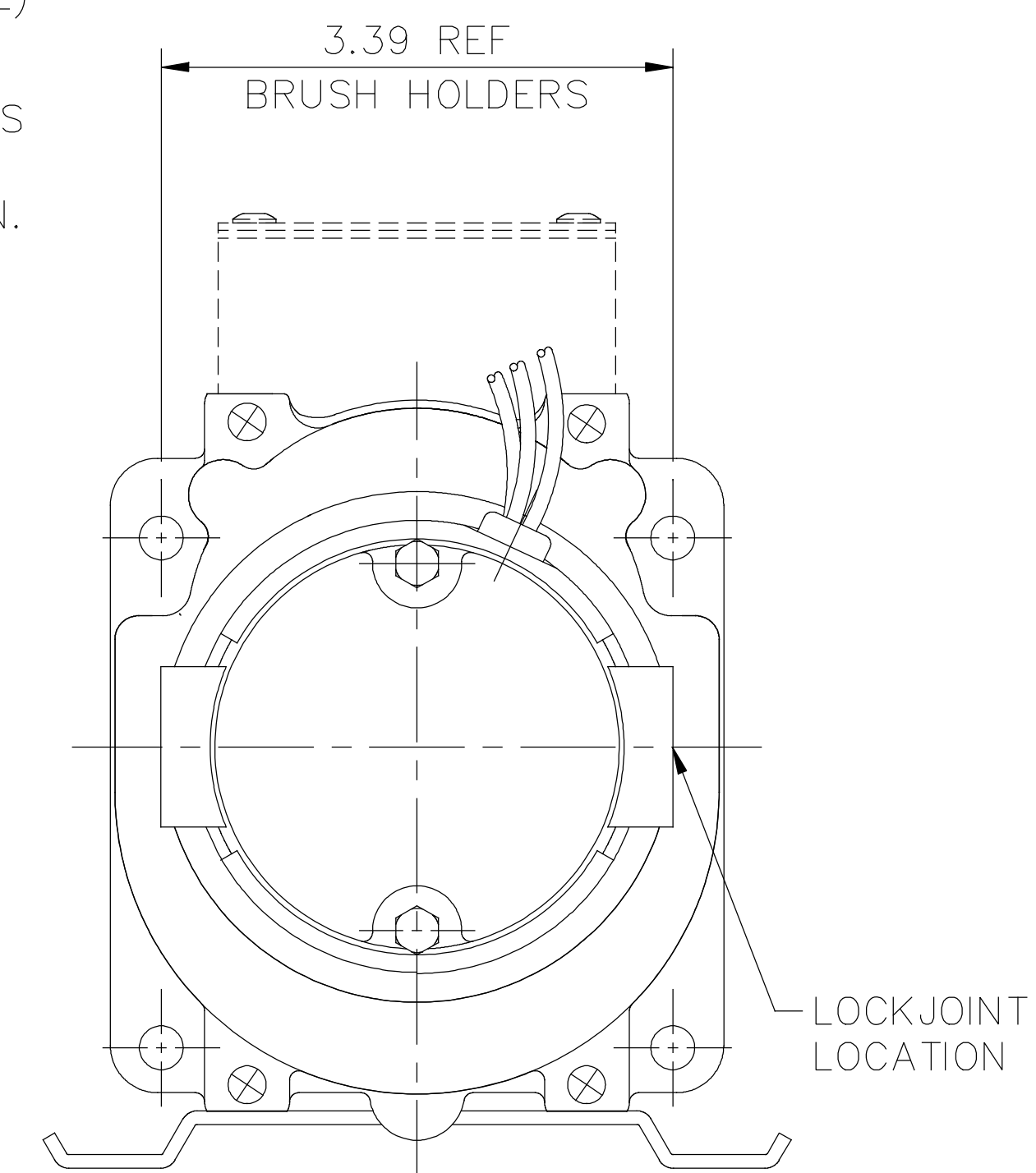
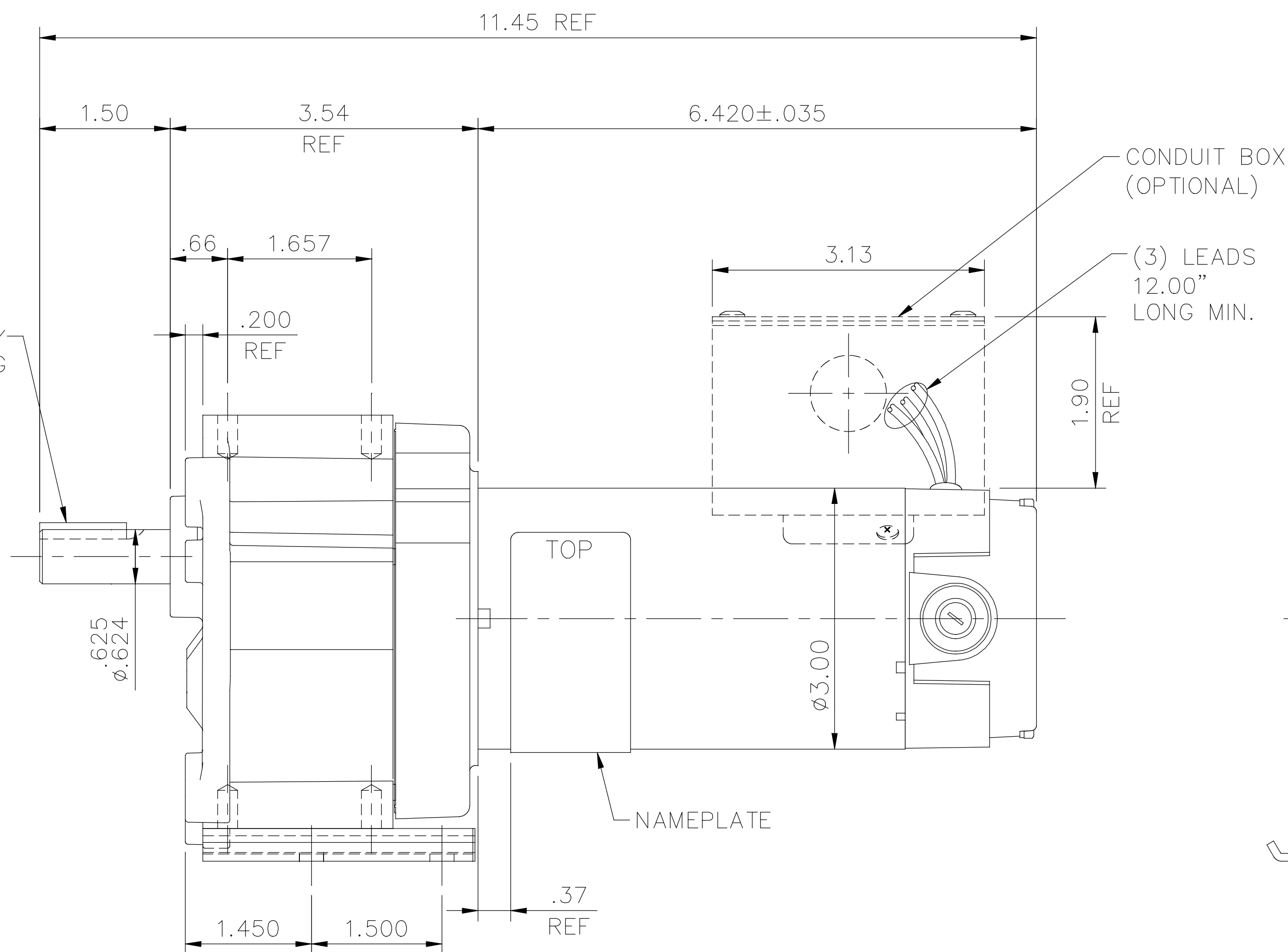
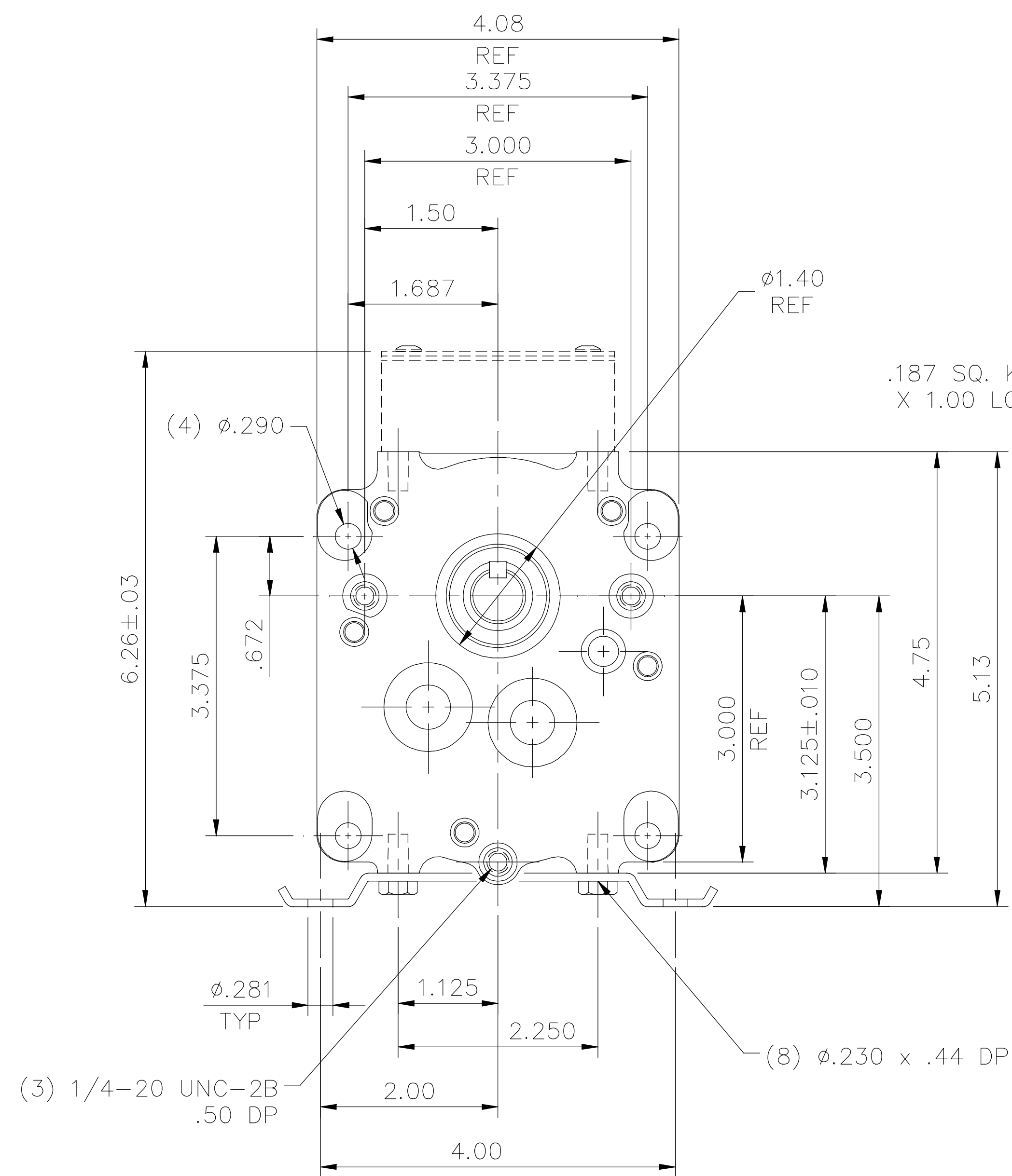
**Nameplate Specifications**

Output HP	0.13 Hp	Output KW	0.10 kW
Voltage	180 V	Current	0.66 A
Speed	51 rpm	Service Factor	1
Efficiency	64 %	Duty	Continuous
Insulation Class	F	Frame	30
Enclosure	Totally Enclosed Non Ventilated	Thermal Protection	No Protection
Ambient Temperature	40 °C	Drive End Bearing Size	6000
Opp Drive End Bearing Size	6000	UL	Recognized
CSA	Y	CE	Y

**Technical Specifications**

Rotation	Reversible	Mounting	Special
Shaft Type	Parallel	Overall Length	11.45 in
Frame Length	4.91 in	Shaft Diameter	0.625 in
Shaft Extension	1.5 in	Torque	130 LB-IN
Connection Drawing	M100530201	Outline Drawing	M1030961-M1125039

This is an uncontrolled document once printed or downloaded and is subject to change without notice. Date Created:09/19/2022

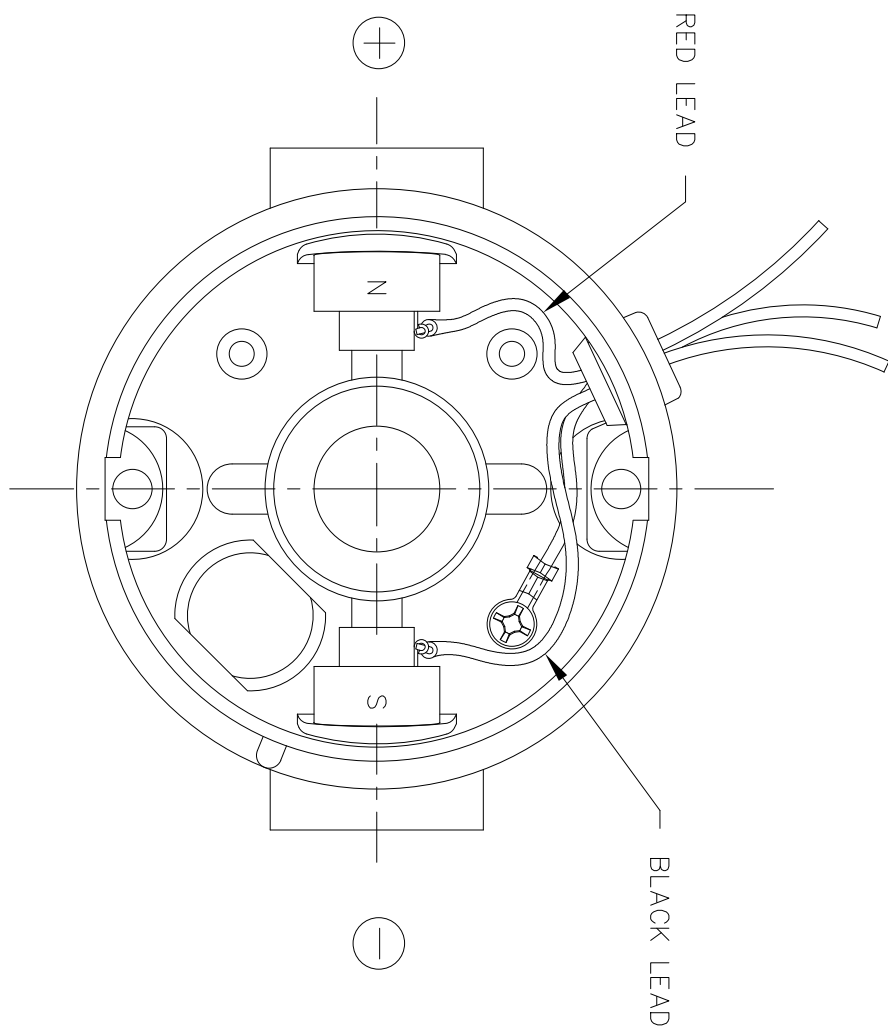


CATALOG No.	VOLTS	HP	RATIO	TORQUE IN-LB	RPM
M1125072.00	90	1/8	29:1	113	61
M1125069.00	90	1/8	76:1	280	24
M1125070.00	90	1/8	58:1	220	31
M1125073.00	90	1/8	19:1	77	94
M1125039.00	180	1/8	35:1	130	51
M1125071.00	90	1/8	35:1	130	51
M1125074.00	90	1/8	11:1	43	167
M1125038.00	180	1/8	58:1	220	31
M1125040.00	180	1/8	19:1	77	94
M1125041.00	180	1/8	10:1	43	170

ITEM No.	ITEM REV
-00	0


		TOLERANCES UNLESS SPECIFIED		LEESON ELECTRIC MOTORS GEARMOTORS AND DRIVES		DRAWN RWS 3/18/05	
		DEC.	INCHES			CHK	RPB 3/18/05
		.X	±.1	TITLE		SCALE 1=2	
		.XX	±.03	OUTLINE		REF M1030940.00	
D	UPDATED 1.40 HUB DIM TO MATCH GBOX, ECO-0128172	IPG	7/26/17	30 FRAME DC- P300 GEARBOX		FMF M1125074.00	
00	RELEASED COMM CONSOLIDATION PROJECT	RWS	4/20/05	MAT'L.		PREV	
NO.	REVISION	BY & DATE	CHK	ANG	FINISH		
			RFP		CAD FILE	M1030961	SIZE DRAWING NO.
THIS DRAWING IN DESIGN AND DETAIL IS OUR PROPERTY AND MUST NOT BE USED EXCEPT IN CONNECTION WITH OUR WORK ALL RIGHTS OF DESIGN AND INVENTION ARE RESERVED THIS IS AN ELECTRONICALLY GENERATED DOCUMENT - DO NOT SCALE THIS PRINT			DIST			B	M1030961
						REV.	D

D.C. MOTORS



EXTERNAL CONNECTIONS FOR CW ROTATION  
 VIEWING LEAD END OF MOTOR WITH RED LEAD  
 POSITIVE (+) AND BLACK LEAD NEGATIVE (-)  
 FOR CCW ROTATION REVERSE POLARITY

ITEM	REV
	001

				TOLERANCES UNLESS SPECIFIED		 ELECTRIC MOTORS GEARMOTORS AND DRIVES	DRAWN RWS 3/15/05 CHK RPB 3/15/05 APPD SCALE 1=1 REF 901.706 FMF M115002.00 PREV			
				DEC.	INCHES		TITLE	CONNECTION DIAGRAM		
				.X	±.1					
				.XX	±.01					
C	BRUSH HOLDERS ROTATED 90°, ECR-0207997	IPG 11/12/21		.XXX	±.005					
00	RELEASED COMM CONVERSION PROJECT	RWS 4/13/05	RPB	.XXXX	±.0005	MAT'L.				
NO.	REVISION	BY & DATE	CHK	ANG	±1/2°	FINISH				
THIS DRAWING IN DESIGN AND DETAIL IS OUR PROPERTY AND MUST NOT BE USED EXCEPT IN CONNECTION WITH OUR WORK ALL RIGHTS OF DESIGN AND INVENTION ARE RESERVED THIS IS AN ELECTRONICALLY GENERATED DOCUMENT - DO NOT SCALE THIS PRINT				RFP		CAD FILE	M100530201	SIZE	DRAWING NO.	REV.
				DIST				A	M1005302.01	C
							<b>4 of 4</b>			