



Installation instruction ecolink / ecolink fast connect

ecolink connector

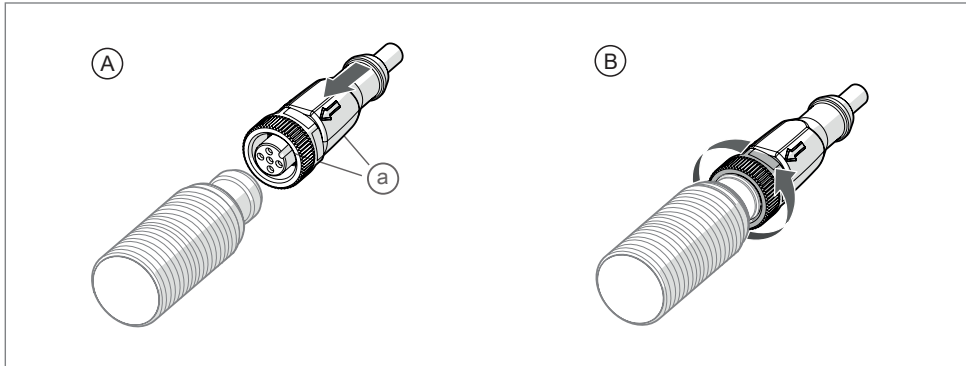


Fig. 1: ecolink connector installation

- ▶ Connect the connector with the device (A).
- ▶ When doing so, ensure that the coding is positioned correctly.
For M12 connectors, the arrow indicates the position of the keyway (a).
- ▶ Tighten the coupling nut by hand to ensure the specified protection rating (B).

(Optional) For use in harsh environments and with increased shock and vibration resistance:

- ▶ Tighten the coupling nut one notch further using a spanner. When doing so, do not exceed the maximum tightening torque (→ data sheet) of the counterpart.

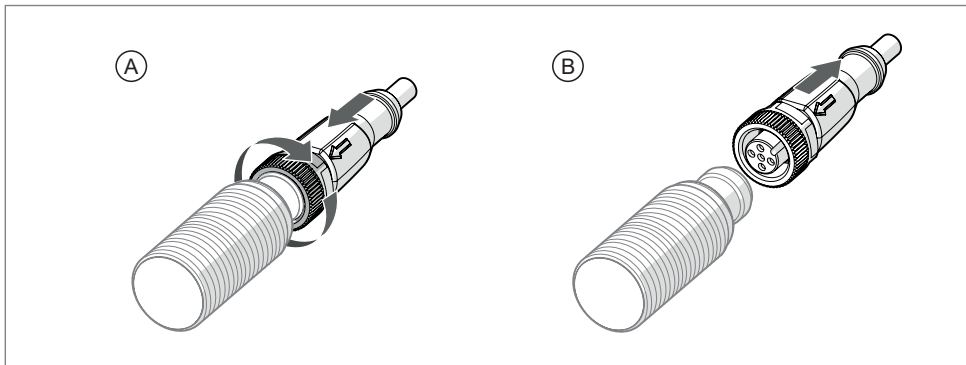


Fig. 2: Demounting of the ecolink connector

- ▶ Press the connector against the unit and simultaneously loosen the coupling nut (A).
- ▶ Disconnect the connector from the device (B).