

BALDOR® • RELIANCE

Product Information Packet

L1322TM

2HP,1725RPM,1PH,60HZ,145T,3532LC,OPEN,F1

Part Detail							
Revision:	H	Status:	PRD/A	Change #:		Proprietary:	No
Type:	AC	Elec. Spec:	35WGY690	CD Diagram:	CD0320	Mfg Plant:	
Mech. Spec:	35EE002	Layout:	35LYEE002	Poles:	04	Created Date:	12-22-2009
Base:	RG	Eff. Date:	08-21-2017	Leads:	4#16 A&J,2#18 B PH,1#14 #4TH		

Specs			
Catalog Number:	L1322TM	Inverter Code:	Not Inverter
Enclosure:	OPEN	KVA Code:	J
Frame:	145T	Lifting Lugs:	No Lifting Lugs
Frame Material:	Steel	Locked Bearing Indicator:	No Locked Bearing
Output @ Frequency:	2.000 HP @ 60 HZ	Motor Lead Quantity/Wire Size:	4 @ 16 AWG, A&J
Synchronous Speed @ Frequency:	1800 RPM @ 60 HZ	Motor Lead Exit:	Ko Box
Voltage @ Frequency:	115.0 V @ 60 HZ	Motor Lead Termination:	Flying Leads
	230.0 V @ 60 HZ	Motor Type:	3532LC
XP Class and Group:	None	Mounting Arrangement:	F1
XP Division:	Not Applicable	Power Factor:	89
Agency Approvals:	UR	Product Family:	General Purpose
	CSA	Pulley End Bearing Type:	Ball
Auxillary Box:	No Auxillary Box	Pulley Face Code:	Standard
Auxillary Box Lead Termination:	None	Pulley Shaft Indicator:	Standard
Base Indicator:	Rigid	Rodent Screen:	None
Bearing Grease Type:	Polyrex EM (-20F +300F)	Shaft Extension Location:	Pulley End
Blower:	None	Shaft Ground Indicator:	No Shaft Grounding
Current @ Voltage:	18.400 A @ 115.0 V	Shaft Rotation:	Reversible

	9.200 A @ 230.0 V	Shaft Slinger Indicator:	No Slinger
Design Code:	L	Speed Code:	Single Speed
Drip Cover:	No Drip Cover	Motor Standards:	NEMA
Duty Rating:	CONT	Starting Method:	Direct on line
Electrically Isolated Bearing:	Not Electrically Isolated	Thermal Device - Bearing:	None
Feedback Device:	NO FEEDBACK	Thermal Device - Winding:	None
Front Face Code:	Standard	Vibration Sensor Indicator:	No Vibration Sensor
Front Shaft Indicator:	None	Winding Thermal 1:	Manual Thermal Overload
Heater Indicator:	No Heater	Winding Thermal 1 Location:	SK
Insulation Class:	F	Winding Thermal 2:	None

Nameplate NP1257L	
CAT.NO.	L1322TM
SPEC.	35EE002Y690
HP	2
VOLTS	115/230
AMP	18.4/9.2
RPM	1725
FRAME	145T
HZ	60
PH	1
SER.F.	1.15
CODE	J
DES	L
CL	F
NEMA-NOM-EFF	78.5
PF	89
RATING	40C AMB-CONT
CC	USABLE AT 208V
DE	6205
ODE	6203
ENCL	OPEN
SN	

AC Induction Motor Performance Data

Record # 61958 - Typical performance - not guaranteed values

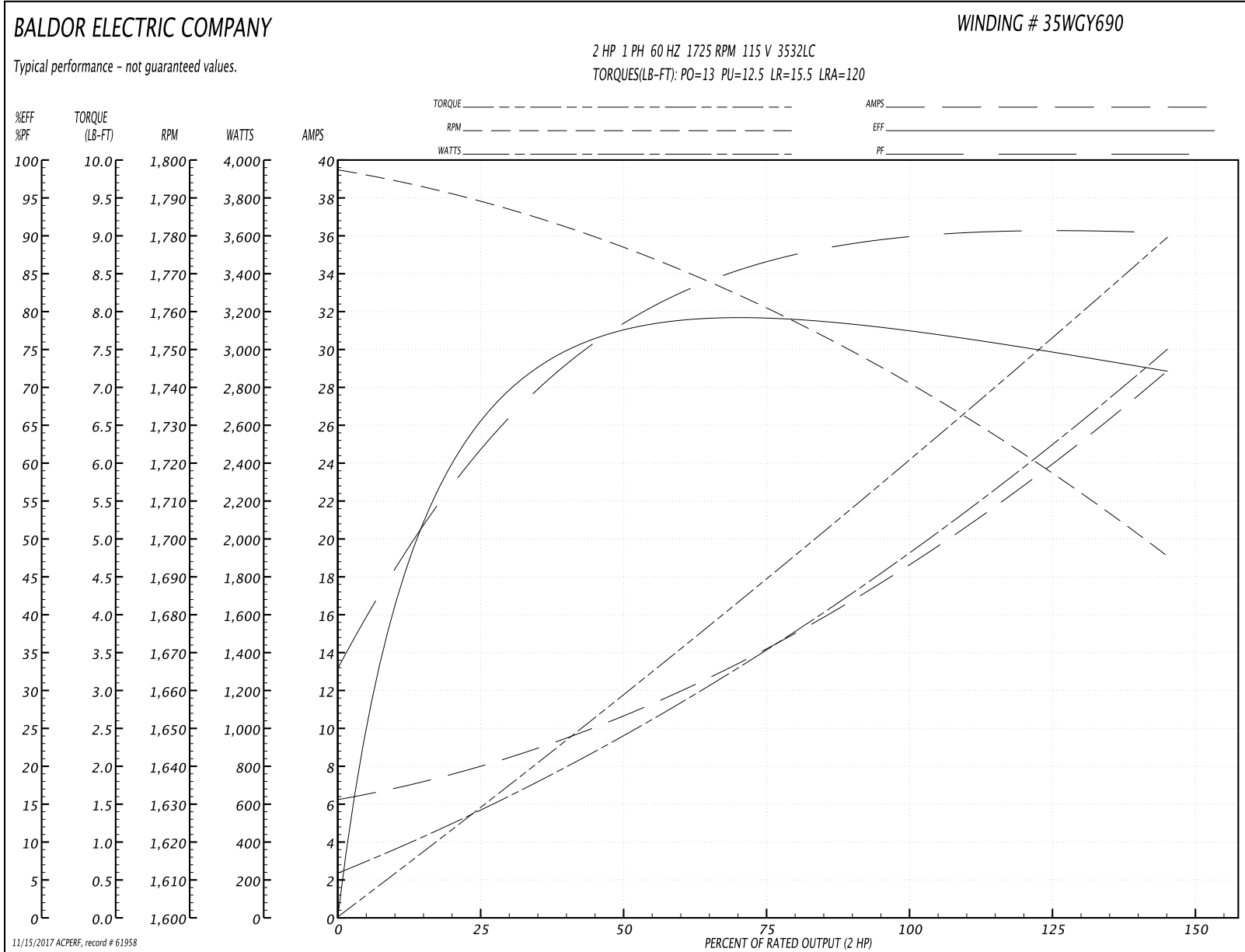
Winding: 35WGY690-R004	Type: 3532LC	Enclosure: OPEN
-------------------------------	---------------------	------------------------

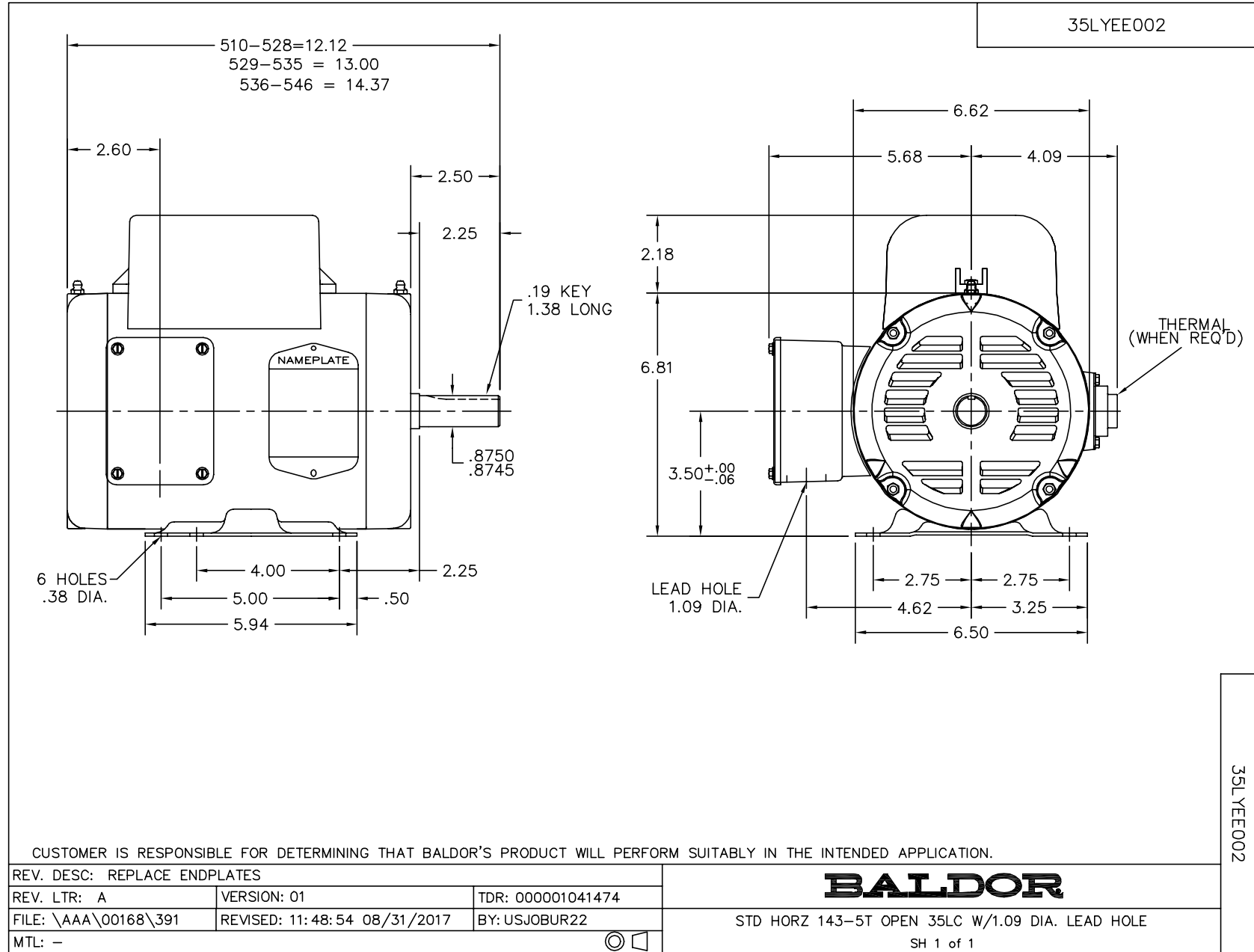
Nameplate Data				115 V, 60 Hz: Low Voltage Connection	
Rated Output (HP)	2			Full Load Torque	6 LB-FT
Volts	115/230			Start Configuration	direct on line
Full Load Amps	18.4/9.2			Breakdown Torque	13 LB-FT
R.P.M.	1725			Pull-up Torque	12.5 LB-FT
Hz	60	Phase	1	Locked-rotor Torque	15.5 LB-FT
NEMA Design Code	L	KVA Code	J	Starting Current	120 A
Service Factor (S.F.)	1.15			No-load Current	6 A
NEMA Nom. Eff.	78.5	Power Factor	89	Line-line Res. @ 25°C	0.355 Ω A Ph 1.22 Ω B Ph
Rating - Duty	40C AMB-CONT			Temp. Rise @ Rated Load	47°C
S.F. Amps				Temp. Rise @ S.F. Load	56°C
				Locked-rotor Power Factor	88.1
				Rotor inertia	0.19 LB-FT ²

Load Characteristics 115 V, 60 Hz, 2 HP

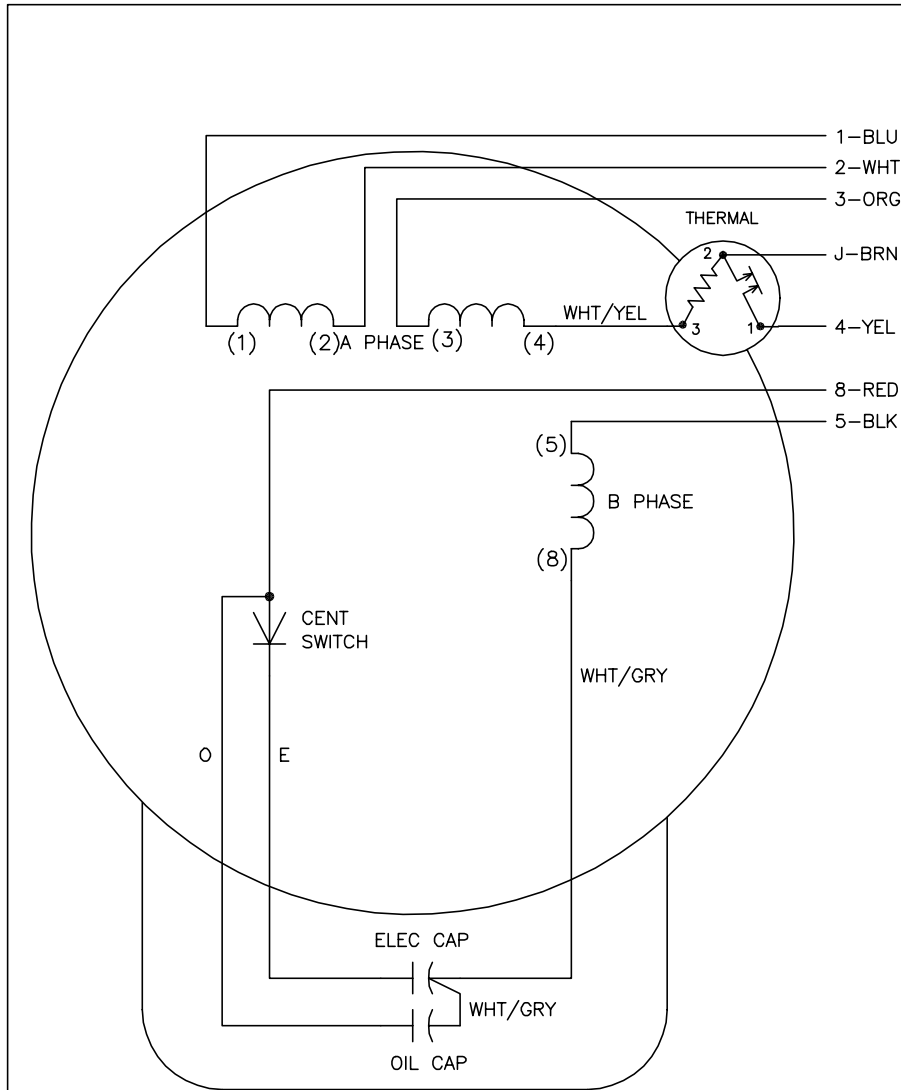
% of Rated Load	25	50	75	100	125	150	S.F.
Power Factor	60	78	88	90	91	90	91
Efficiency	67	74.9	78.7	79	75.2	71.7	76.7
Speed	1789	1775	1760	1743	1721	1694	1730
Line amperes	8.2	11.2	14.2	18.2	23.2	29.2	21.2

Performance Graph at 115V, 60Hz, 2.0HP Typical performance - Not guaranteed values





CD0320



	LINE A	LINE B	JOIN	JOIN
HIGH STD	1,8	4	2,3,5	J
HIGH OPP	1,5	4	2,3,8	J
LOW STD	1,3,8	4	-	2,J,5
LOW OPP	1,3,5	4	-	2,J,8

NOTES:

1. STANDARD ROTATION IS CCW FACING END OPPOSITE SHAFT EXTENSION.
2. MULTIPLE CAPACITORS ARE CONNECTED IN PARALLEL UNLESS OTHERWISE SPECIFIED.
3. LEAD COLORS ARE OPTIONAL. LEADS MUST ALWAYS BE NUMBERED AS SHOWN.

CD0320

REV. DESC: ADD INTERNAL CONNECTION TO HELP MANUFACTURING		
REV. LTR: G	VERSION: 01	TDR: 000000941594
FILE: \AAA\00007\422	REVISED: 02:21:00 08/28/2015	BY: ENALEMO
MTL: -		

BALDOR

TYPE LC, DV, REV, THERMAL, B PH AMPS THRU HTR HVC, 7 LEAD

SH 1 of 1