

BALDOR® • RELIANCE

Product Information Packet

CTM2276T

7.5HP, 1160RPM, 3PH, 60HZ, 254T, 0756M, TEAO, F

Part Detail							
Revision:	D	Status:	PRD/A	Change #:		Proprietary:	No
Type:	AC	Elec. Spec:	07WGX825	CD Diagram:	CD0005	Mfg Plant:	
Mech. Spec:	07N393	Layout:	07LYN393	Poles:	06	Created Date:	08-14-2015
Base:	RG	Eff. Date:	06-05-2017	Leads:	9#14		

Specs			
Catalog Number:	CTM2276T	Heater Indicator:	No Heater
Enclosure:	TEAO	Insulation Class:	F
Frame:	254T	Inverter Code:	Not Inverter
Frame Material:	Iron	KVA Code:	K
Output @ Frequency:	7.500 HP @ 60 HZ	Lifting Lugs:	Vertical Lifting Lugs
Synchronous Speed @ Frequency:	1200 RPM @ 60 HZ	Locked Bearing Indicator:	Locked Bearing
Voltage @ Frequency:	208.0 V @ 60 HZ	Motor Lead Quantity/Wire Size:	9 @ 14 AWG
	230.0 V @ 60 HZ	Motor Lead Exit:	Ko Box
	460.0 V @ 60 HZ	Motor Lead Termination:	Flying Leads
XP Class and Group:	None	Motor Type:	0756M
XP Division:	Not Applicable	Mounting Arrangement:	F1
Agency Approvals:	UR	Power Factor:	72
	CSA	Product Family:	Chemical Processing (Not DC)
Auxillary Box:	No Auxillary Box	Pulley End Bearing Type:	Sealed Bearing
Auxillary Box Lead Termination:	None	Pulley Face Code:	Standard
Base Indicator:	Rigid	Pulley Shaft Indicator:	Tapped & Key
Bearing Grease Type:	Polyrex EM (-20F +300F)	Rodent Screen:	None
Blower:	None	Shaft Extension Location:	Pulley End

Current @ Voltage:	10.900 A @ 460.0 V	Shaft Ground Indicator:	No Shaft Grounding
	21.800 A @ 230.0 V	Shaft Rotation:	Reversible
	24.000 A @ 208.0 V	Shaft Slinger Indicator:	Shaft Slinger
Design Code:	A	Speed Code:	Single Speed
Drip Cover:	No Drip Cover	Motor Standards:	NEMA
Duty Rating:	CONT	Starting Method:	Direct on line
Electrically Isolated Bearing:	Not Electrically Isolated	Thermal Device - Bearing:	None
Feedback Device:	NO FEEDBACK	Thermal Device - Winding:	None
Front Face Code:	Standard	Vibration Sensor Indicator:	No Vibration Sensor
Front Shaft Indicator:	None	Winding Thermal 1:	None
		Winding Thermal 2:	None

Nameplate NP1258E				
CAT.NO.	CTM2276T			
SPEC.	07N393X825H1			
HP	7.5			
VOLTS	208-230/460			
AMP	24-21.8/10.9			
RPM	1160			
FRAME	254T	HZ	60	
SER.F.	1.15	CODE	K	
NEMA-NOM-EFF	89.5	DES	A	
RATING	40C AMB-CONT		PH	3
CC		PF	72	
DE	6309	ODE	6206	
ENCL	TEAO	SN		
	1275 FPM 170 CFM			
			CL	F
			USABLE AT 208V	

AC Induction Motor Performance Data

Record # 52119 - Typical performance - not guaranteed values

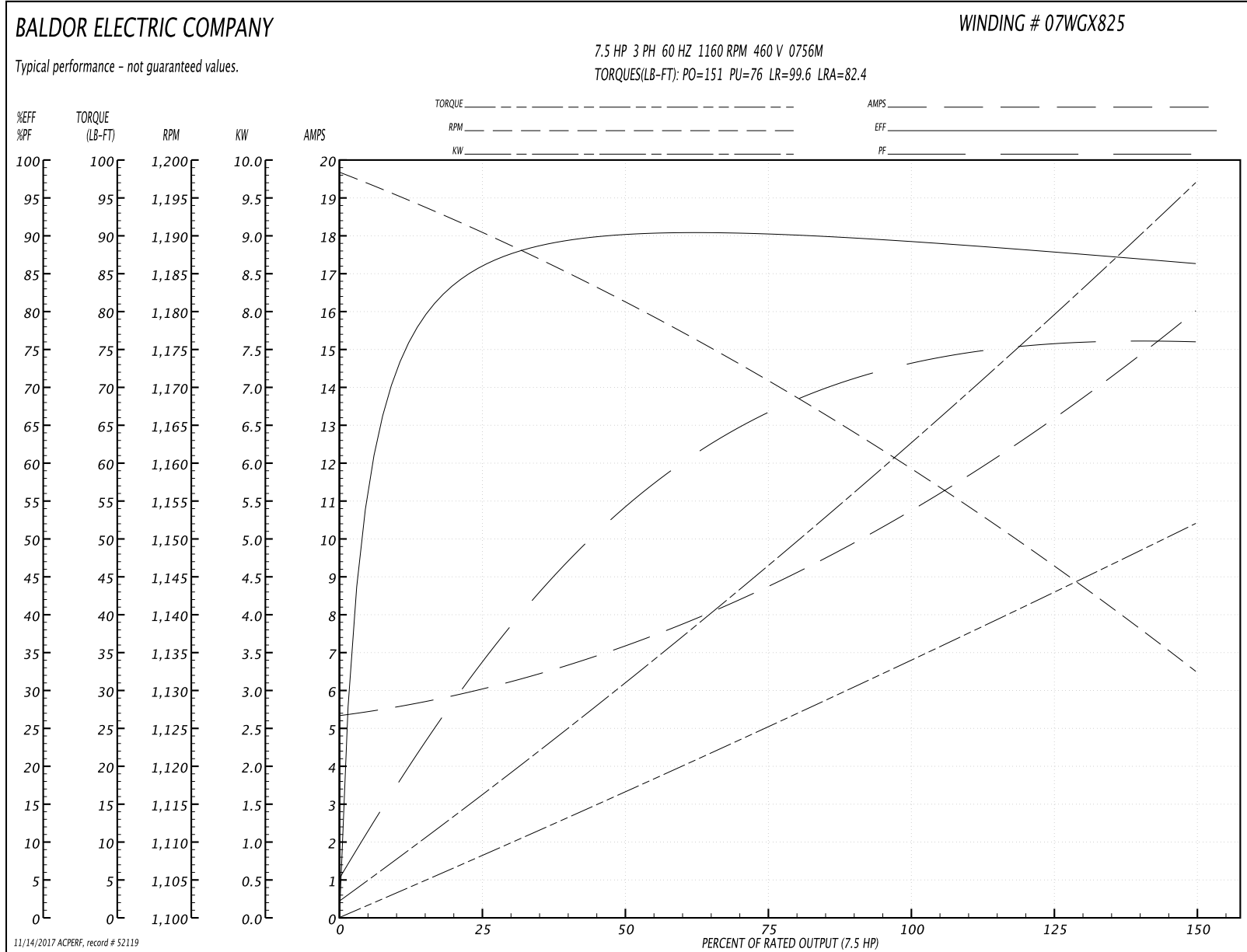
Winding: 07WGX825-R014	Type: 0756M	Enclosure: TEAO
-------------------------------	--------------------	------------------------

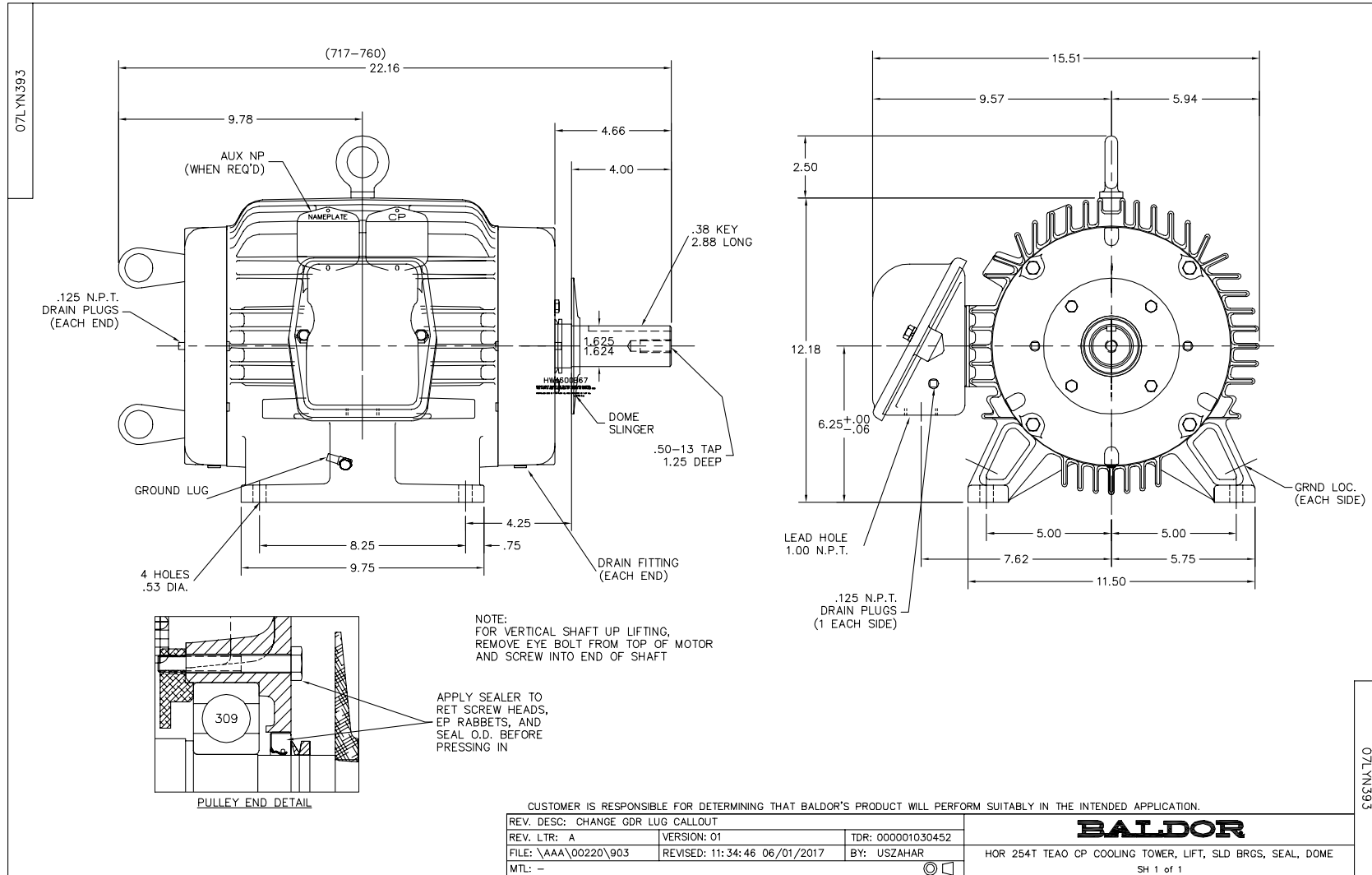
Nameplate Data				460 V, 60 Hz: High Voltage Connection	
Rated Output (HP)	7.5			Full Load Torque	33.78 LB-FT
Volts	208-230/460			Start Configuration	direct on line
Full Load Amps	24-21.8/10.9			Breakdown Torque	151 LB-FT
R.P.M.	1160			Pull-up Torque	76 LB-FT
Hz	60	Phase	3	Locked-rotor Torque	99.6 LB-FT
NEMA Design Code	A	KVA Code	K	Starting Current	82.4 A
Service Factor (S.F.)	1.15			No-load Current	5.5 A
NEMA Nom. Eff.	89.5	Power Factor	72	Line-line Res. @ 25°C	1.0788 Ω
Rating - Duty	40C AMB-CONT			Temp. Rise @ Rated Load	53°C
S.F. Amps				Temp. Rise @ S.F. Load	67°C
				Locked-rotor Power Factor	21.9

Load Characteristics 460 V, 60 Hz, 7.5 HP

% of Rated Load	25	50	75	100	125	150	S.F.
Power Factor	35	55	66	72	75	77	74
Efficiency	85.5	89.9	90.3	89.5	88	86.2	88.6
Speed	1190	1181	1171	1160.1	1147	1132	1152
Line amperes	5.82	7.07	8.75	10.8	13.3	15.9	12.3

Performance Graph at 460V, 60Hz, 7.5HP Typical performance - Not guaranteed values

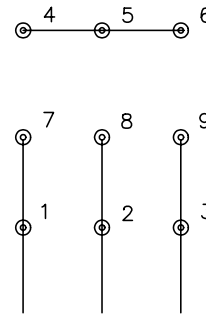




CD0005

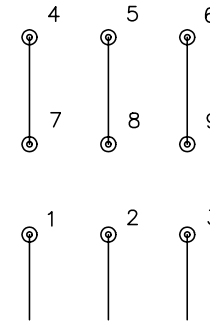


LOW VOLTAGE
(2Y)



LINE

HIGH VOLTAGE
(1Y)



LINE

NOTES:

1. INTERCHANGE ANY TWO LINE LEADS TO REVERSE ROTATION.
2. OPTIONAL THERMOSTATS ARE PROVIDED WHEN SPECIFIED.
3. ACTUAL NUMBER OF INTERNAL PARALLEL CIRCUITS MAY BE A MULTIPLE OF THOSE SHOWN ABOVE.
4. LEAD COLORS ARE OPTIONAL. LEADS MUST ALWAYS BE NUMBERED AS SHOWN.

REV. DESC: REVISE TO SHOW OPTIONAL COLORS			
REV. LTR: E	BY: JLP	REVISED: 01/19/99 10:15	TDR: 0171435
9000D		FILE: AAA00005140	MDL: -
		MTL: -	

BALDOR ELECTRIC Co.

3PH, DV, 9 LEADS

CD0005