

BALDOR® • ***RELIANCE***

Product Information Packet

ECP3764T-5

3HP,1165RPM,3PH,60HZ,213T,0738M,TEFC,F1

Part Detail							
Revision:	S	Status:	PRD/A	Change #:		Proprietary:	No
Type:	AC	Elec. Spec:	07WGX904	CD Diagram:	CD0006	Mfg Plant:	
Mech. Spec:	07K374	Layout:	07LYK374	Poles:	06	Created Date:	03-20-2009
Base:	RG	Eff. Date:	10-02-2017	Leads:	3#14		

Specs			
Catalog Number:	ECP3764T-5	Inverter Code:	Inverter Duty
Enclosure:	TEFC	KVA Code:	K
Frame:	213T	Lifting Lugs:	Standard Lifting Lugs
Frame Material:	Iron	Locked Bearing Indicator:	No Locked Bearing
Output @ Frequency:	3.000 HP @ 60 HZ	Motor Lead Quantity/Wire Size:	3 @ 14 AWG
Synchronous Speed @ Frequency:	1200 RPM @ 60 HZ	Motor Lead Exit:	Ko Box
Voltage @ Frequency:	575.0 V @ 60 HZ	Motor Lead Termination:	Flying Leads
XP Class and Group:	None	Motor Type:	0738M
XP Division:	Division II	Mounting Arrangement:	F1
Agency Approvals:	CSA EEV	Power Factor:	70
	UR	Product Family:	Super-E Chemical Processing
	CSA	Pulley End Bearing Type:	Ball
	CCSA US	Pulley Face Code:	Standard
Auxillary Box:	No Auxillary Box	Pulley Shaft Indicator:	Standard
Auxillary Box Lead Termination:	None	Rodent Screen:	None
Base Indicator:	Rigid	RoHS Status:	ROHS COMPLIANT
Bearing Grease Type:	Polyrex EM (-20F +300F)	Shaft Extension Location:	Pulley End
Blower:	None	Shaft Ground Indicator:	No Shaft Grounding

Constant Torque Speed Range:	1.7	Shaft Rotation:	Reversible
Current @ Voltage:	3.600 A @ 575.0 V	Shaft Slinger Indicator:	Shaft Slinger
Design Code:	B	Speed Code:	Single Speed
Drip Cover:	No Drip Cover	Motor Standards:	NEMA
Duty Rating:	CONT	Starting Method:	Direct on line
Electrically Isolated Bearing:	Not Electrically Isolated	Thermal Device - Bearing:	None
Feedback Device:	NO FEEDBACK	Thermal Device - Winding:	None
Front Face Code:	Standard	Vibration Sensor Indicator:	No Vibration Sensor
Front Shaft Indicator:	None	Winding Thermal 1:	None
Heater Indicator:	No Heater	Winding Thermal 2:	None
Insulation Class:	F	XP Temp Code:	T3C

Nameplate NP3257E										
CAT.NO.	ECP3764T-5									
SPEC.	07K374X904									
HP	3	TE								
VOLTS	575									
AMP	3.6									
RPM	1165									
FRAME	213T						HZ	60		
SER.F.	1.15				CODE	K		DES	B	
RATING	40C AMB-CONT									
SN										
DE	6307					ODE	6307			
NEMA-NOM-EFF	90.2					PF	70			
G.MIN.EFF	88.5					CC	010A			
T. CODE	T3C					T=	160			
								PH	3	
								CL	F	

Nameplate NP3260E	
SPEC.	07K374X904
D.E. BRG.	35BC03XP30X
O.D.E. BRG.	35BC03XP30X
GREASE	POLYREX EM
RPM MAX	1800
MAX. KVAR	1.3
BLANK	
INV. TYPE	PWM
T=	160
C HP FR	60
CT HZ FROM	1.7
VT HZ FROM	0-
C HP TO	90
CT HZ TO	60
VT HZ TO	60
HTR-VOLTS	
HTR-WATTS	
HTR-AMPS	
MAX. SPACE HEATER TEMP.	

AC Induction Motor Performance Data

Record # 47123 - Typical performance - not guaranteed values

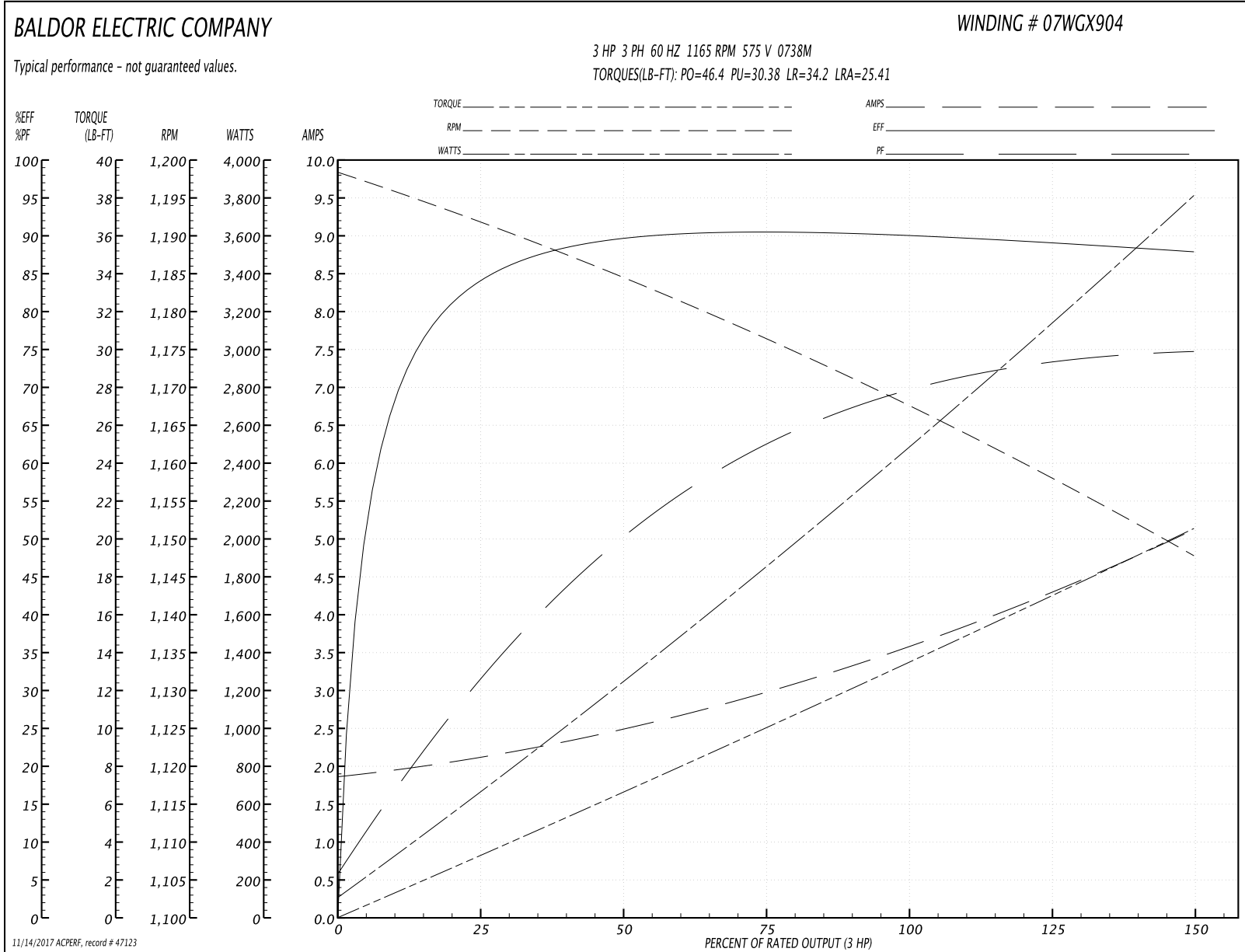
Winding: 07WGX904-R006	Type: 0738M	Enclosure: TEAO
-------------------------------	--------------------	------------------------

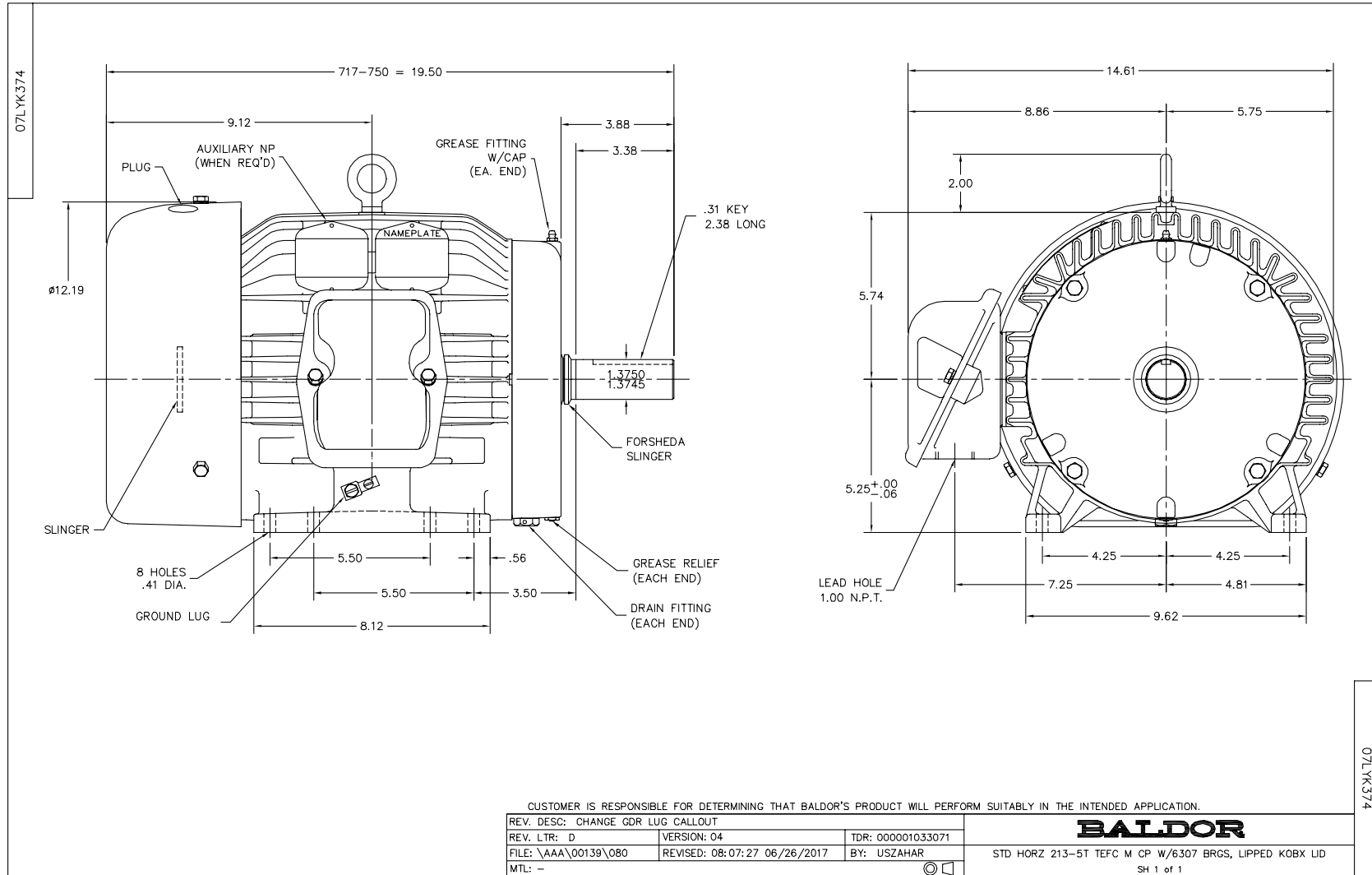
Nameplate Data				575 V, 60 Hz: Single Voltage Motor	
Rated Output (HP)	3 AIR OVER			Full Load Torque	13.5 LB-FT
Volts	575			Start Configuration	direct on line
Full Load Amps	3.6			Breakdown Torque	46.4 LB-FT
R.P.M.	1165			Pull-up Torque	30.38 LB-FT
Hz	60	Phase	3	Locked-rotor Torque	34.2 LB-FT
NEMA Design Code	B	KVA Code	K	Starting Current	25.41 A
Service Factor (S.F.)	1.15			No-load Current	1.88 A
NEMA Nom. Eff.	90.2	Power Factor	70	Line-line Res. @ 25°C	4.11 Ω
Rating - Duty	40C AMB-CONT			Temp. Rise @ Rated Load	31°C
S.F. Amps				Temp. Rise @ S.F. Load	37°C
				Locked-rotor Power Factor	22.8
				Rotor inertia	0.945 LB-FT ²

Load Characteristics 575 V, 60 Hz, 3 HP

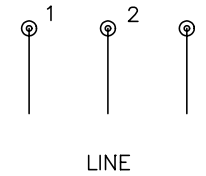
% of Rated Load	25	50	75	100	125	150	S.F.
Power Factor	33	51	62	69	73	75	71
Efficiency	83.2	88.7	90.7	90.2	89.4	87.6	89.8
Speed	1191	1184	1176	1168	1159	1147	1163
Line amperes	2.1	2.49	2.99	3.6	4.31	5.11	4.03

Performance Graph at 575V, 60Hz, 3.0HP Typical performance - Not guaranteed values





CD0006



NOTES:

1. THREE LEAD MOTOR MAY BE EITHER WYE CONNECTED OR DELTA CONNECTED.
2. INTERCHANGE ANY TWO LINE LEADS TO REVERSE ROTATION.
3. OPTIONAL THERMOSTATS ARE PROVIDED WHEN SPECIFIED.
4. ACTUAL NUMBER OF INTERNAL PARALLEL CIRCUITS MAY VARY.
5. LEAD COLORS ARE OPTIONAL. LEADS MUST BE NUMBERED AS SHOWN.

REV. DESC: REVISE TO SHOW OPTIONAL COLORS			
REV. LTR: D	BY: JLP	REVISED: 01/21/99 4:02	TDR: 0171435
9000D		FILE: AAA00005141	MDL: -
		MTL: -	

BALDOR ELECTRIC Co.

3PH, SV, 3 LEADS, WYE OR DELTA CONNECTED

CD0006