

BALDOR® • RELIANCE

Product Information Packet

VM7034

1.5//1HP, 1735//1440RPM, 3PH, 60//50HZ, 56C

Part Detail							
Revision:	L	Status:	INA/A	Change #:		Proprietary:	No
Type:	AC	Elec. Spec:	35WGP801	CD Diagram:	CD0005	Mfg Plant:	
Mech. Spec:	35E374	Layout:	35LYE374	Poles:	04	Created Date:	08-10-2010
Base:	N	Eff. Date:	03-08-2016	Leads:	9#18		

Specs			
Catalog Number:	VM7034	Front Shaft Indicator:	None
Enclosure:	TEFC	Heater Indicator:	No Heater
Frame:	56C	Insulation Class:	B
Frame Material:	Steel	Inverter Code:	Not Inverter
Output @ Frequency:	1.000 HP @ 50 HZ	KVA Code:	L
	1.500 HP @ 60 HZ	Lifting Lugs:	No Lifting Lugs
Synchronous Speed @ Frequency:	1800 RPM @ 60 HZ	Locked Bearing Indicator:	Locked Bearing
Voltage @ Frequency:	460.0 V @ 60 HZ	Motor Lead Quantity/Wire Size:	9 @ 18 AWG
	380.0 V @ 50 HZ	Motor Lead Exit:	Ko Box
	230.0 V @ 60 HZ	Motor Lead Termination:	Flying Leads
	208.0 V @ 60 HZ	Motor Type:	3520M
	190.0 V @ 50 HZ	Mounting Arrangement:	F1
XP Class and Group:	CLI GP D; CLII GP F,G	Power Factor:	74
XP Division:	Division I	Product Family:	Hazardous Location Motor
Agency Approvals:	CSA	Pulley End Bearing Type:	Ball
	UL	Pulley Face Code:	C-Face
Auxillary Box:	No Auxillary Box	Pulley Shaft Indicator:	Standard
Auxillary Box Lead Termination:	None	Rodent Screen:	None

Base Indicator:	N	RoHS Status:	ROHS COMPLIANT
Bearing Grease Type:	Polyrex EM (-20F +300F)	Shaft Extension Location:	Pulley End
Blower:	None	Shaft Ground Indicator:	No Shaft Grounding
Current @ Voltage:	5.000 A @ 208.0 V	Shaft Rotation:	Reversible
	4.600 A @ 230.0 V	Shaft Slinger Indicator:	No Slinger
	4.200 A @ 190.0 V	Speed Code:	Single Speed
	2.300 A @ 460.0 V	Motor Standards:	NEMA
	2.100 A @ 380.0 V	Starting Method:	Direct on line
Design Code:	B	Thermal Device - Bearing:	None
Drip Cover:	No Drip Cover	Thermal Device - Winding:	Normally Closed Thermostat
Duty Rating:	CONT	Vibration Sensor Indicator:	No Vibration Sensor
Electrically Isolated Bearing:	Not Electrically Isolated	Winding Thermal 1:	None
Feedback Device:	NO FEEDBACK	Winding Thermal 2:	None
Front Face Code:	Standard	XP Temp Code:	T3C

Nameplate NP1426XPSL	
NO.	<input type="text"/>
SER.	<input type="text"/>
SPEC.	35E374P801G1
CAT.NO.	VM7034
HP	1.5//1
VOLTS	208-230/460//190/380
AMPS	5-4.6/2.3//4.2/2.1
RPM	1735//1440
HZ	60//50
SER.F.	1.00
RATING	40C AMB-CONT
FRAME	56C
USABLE AT 208V	<input type="text"/>
BLANK	<input type="text"/>

CC	<input type="text"/>
T. CODE	T3C
PH	3
CL	B
DES	B
CODE	L
NEMA-NOM-EFF	81.5
PF	74

AC Induction Motor Performance Data

Record # 36562 - Typical performance - not guaranteed values

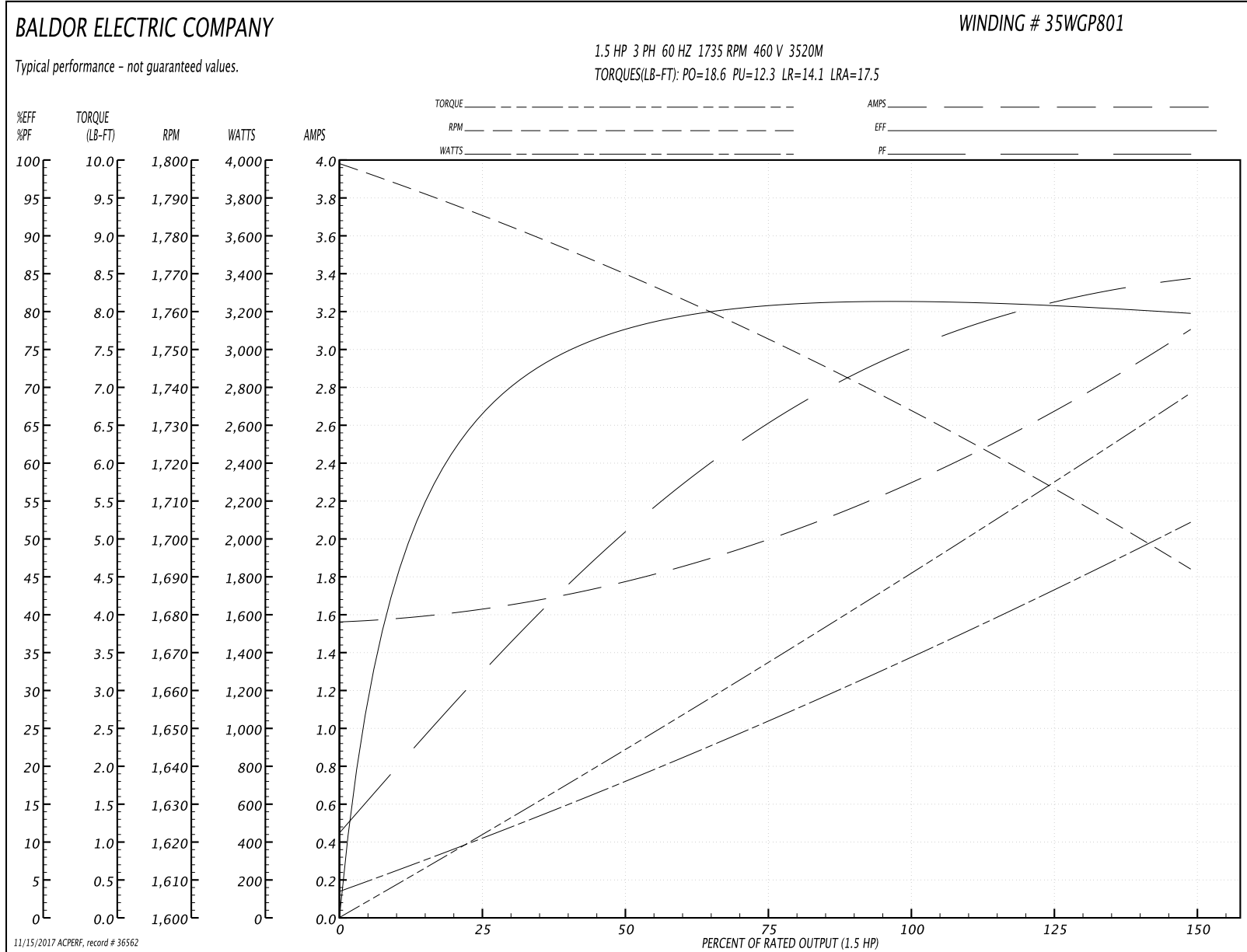
Winding: 35WGP801-R007	Type: 3520M	Enclosure: XPFC
-------------------------------	--------------------	------------------------

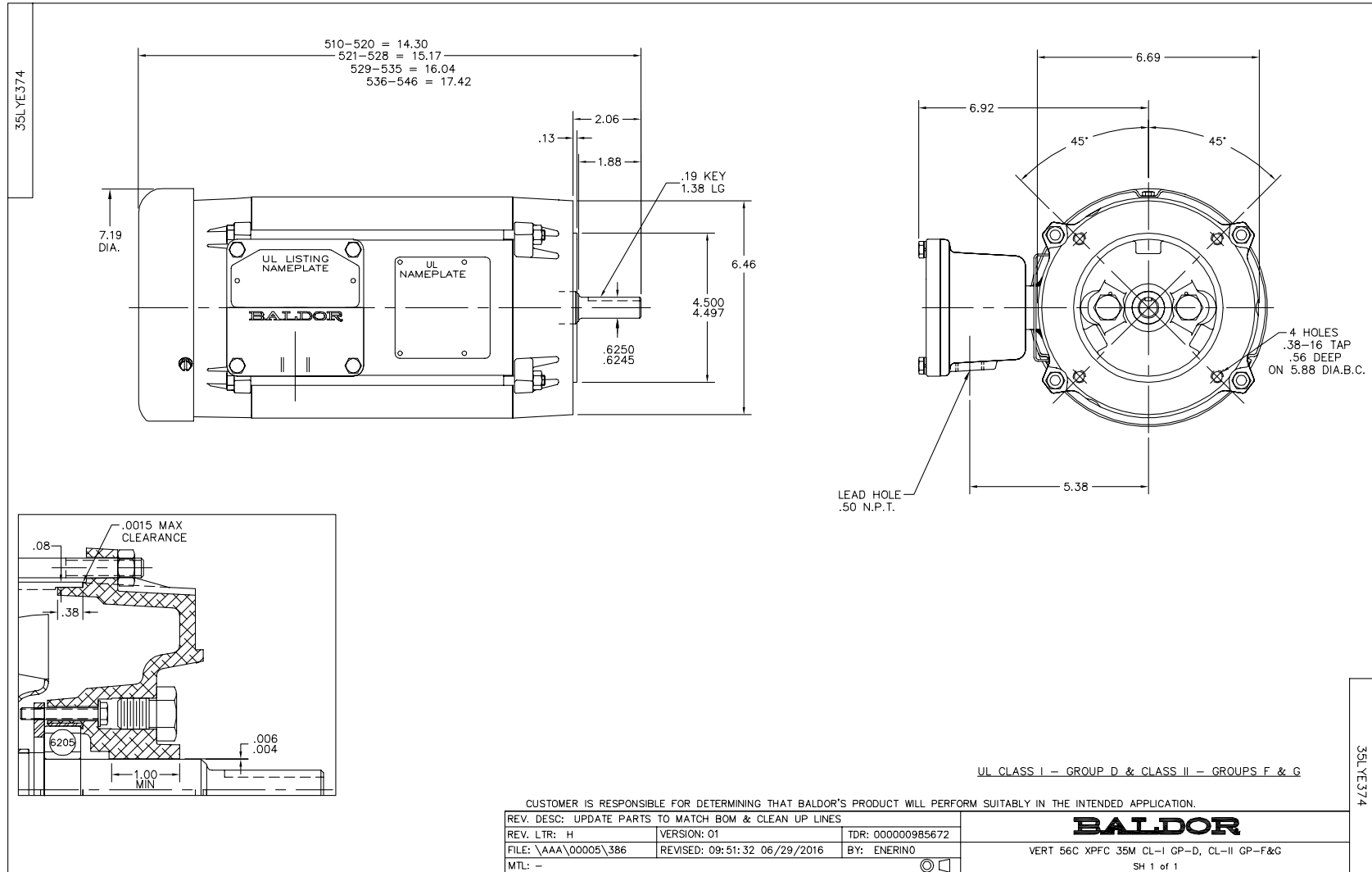
Nameplate Data				460 V, 60 Hz: High Voltage Connection	
Rated Output (HP)	1.5//1			Full Load Torque	4.5 LB-FT
Volts	208-230/460//190/380			Start Configuration	direct on line
Full Load Amps	5-4.6/2.3//4.2/2.1			Breakdown Torque	18.6 LB-FT
R.P.M.	1735//1440			Pull-up Torque	12.3 LB-FT
Hz	60//50	Phase	3	Locked-rotor Torque	14.1 LB-FT
NEMA Design Code	B	KVA Code	L	Starting Current	17.5 A
Service Factor (S.F.)	1			No-load Current	1.57 A
NEMA Nom. Eff.	81.5	Power Factor	74	Line-line Res. @ 25°C	12.9 Ω
Rating - Duty	40C AMB-CONT			Temp. Rise @ Rated Load	71°C
S.F. Amps				Temp. Rise @ S.F. Load	81°C
				Locked-rotor Power Factor	70
				Rotor inertia	0.118 LB-FT ²

Load Characteristics 460 V, 60 Hz, 1.5 HP

% of Rated Load	25	50	75	100	125	150
Power Factor	32	51	65	74	81	85
Efficiency	65.9	77	80.9	81.5	81	79.7
Speed	1786	1770	1753	1735	1714	1692
Line amperes	1.62	1.76	1.99	2.3	2.66	3.1

Performance Graph at 460V, 60Hz, 1.5HP Typical performance - Not guaranteed values

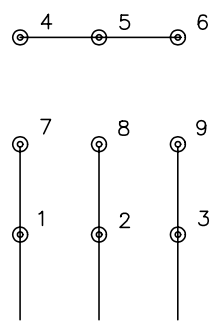




CD0005

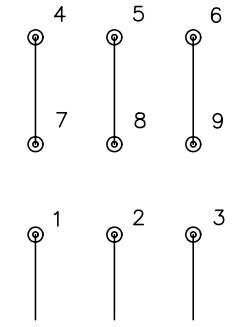


LOW VOLTAGE
(2Y)



LINE

HIGH VOLTAGE
(1Y)



LINE

NOTES:

1. INTERCHANGE ANY TWO LINE LEADS TO REVERSE ROTATION.
2. OPTIONAL THERMOSTATS ARE PROVIDED WHEN SPECIFIED.
3. ACTUAL NUMBER OF INTERNAL PARALLEL CIRCUITS MAY BE A MULTIPLE OF THOSE SHOWN ABOVE.
4. LEAD COLORS ARE OPTIONAL. LEADS MUST ALWAYS BE NUMBERED AS SHOWN.

REV. DESC: REVISE TO SHOW OPTIONAL COLORS			
REV. LTR: E	BY: JLP	REVISED: 01/19/99 10:15	TDR: 0171435
9000D		FILE: AAA00005140	MDL: -
		MTL: -	

BALDOR ELECTRIC Co.

3PH, DV, 9 LEADS

CD0005