

BALDOR® • **RELIANCE**

Product Information Packet

YPC164A

.25HP,1075RPM,1PH,60HZ,48YZ,3411C,TEAO,F

Part Detail							
Revision:	E	Status:	PRD/A	Change #:		Proprietary:	No
Type:	AC	Elec. Spec:	34WGR231	CD Diagram:	CD0798	Mfg Plant:	
Mech. Spec:	34M195	Layout:	34LYM195	Poles:	06	Created Date:	10-14-2014
Base:	YP	Eff. Date:	11-03-2017	Leads:	5#18		

Specs			
Catalog Number:	YPC164A	Inverter Code:	Not Inverter
Enclosure:	TEAO	KVA Code:	-
Frame:	48YZ	Lifting Lugs:	No Lifting Lugs
Frame Material:	Steel	Locked Bearing Indicator:	No Locked Bearing
Output @ Frequency:	.250 HP @ 60 HZ	Motor Lead Quantity/Wire Size:	5 @ 18 AWG
Synchronous Speed @ Frequency:	1200 RPM @ 60 HZ	Motor Lead Exit:	Terminal Panel Or Lead Hole
Voltage @ Frequency:	115.0 V @ 60 HZ	Motor Lead Termination:	None
XP Class and Group:	None	Motor Type:	3411C
XP Division:	Not Applicable	Mounting Arrangement:	F1
Agency Approvals:	UR	Product Family:	General Purpose
	CSA	Pulley End Bearing Type:	Ball
Auxillary Box:	No Auxillary Box	Pulley Face Code:	Standard
Auxillary Box Lead Termination:	None	Pulley Shaft Indicator:	Standard
Base Indicator:	Yoke Pedestal	Rodent Screen:	None
Bearing Grease Type:	Polyrex EM (-20F +300F)	RoHS Status:	ROHS COMPLIANT
Blower:	None	Shaft Extension Location:	Pulley End
Current @ Voltage:	2.800 A @ 115.0 V	Shaft Ground Indicator:	No Shaft Grounding
Design Code:	-	Shaft Rotation:	Reversible: Connected Standard

Drip Cover:	No Drip Cover	Shaft Slinger Indicator:	Shaft Slinger
Duty Rating:	CONT	Speed Code:	Single Speed
Electrically Isolated Bearing:	Not Electrically Isolated	Motor Standards:	NEMA
Feedback Device:	NO FEEDBACK	Starting Method:	Direct on line
Front Face Code:	Terminal Panel	Thermal Device - Bearing:	None
Front Shaft Indicator:	None	Thermal Device - Winding:	None
Heater Indicator:	No Heater	Vibration Sensor Indicator:	No Vibration Sensor
Insulation Class:	B	Winding Thermal 1:	Automatic Thermal Overload
		Winding Thermal 1 Location:	WG

Nameplate NP1257L	
CAT.NO.	YPC164A
SPEC.	34M195R231G1
HP	.25
VOLTS	115
AMP	2.8
RPM	1075
FRAME	48YZ
SER.F.	1.00
NEMA-NOM-EFF	
RATING	40C AMB-CONT
CC	
DE	6203
ENCL	TEAO

CODE	-	DES	-	CL	B	PH	1
PF		ODE	6203	USABLE AT 208V		SN	

AC Induction Motor Performance Data

Record # 51609 - Typical performance - not guaranteed values

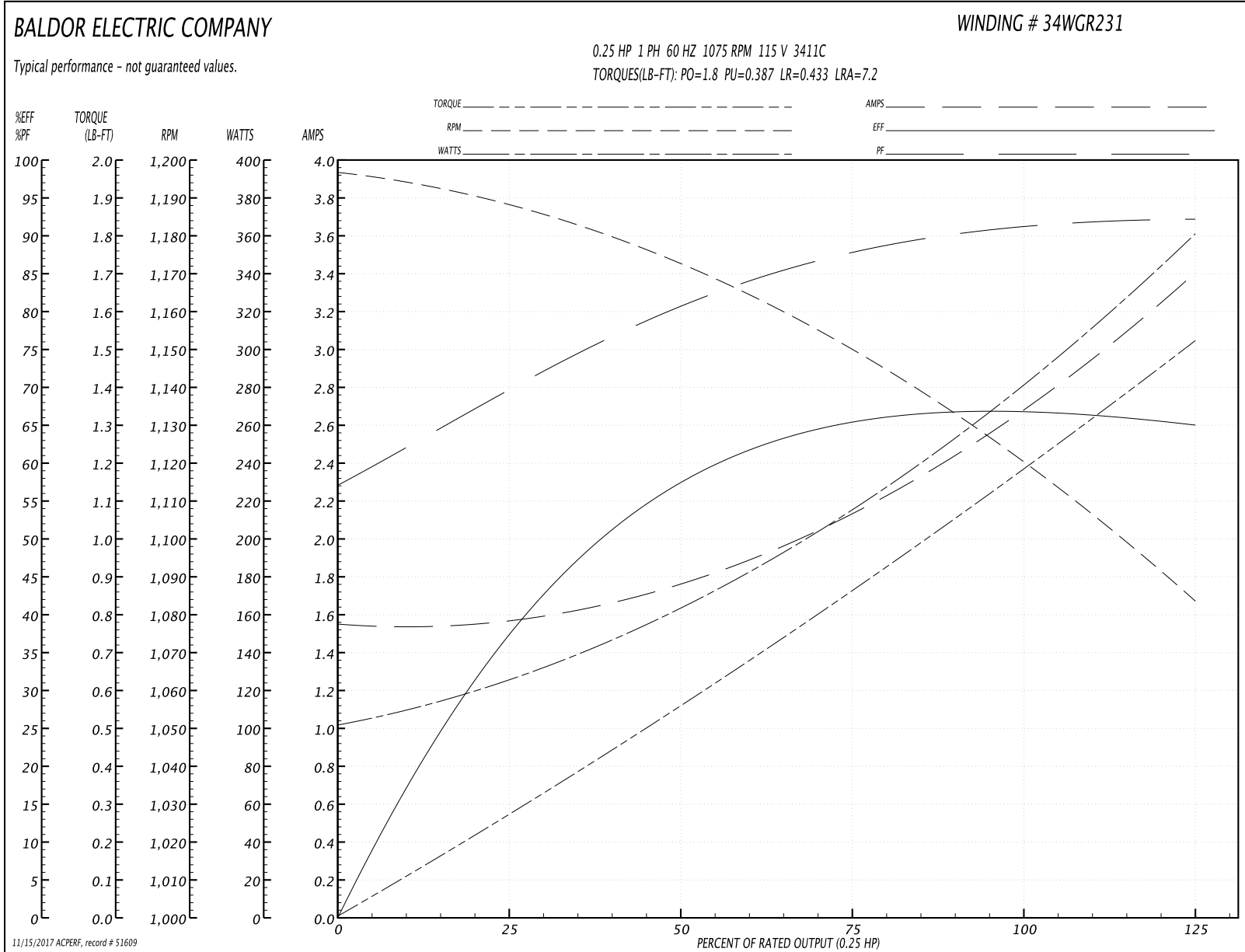
Winding: 34WGR231-R001	Type: 3411C	Enclosure: TEAO
-------------------------------	--------------------	------------------------

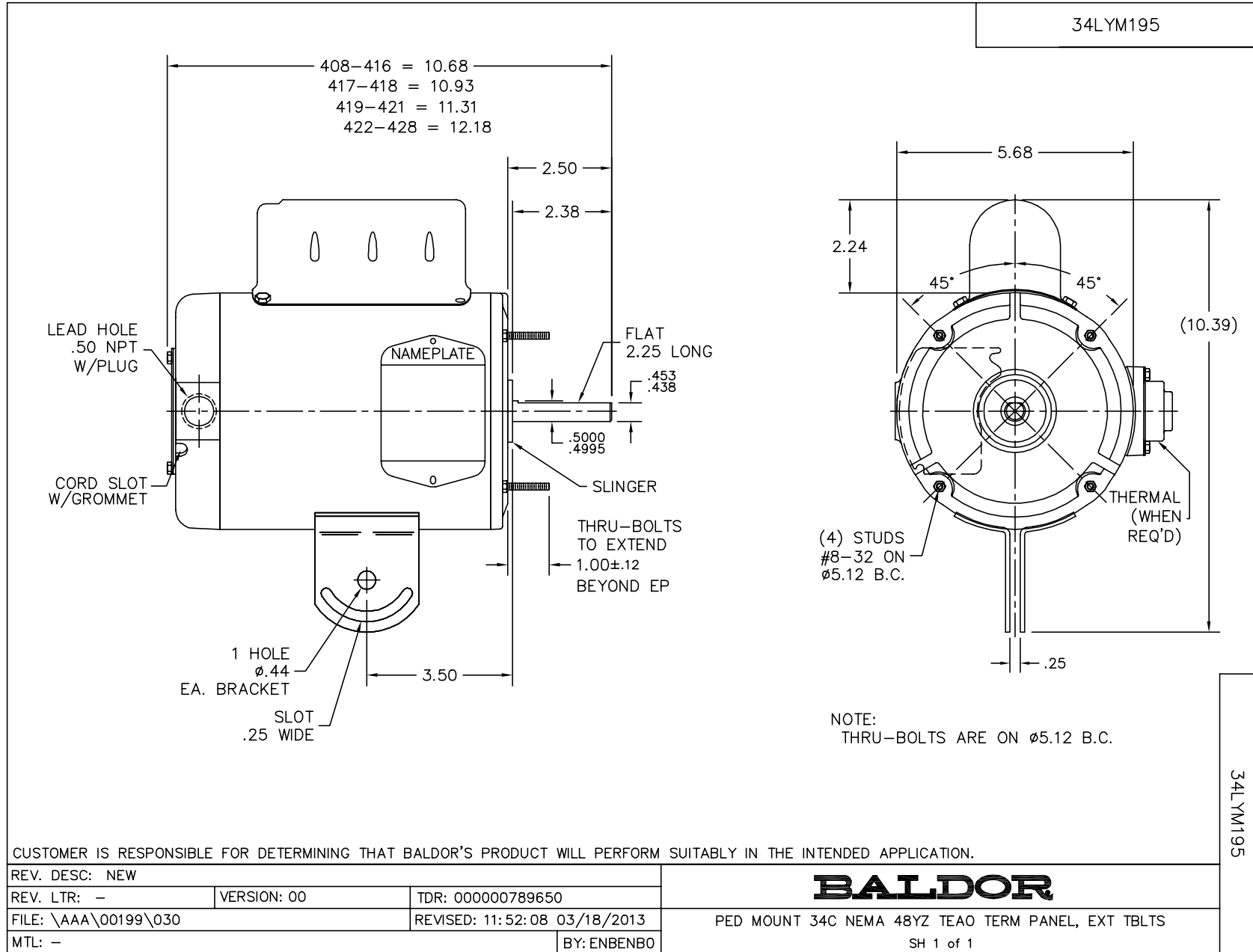
Nameplate Data				115 V, 60 Hz: Single Voltage Motor	
Rated Output (HP)	.25			Full Load Torque	1.22 LB-FT
Volts	115			Start Configuration	direct on line
Full Load Amps	2.8			Breakdown Torque	1.8 LB-FT
R.P.M.	1075			Pull-up Torque	0.387 LB-FT
Hz	60	Phase	1	Locked-rotor Torque	0.433 LB-FT
NEMA Design Code	-	KVA Code	-	Starting Current	7.2 A
Service Factor (S.F.)	1			No-load Current	1.54 A
NEMA Nom. Eff.	0	Power Factor	0	Line-line Res. @ 25°C	5.6688 Ω A Ph 10.891 Ω B Ph
Rating - Duty	40C AMB-CONT			Temp. Rise @ Rated Load	

Load Characteristics 115 V, 60 Hz, 0.25 HP

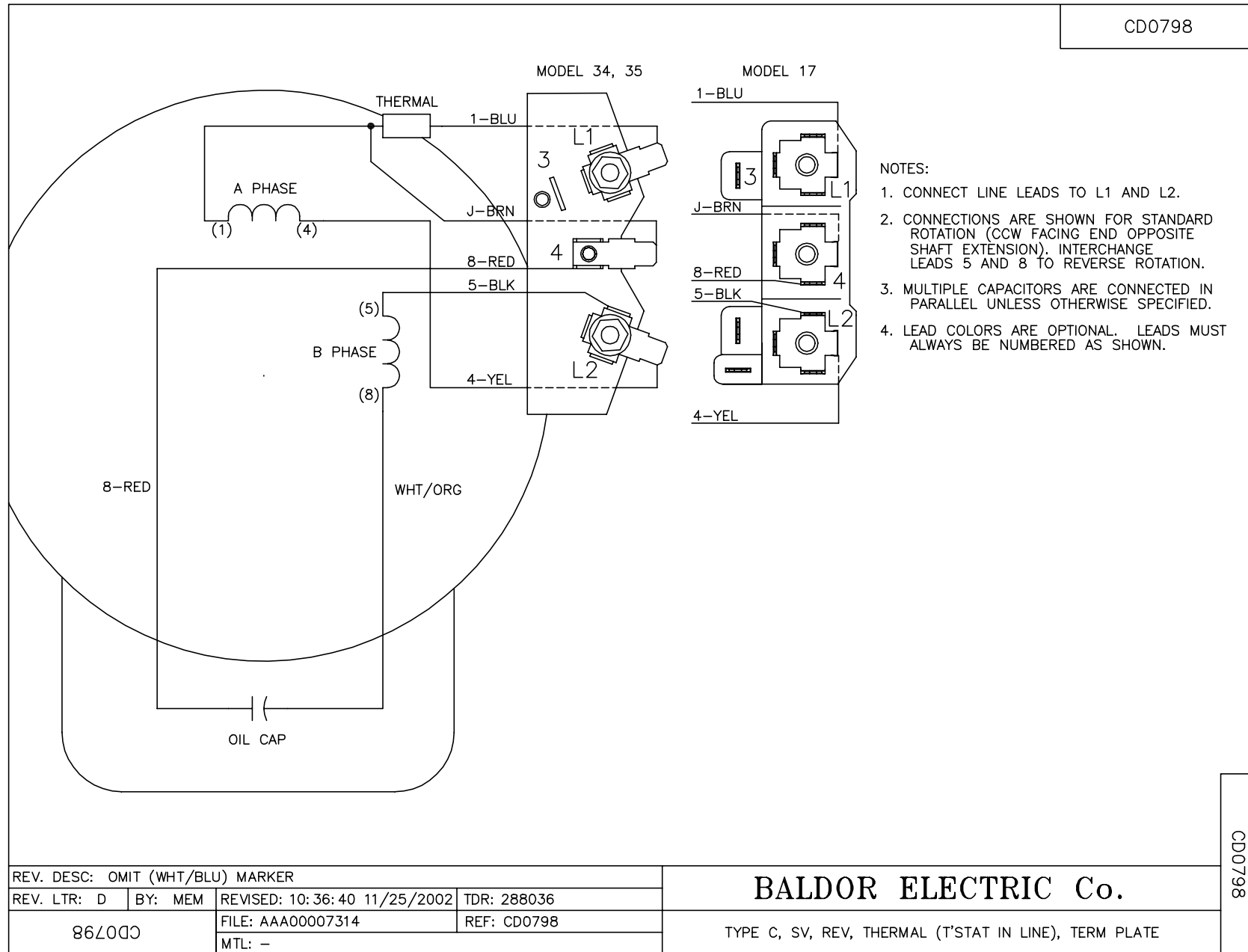
% of Rated Load	25	50	75	100	125
Power Factor	72	83	89	92	92
Efficiency	40	58	66.4	67.9	64.1
Speed	1183.5	1167.5	1147.5	1119.9	1080.5
Line amperes	1.59	1.83	2.21	2.73	3.43

Performance Graph at 115V, 60Hz, 0.25HP Typical performance - Not guaranteed values





CD0798



CD0798

REV. DESC: OMIT (WHT/BLU) MARKER			
REV. LTR: D	BY: MEM	REVISED: 10:36:40 11/25/2002	TDR: 288036
86Z000		FILE: AAA00007314	REF: CD0798
		MTL: -	

BALDOR ELECTRIC Co.

TYPE C, SV, REV, THERMAL (T'STAT IN LINE), TERM PLATE