

BALDOR® • **RELIANCE**

Product Information Packet

EM4109T-5

40HP,3530RPM,3PH,60HZ,324TS,1240M,TEFC,F

Part Detail							
Revision:	L	Status:	PRD/A	Change #:		Proprietary:	No
Type:	AC	Elec. Spec:	12WGY367	CD Diagram:	CD0006	Mfg Plant:	
Mech. Spec:	12H49	Layout:	12LYH049	Poles:	02	Created Date:	05-14-2012
Base:	RG	Eff. Date:	09-07-2017	Leads:	3#8		

Specs			
Catalog Number:	EM4109T-5	Inverter Code:	Not Inverter
Enclosure:	TEFC	KVA Code:	G
Frame:	324TS	Lifting Lugs:	Standard Lifting Lugs
Frame Material:	Iron	Locked Bearing Indicator:	Locked Bearing
Output @ Frequency:	40.000 HP @ 60 HZ	Motor Lead Quantity/Wire Size:	3 @ 8 AWG
Synchronous Speed @ Frequency:	3600 RPM @ 60 HZ	Motor Lead Exit:	Ko Box
Voltage @ Frequency:	575.0 V @ 60 HZ	Motor Lead Termination:	Flying Leads
XP Class and Group:	None	Motor Type:	1240M
XP Division:	Not Applicable	Mounting Arrangement:	F1
Agency Approvals:	CSA	Power Factor:	88
	CSA EEV	Product Family:	General Purpose
	UR	Pulley End Bearing Type:	Ball
Auxillary Box:	No Auxillary Box	Pulley Face Code:	Standard
Auxillary Box Lead Termination:	None	Pulley Shaft Indicator:	Standard
Base Indicator:	Rigid	Rodent Screen:	None
Bearing Grease Type:	Polyrex EM (-20F +300F)	Shaft Extension Location:	Pulley End
Blower:	None	Shaft Ground Indicator:	No Shaft Grounding
Current @ Voltage:	37.000 A @ 575.0 V	Shaft Rotation:	Reversible

Design Code:	A	Shaft Slinger Indicator:	Shaft Slinger
Drip Cover:	No Drip Cover	Speed Code:	Single Speed
Duty Rating:	CONT	Motor Standards:	NEMA
Electrically Isolated Bearing:	Not Electrically Isolated	Starting Method:	Direct on line
Feedback Device:	NO FEEDBACK	Thermal Device - Bearing:	None
Front Face Code:	Standard	Thermal Device - Winding:	None
Front Shaft Indicator:	None	Vibration Sensor Indicator:	No Vibration Sensor
Heater Indicator:	No Heater	Winding Thermal 1:	None
Insulation Class:	F	Winding Thermal 2:	None

Nameplate NP3443L											
CAT.NO.	EM4109T-5			CUST. P/N				ENCL	TEFC		
SPEC.	12H049Y367		CC	010A		FRAME	324TS		SER.NO.		
HP	40		CLASS	F		HZ	60				
R.P.M.	3530		PH	3		DES	A				
VOLTS	575		CODE	G		ODE BRG	6311		DE BRG	6312	
AMPS	37		USABLE AT 208V								
RATING	40C AMB-CONT		NEMA NOM. EFF.	92.4		GREASE	POLYREX EM				
P.F.	88		SER.F.	1.15		VPWM INVERTER READY					
HTR-VOLTS			HTR-AMPS			HTR-WATTS					

AC Induction Motor Performance Data

Record # 32547 - Typical performance - not guaranteed values

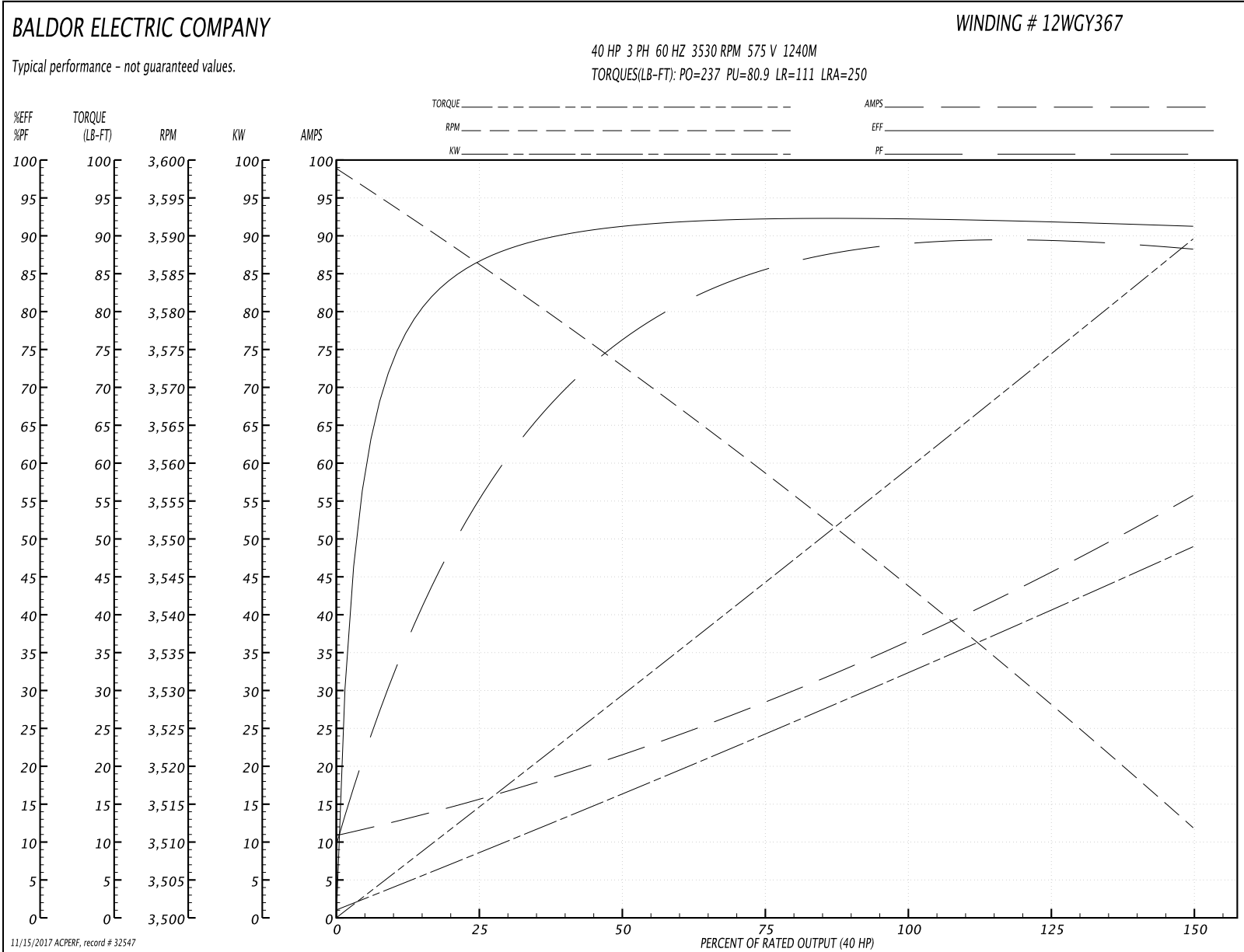
Winding: 12WGY367-R001	Type: 1240M	Enclosure: TEFC
-------------------------------	--------------------	------------------------

Nameplate Data				575 V, 60 Hz: Single Voltage Motor	
Rated Output (HP)	40			Full Load Torque	59.2 LB-FT
Volts	575			Start Configuration	direct on line
Full Load Amps	37			Breakdown Torque	237 LB-FT
R.P.M.	3530			Pull-up Torque	80.9 LB-FT
Hz	60	Phase	3	Locked-rotor Torque	111 LB-FT
NEMA Design Code	A	KVA Code	G	Starting Current	250 A
Service Factor (S.F.)	1.15			No-load Current	11.5 A
NEMA Nom. Eff.	92.4	Power Factor	88	Line-line Res. @ 25°C	0.224 Ω
Rating - Duty	40C AMB-CONT			Temp. Rise @ Rated Load	65°C
S.F. Amps				Temp. Rise @ S.F. Load	78°C
				Locked-rotor Power Factor	21.7
				Rotor inertia	3.13 LB-FT ²

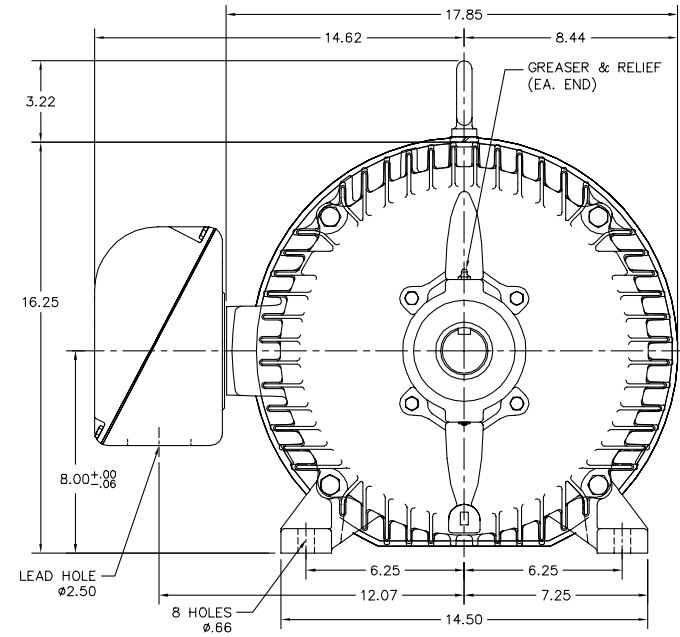
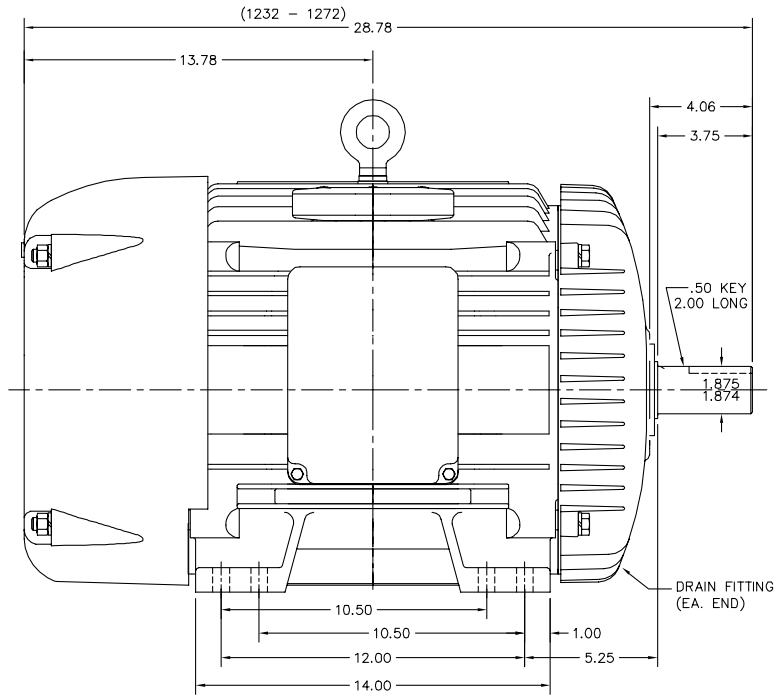
Load Characteristics 575 V, 60 Hz, 40 HP

% of Rated Load	25	50	75	100	125	150	S.F.
Power Factor	59	78	85	88	89	89	89
Efficiency	85.3	91.1	92.1	92.6	91.9	91.2	92.2
Speed	3586	3573	3559	3544	3528	3512	3534
Line amperes	14.8	21.1	28.6	36.9	45.9	55.3	42.3

Performance Graph at 575V, 60Hz, 40.0HP Typical performance - Not guaranteed values



12LYH049



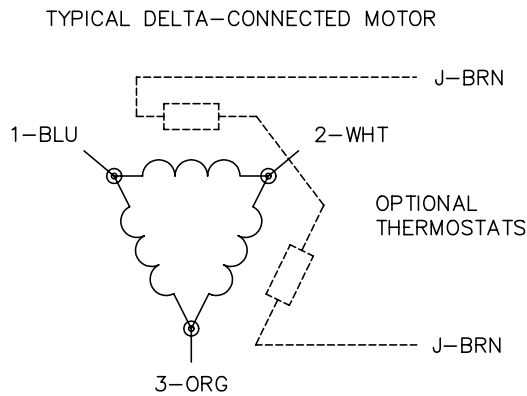
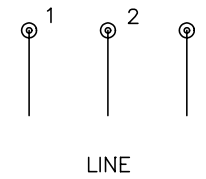
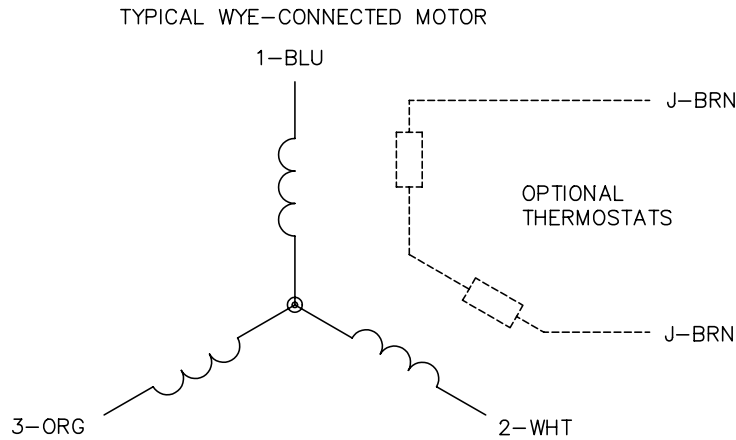
12LYH049

CUSTOMER IS RESPONSIBLE FOR DETERMINING THAT BALDOR'S PRODUCT WILL PERFORM SUITABLY IN THE INTENDED APPLICATION.

REV. DESC: REMOVE LOCKNUT	VERSION: 05	TDR: 000000954270
REV. LTR: H	REVISED: 01:37:43 11/19/2015	BY: ENMARSO
FILE: \AAA\00011\097		
MTL: -		

BALDOR
 HORZ TEFC 324-6TS; HI-EFF
 SH 1 of 1

CD0006



NOTES:

1. THREE LEAD MOTOR MAY BE EITHER WYE CONNECTED OR DELTA CONNECTED.
2. INTERCHANGE ANY TWO LINE LEADS TO REVERSE ROTATION.
3. OPTIONAL THERMOSTATS ARE PROVIDED WHEN SPECIFIED.
4. ACTUAL NUMBER OF INTERNAL PARALLEL CIRCUITS MAY VARY.
5. LEAD COLORS ARE OPTIONAL. LEADS MUST BE NUMBERED AS SHOWN.

REV. DESC: REVISE TO SHOW OPTIONAL COLORS			
REV. LTR: D	BY: JLP	REVISED: 01/21/99 4:02	TDR: 0171435
9000D		FILE: AAA00005141	MDL: -
		MTL: -	

BALDOR ELECTRIC Co.

3PH, SV, 3 LEADS, WYE OR DELTA CONNECTED

CD0006