

# **BALDOR**® • ***RELIANCE***

## **Product Information Packet**

# **EHM2333T**

**15HP,1765RPM,3PH,60HZ,254T,0944M,TEFC,F1**

| Part Detail |        |             |            |             |        |               |            |
|-------------|--------|-------------|------------|-------------|--------|---------------|------------|
| Revision:   | N      | Status:     | PRD/A      | Change #:   |        | Proprietary:  | No         |
| Type:       | AC     | Elec. Spec: | 09WGZ910   | CD Diagram: | CD0005 | Mfg Plant:    |            |
| Mech. Spec: | 09J970 | Layout:     | 09LYJ970   | Poles:      | 04     | Created Date: | 11-09-2012 |
| Base:       | RG     | Eff. Date:  | 09-01-2017 | Leads:      | 9#12   |               |            |

| Specs                           |                         |                                |                       |
|---------------------------------|-------------------------|--------------------------------|-----------------------|
| Catalog Number:                 | EHM2333T                | Heater Indicator:              | No Heater             |
| Enclosure:                      | TEFC                    | Insulation Class:              | F                     |
| Frame:                          | 254T                    | Inverter Code:                 | Inverter Ready        |
| Frame Material:                 | Iron                    | KVA Code:                      | H                     |
| Output @ Frequency:             | 15.000 HP @ 60 HZ       | Lifting Lugs:                  | Standard Lifting Lugs |
| Synchronous Speed @ Frequency:  | 1800 RPM @ 60 HZ        | Locked Bearing Indicator:      | Locked Bearing        |
| Voltage @ Frequency:            | 460.0 V @ 60 HZ         | Motor Lead Quantity/Wire Size: | 9 @ 12 AWG            |
|                                 | 230.0 V @ 60 HZ         | Motor Lead Exit:               | Ko Box                |
| XP Class and Group:             | None                    | Motor Lead Termination:        | Flying Leads          |
| XP Division:                    | Not Applicable          | Motor Type:                    | 0944M                 |
| Agency Approvals:               | UR                      | Mounting Arrangement:          | F1                    |
|                                 | CSA EEV                 | Power Factor:                  | 83                    |
|                                 | CSA                     | Product Family:                | General Purpose       |
| Auxillary Box:                  | No Auxillary Box        | Pulley End Bearing Type:       | Ball                  |
| Auxillary Box Lead Termination: | None                    | Pulley Face Code:              | Standard              |
| Base Indicator:                 | Rigid                   | Pulley Shaft Indicator:        | Standard              |
| Bearing Grease Type:            | Polyrex EM (-20F +300F) | Rodent Screen:                 | None                  |
| Blower:                         | None                    | Shaft Extension Location:      | Pulley End            |

|                                       |                           |                                    |                          |
|---------------------------------------|---------------------------|------------------------------------|--------------------------|
| <b>Current @ Voltage:</b>             | 18.100 A @ 460.0 V        | <b>Shaft Ground Indicator:</b>     | Mounting Provisions Only |
|                                       | 36.200 A @ 230.0 V        | <b>Shaft Rotation:</b>             | Reversible               |
|                                       | 38.000 A @ 208.0 V        | <b>Shaft Slinger Indicator:</b>    | No Slinger               |
| <b>Design Code:</b>                   | A                         | <b>Speed Code:</b>                 | Single Speed             |
| <b>Drip Cover:</b>                    | No Drip Cover             | <b>Motor Standards:</b>            | NEMA                     |
| <b>Duty Rating:</b>                   | CONT                      | <b>Starting Method:</b>            | Direct on line           |
| <b>Electrically Isolated Bearing:</b> | Not Electrically Isolated | <b>Thermal Device - Bearing:</b>   | None                     |
| <b>Feedback Device:</b>               | NO FEEDBACK               | <b>Thermal Device - Winding:</b>   | None                     |
| <b>Front Face Code:</b>               | Standard                  | <b>Vibration Sensor Indicator:</b> | No Vibration Sensor      |
| <b>Front Shaft Indicator:</b>         | None                      | <b>Winding Thermal 1:</b>          | None                     |
|                                       |                           | <b>Winding Thermal 2:</b>          | None                     |

| Nameplate NP1259L |              |  |  |  |  |      |      |                |    |    |   |
|-------------------|--------------|--|--|--|--|------|------|----------------|----|----|---|
| CAT.NO.           | EHM2333T     |  |  |  |  |      |      |                |    |    |   |
| SPEC.             | 09J970Z910G1 |  |  |  |  |      |      |                |    |    |   |
| HP                | 15           |  |  |  |  |      |      |                |    |    |   |
| VOLTS             | 230/460      |  |  |  |  |      |      |                |    |    |   |
| AMP               | 36.2/18.1    |  |  |  |  |      |      |                |    |    |   |
| RPM               | 1765         |  |  |  |  |      |      |                |    |    |   |
| FRAME             | 254T         |  |  |  |  | HZ   | 60   |                | PH | 3  |   |
| SER.F.            | 1.15         |  |  |  |  | CODE | H    | DES            | A  | CL | F |
| NEMA-NOM-EFF      | 92.4         |  |  |  |  | PF   | 83   |                |    |    |   |
| RATING            | 40C AMB-CONT |  |  |  |  |      |      |                |    |    |   |
| CC                | 010A         |  |  |  |  |      |      | USABLE AT 208V | 38 |    |   |
| DE                | 6309         |  |  |  |  | ODE  | 6208 |                |    |    |   |
| ENCL              | TEFC         |  |  |  |  | SN   |      |                |    |    |   |
|                   |              |  |  |  |  |      |      |                |    |    |   |

**AC Induction Motor Performance Data**

Record # 40347 - Typical performance - not guaranteed values

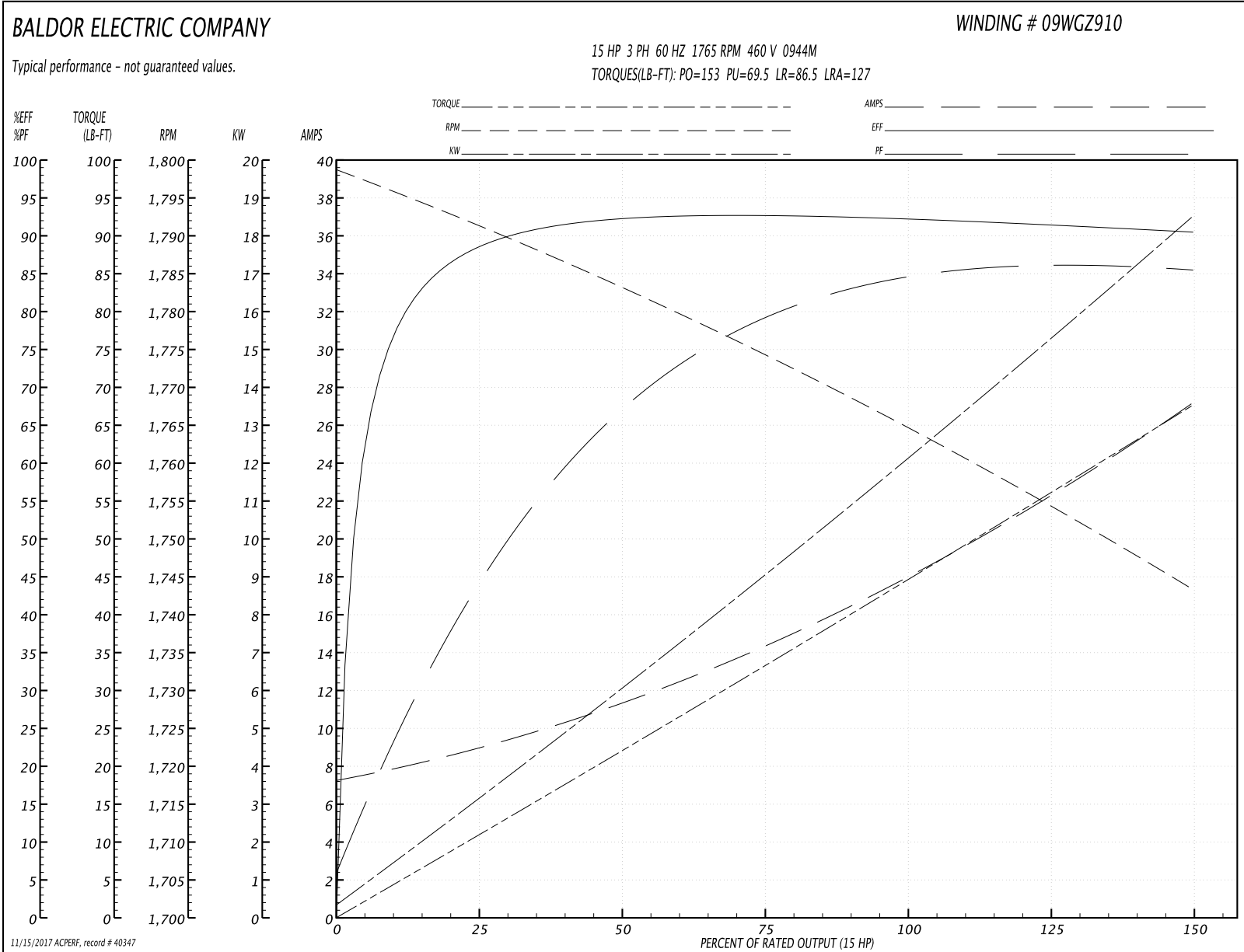
|                               |                    |                        |
|-------------------------------|--------------------|------------------------|
| <b>Winding:</b> 09WGZ910-R001 | <b>Type:</b> 0944M | <b>Enclosure:</b> TEFC |
|-------------------------------|--------------------|------------------------|

| Nameplate Data        |              |              |    | 460 V, 60 Hz:<br>High Voltage Connection |                         |
|-----------------------|--------------|--------------|----|--|-------------------------|
| Rated Output (HP)     | 15           |              |    | Full Load Torque                         | 44.5 LB-FT              |
| Volts                 | 230/460      |              |    | Start Configuration                      | direct on line          |
| Full Load Amps        | 36.2/18.1    |              |    | Breakdown Torque                         | 153 LB-FT               |
| R.P.M.                | 1765         |              |    | Pull-up Torque                           | 69.5 LB-FT              |
| Hz                    | 60           | Phase        | 3  | Locked-rotor Torque                      | 86.5 LB-FT              |
| NEMA Design Code      | A            | KVA Code     | H  | Starting Current                         | 127 A                   |
| Service Factor (S.F.) | 1.15         |              |    | No-load Current                          | 7.56 A                  |
| NEMA Nom. Eff.        | 92.4         | Power Factor | 83 | Line-line Res. @ 25°C                    | 0.59555 Ω               |
| Rating - Duty         | 40C AMB-CONT |              |    | Temp. Rise @ Rated Load                  | 54°C                    |
| S.F. Amps             |              |              |    | Temp. Rise @ S.F. Load                   | 67°C                    |
|                       |              |              |    | Locked-rotor Power Factor                | 33.1                    |
|                       |              |              |    | Rotor inertia                            | 1.92 LB-FT <sup>2</sup> |

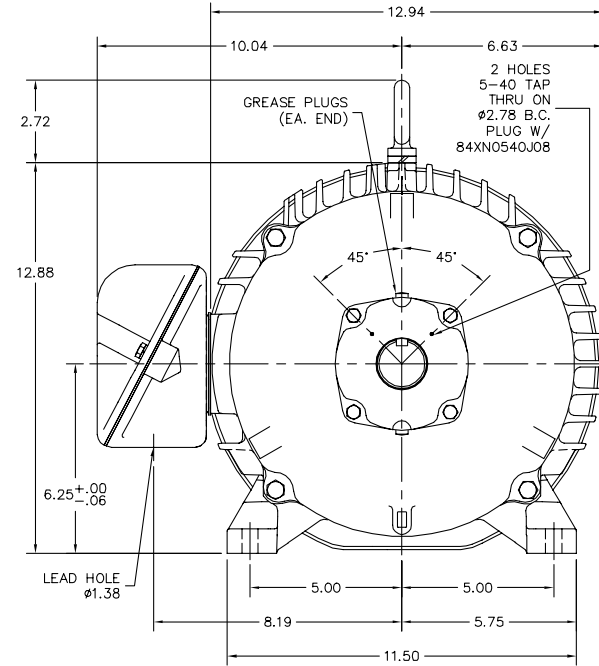
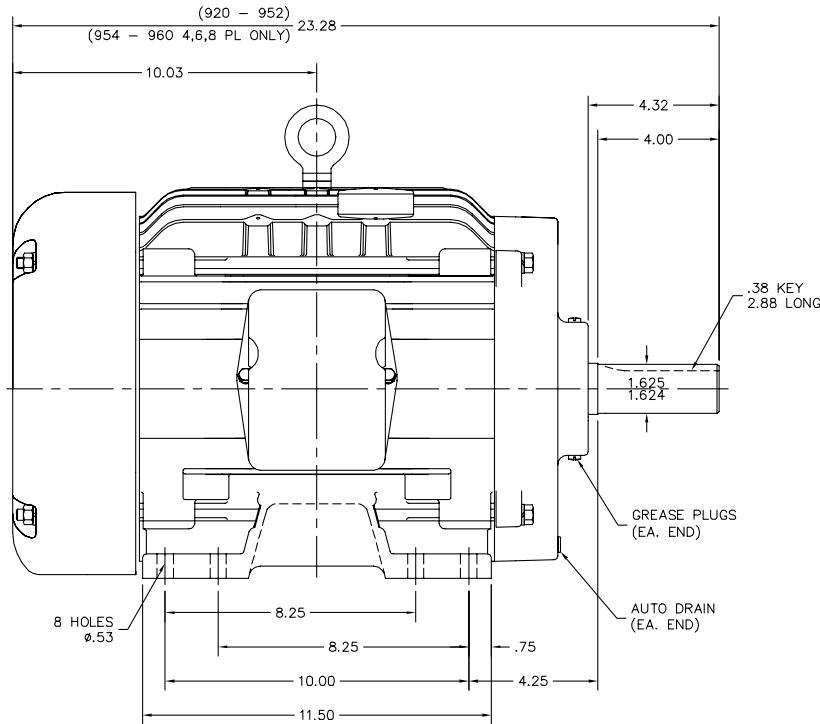
Load Characteristics 460 V, 60 Hz, 15 HP

| % of Rated Load | 25     | 50     | 75   | 100    | 125    | 150    | S.F. |
|-----------------|--------|--------|------|--------|--------|--------|------|
| Power Factor    | 45     | 69     | 79   | 83     | 85     | 87     | 84   |
| Efficiency      | 88.2   | 92.2   | 92.7 | 92.4   | 91.5   | 90.4   | 91.9 |
| Speed           | 1791.3 | 1783.1 | 1774 | 1765.2 | 1754.6 | 1743.1 | 1759 |
| Line amperes    | 8.62   | 11     | 14.5 | 18.1   | 22.6   | 26.9   | 20.8 |

Performance Graph at 460V, 60Hz, 15.0HP Typical performance - Not guaranteed values



09LYJ970



09LYJ970

CUSTOMER IS RESPONSIBLE FOR DETERMINING THAT BALDOR'S PRODUCT WILL PERFORM SUITABLY IN THE INTENDED APPLICATION.

|                           |                              |                   |
|---------------------------|------------------------------|-------------------|
| REV. DESC: REMOVE LOCKNUT | VERSION: 04                  | TDR: 000000952626 |
| REV. LTR: D               | REVISED: 04:01:34 11/09/2015 | BY: ENMARSO       |
| FILE: \AAA\00187\565      |                              |                   |
| MTL: -                    |                              |                   |

**BALDOR**

HORZ TEFC 254-6T W/ 1/2 RING SH GND MTG  
SH 1 of 1

CD0005



LOW VOLTAGE  
(2Y)



LINE

HIGH VOLTAGE  
(1Y)



LINE

NOTES:

1. INTERCHANGE ANY TWO LINE LEADS TO REVERSE ROTATION.
2. OPTIONAL THERMOSTATS ARE PROVIDED WHEN SPECIFIED.
3. ACTUAL NUMBER OF INTERNAL PARALLEL CIRCUITS MAY BE A MULTIPLE OF THOSE SHOWN ABOVE.
4. LEAD COLORS ARE OPTIONAL. LEADS MUST ALWAYS BE NUMBERED AS SHOWN.

|   |         |                         |              |
|---|---------|-------------------------|--------------|
| REV. DESC: REVISE TO SHOW OPTIONAL COLORS |         |                         |              |
| REV. LTR: E                               | BY: JLP | REVISED: 01/19/99 10:15 | TDR: 0171435 |
| 90000                                     |         | FILE: AAA00005140       | MDL: -       |
|   |         | MTL: -                  |              |

**BALDOR ELECTRIC Co.**

3PH, DV, 9 LEADS

CD0005