

# WALL FAN HEATER

ALUMINUM - WFA SERIES



## WHEN DURABILITY AND PERFORMANCE MEET DESIGN

In need of a solid, stylish heater to warm your clients in the lobby or entrance of your business? The ALUX™ series wall fan heater (WFA) with its remarkable rush of warm air is the solution. It has an aluminum extrusion grille that is striking, modern and unbelievably resistant. Imagine no more dents or rust! The WFA can be installed recessed or surface mounted on the wall and is available in a large array of wattages to meet all your needs.



### EXTRUDED ALUMINUM PROFILE WITH A UNIQUE AND LUXURIOUS DESIGN

### EXTREMELY SOLID, IMPACT AND RUST RESISTANT

### WIDE RANGE OF MODELS AND HEATING CAPACITIES INCLUDING A SINGLE UNIT OF 4800 W

### SIGNATURE NICHROME ELEMENT OFFERING SUPERIOR PERFORMANCE AND IMMEDIATE HEAT!

### IDEAL FOR:

LOBBY, ENTRANCE, CORRIDOR, FACTORY, WAREHOUSE,  
STAIRWELL

### COLOURS

white, silica white, almond, silver, black, textured charcoal, nickel, champagne, light bronze, dark brown, clear anodized (paint)

### FINISH

epoxy-polyester powdercoat

### MANUFACTURING

- 22-gauge steel cabinet
- extruded aluminum grille with a thickness equivalent to 13 gauge
- top air intake with bottom air discharge
- quiet helicoidal fan: single unit 1 x 160 CFM - double unit 2 x 160 CFM - triple unit 3 x 160 CFM
- thermal protection with automatic reset
- totally enclosed, permanently lubricated motor

### ELEMENT

high quality nichrome element producing instant heat

### INSTALLATION

- wall mounted
- recessed or surface mounted with surface adapter (optional)

## ACCESSORIES

PRODUCT	DESCRIPTION	PRICE
WFAT1	built-in single pole thermostat [120 V-347 V]	41.00
WFAT2	built-in double pole thermostat [120 V-347 V]	52.50
WFASA1*	surface adapter (single unit)	84.50
WFASA2*	surface adapter (double unit)	168.00
WFASA3*	surface adapter (triple unit)	252.00
WFADIS-30*	disconnect switch kit 600 V/30 A, 2 poles	108.00
WFADIS-40*	disconnect switch kit 600 V/40 A, 2 poles/3 poles	128.00
WFADIS-60*	disconnect switch kit 600 V/60 A, 2 poles/3 poles	155.00

\* Add W for white, SW for silica white, A for almond, S for silver, BK for black, CHAR for textured charcoal, NIC for nickel, CHA for champagne, LB for light bronze, BR for dark brown or CAP for clear anodized (paint)

\* Factory installation



# TECHNICAL SPECIFICATIONS

WITHOUT CONTROL		BUILT-IN THERMOSTAT		240 V CONTROL		24 V CONTROL		POWER	VOLTAGE	WEIGHT		MODEL
CODE	PRICE	CODE	PRICE	CODE	CODE	PRICE	WATTS	VOLTS	KG	LB	UNIT	
WFA1508	537.00	WFA1508T	577.00	WFA1508C	WFA1508C24	665.00	1500	208	9.1	20	SINGLE	
WFA1502	537.00	WFA1502T	577.00	WFA1502C	WFA1502C24	665.00	1500/1125	240/208	9.1	20	SINGLE	
WFA1507	776.00	WFA1507T	817.00	WFA1507C	WFA1507C24	905.00	1500	277	12	27	SINGLE	
WFA1503	776.00	WFA1503T	817.00	WFA1503C	WFA1503C24	905.00	1500	347	9.1	20	SINGLE	
---	---	WFA1505T	856.00	WFA1505C	WFA1505C24	943.00	1500	480	12	27	SINGLE	
---	---	WFA1506T	856.00	WFA1506C	WFA1506C24	943.00	1500	600	12	27	SINGLE	
WFA2008	537.00	WFA2008T	577.00	WFA2008C	WFA2008C24	665.00	2000	208	10.4	23	SINGLE	
WFA2002	537.00	WFA2002T	577.00	WFA2002C	WFA2002C24	665.00	2000/1500	240/208	10.4	23	SINGLE	
WFA2007	776.00	WFA2007T	817.00	WFA2007C	WFA2007C24	905.00	2000	277	12	27	SINGLE	
WFA2003	776.00	WFA2003T	817.00	WFA2003C	WFA2003C24	905.00	2000	347	10.4	23	SINGLE	
---	---	WFA2005T	856.00	WFA2005C	WFA2005C24	943.00	2000	480	12	27	SINGLE	
---	---	WFA2006T	856.00	WFA2006C	WFA2006C24	943.00	2000	600	12	27	SINGLE	
WFA3008	551.00	WFA3008T	592.00	WFA3008C	WFA3008C24	679.00	3000	208	10.4	23	SINGLE	
WFA3002	551.00	WFA3002T	592.00	WFA3002C	WFA3002C24	679.00	3000/2250	240/208	10.4	23	SINGLE	
WFA3007	803.00	WFA3007T	844.00	WFA3007C	WFA3007C24	932.00	3000	277	12	27	SINGLE	
WFA3003	803.00	WFA3003T	844.00	WFA3003C	WFA3003C24	932.00	3000	347	10.4	23	SINGLE	
---	---	WFA3005T	880.00	WFA3005C	WFA3005C24	968.00	3000	480	12	27	SINGLE	
---	---	WFA3006T	880.00	WFA3006C	WFA3006C24	968.00	3000	600	12	27	SINGLE	
WFA4008	589.00	WFA4008T	630.00	WFA4008C	WFA4008C24	717.00	4000	208	10.4	23	SINGLE	
WFA4002	589.00	WFA4002T	630.00	WFA4002C	WFA4002C24	717.00	4000/3000	240/208	10.4	23	SINGLE	
WFA4007	828.00	WFA4007T	869.00	WFA4007C	WFA4007C24	956.00	4000	277	12	27	SINGLE	
WFA4003	828.00	WFA4003T	869.00	WFA4003C	WFA4003C24	956.00	4000	347	10.4	23	SINGLE	
---	---	WFA4005T	908.00	WFA4005C	WFA4005C24	996.00	4000	480	12	27	SINGLE	
---	---	WFA4006T	908.00	WFA4006C	WFA4006C24	996.00	4000	600	12	27	SINGLE	
WFA4808	621.00	WFA4808T	662.00	WFA4808C	WFA4808C24	749.00	4800	208	10.4	23	SINGLE	
WFA4802	621.00	WFA4802T	662.00	WFA4802C	WFA4802C24	749.00	4800/3600	240/208	10.4	23	SINGLE	
WFA4807	875.00	WFA4807T	916.00	WFA4807C	WFA4807C24	1003.00	4800	277	12	27	SINGLE	
WFA4803	875.00	WFA4803T	916.00	WFA4803C	WFA4803C24	1003.00	4800	347	10.4	23	SINGLE	
---	---	WFA4805T	957.00	WFA4805C	WFA4805C24	1044.00	4800	480	12	27	SINGLE	
---	---	WFA4806T	957.00	WFA4806C	WFA4806C24	1044.00	4800	600	12	27	SINGLE	
---	---	WFA6008CT	1486.00	WFA6008C	WFA6008C24	1445.00	6000	208	20	44	DOUBLE	
---	---	WFA6002T	1357.00	WFA6002C	WFA6002C24	1445.00	6000/4500	240/208	20	44	DOUBLE	
---	---	WFA6007T	1761.00	WFA6007C	WFA6007C24	1848.00	6000	277	22	48	DOUBLE	
---	---	WFA6003T	1761.00	WFA6003C	WFA6003C24	1848.00	6000	347	20	44	DOUBLE	
---	---	WFA6005T	1763.00	WFA6005C	WFA6005C24	1851.00	6000	480	22	48	DOUBLE	
---	---	WFA6006T	1763.00	WFA6006C	WFA6006C24	1851.00	6000	600	22	48	DOUBLE	
---	---	WFA60083CT*	1486.00	WFA60083C*	WFA60083C24*	1445.00	6000	208	36	80	TRIPLE	
---	---	WFA60053CT*	1892.00	WFA60053C*	WFA60053C24*	1851.00	6000	480	36	80	TRIPLE	
---	---	WFA60063CT*	1892.00	WFA60063C*	WFA60063C24*	1851.00	6000	600	36	80	TRIPLE	
---	---	WFA8008CT	1452.00	WFA8008C	WFA8008C24	1411.00	8000	208	20	44	DOUBLE	
---	---	WFA8002CT	1452.00	WFA8002C	WFA8002C24	1411.00	8000/6000	240/208	20	44	DOUBLE	
---	---	WFA8007CT	2021.00	WFA8007C	WFA8007C24	1980.00	8000	277	22	48	DOUBLE	
---	---	WFA8003CT	2021.00	WFA8003C	WFA8003C24	1980.00	8000	347	20	44	DOUBLE	
---	---	WFA8005CT	2021.00	WFA8005C	WFA8005C24	1980.00	8000	480	22	48	DOUBLE	
---	---	WFA8006CT	2021.00	WFA8006C	WFA8006C24	1980.00	8000	600	22	48	DOUBLE	
---	---	WFA90083CT*	1910.00	WFA90083C*	WFA90083C24*	1869.00	9000	208	36	80	TRIPLE	
---	---	WFA90053CT*	2396.00	WFA90053C*	WFA90053C24*	2355.00	9000	480	36	80	TRIPLE	
---	---	WFA90063CT*	2396.00	WFA90063C*	WFA90063C24*	2355.00	9000	600	36	80	TRIPLE	
---	---	WFA12008CT	2373.00	WFA12008C	WFA12008C24	2333.00	12000	208	36	80	TRIPLE	
---	---	WFA12002CT	2373.00	WFA12002C	WFA12002C24	2333.00	12000/9000	240/208	36	80	TRIPLE	
---	---	WFA12007CT	2898.00	WFA12007C	WFA12007C24	2857.00	12000	277	36	80	TRIPLE	
---	---	WFA12003CT	2898.00	WFA12003C	WFA12003C24	2857.00	12000	347	36	80	TRIPLE	
---	---	WFA12005CT	2898.00	WFA12005C	WFA12005C24	2857.00	12000	480	36	80	TRIPLE	
---	---	WFA12006CT	2898.00	WFA12006C	WFA12006C24	2857.00	12000	600	36	80	TRIPLE	
---	---	WFA120083CT*	2373.00	WFA120083C*	WFA120083C24*	2333.00	12000	208	36	80	TRIPLE	
---	---	WFA120053CT*	2898.00	WFA120053C*	WFA120053C24*	2857.00	12000	480	36	80	TRIPLE	
---	---	WFA120063CT*	2898.00	WFA120063C*	WFA120063C24*	2857.00	12000	600	36	80	TRIPLE	

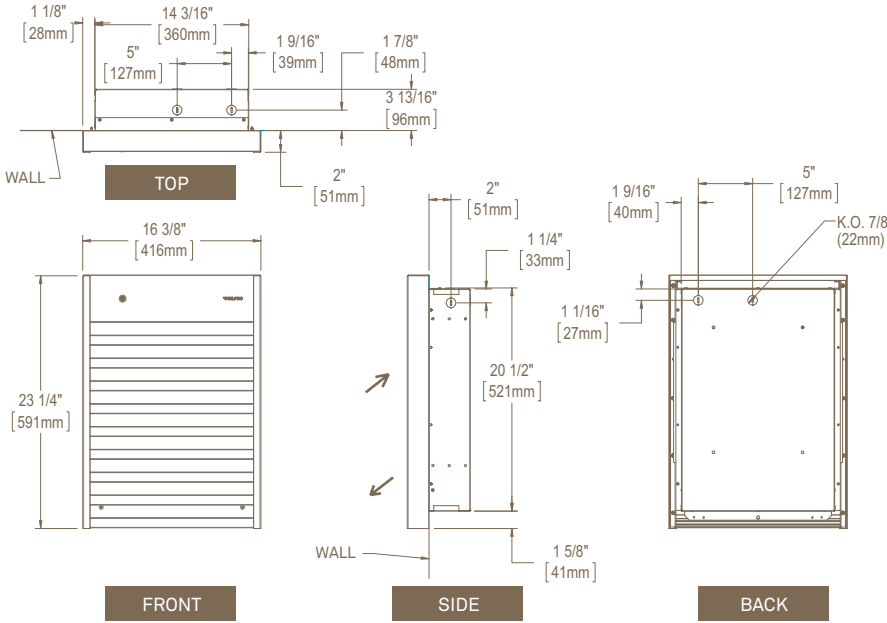
Add W for white, SW for silica white, A for almond, S for silver, BK for black, CHAR for textured charcoal, NIC for nickel, CHA for champagne, LB for light bronze, BR for dark brown or CAP for clear anodized (paint) (or consult the optional colour chart and contact your °STELPRO representative for all other colours)

\* Three-phase unit

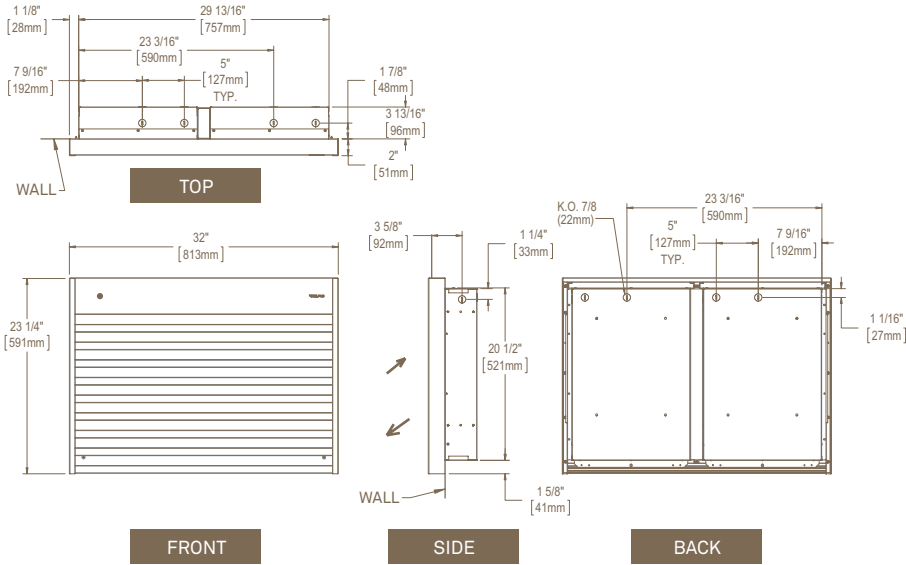
--- not available

# TECHNICAL DRAWINGS

## SINGLE UNIT



## DOUBLE UNIT



## TRIPLE UNIT

