

# **BALDOR**® • ***RELIANCE***

## **Product Information Packet**

# **GMP3332**

**.33HP, 1725RPM, 3PH, 60HZ, PSLH, 3320M,**

Part Detail							
Revision:	J	Status:	PRD/A	Change #:		Proprietary:	No
Type:	AC	Elec. Spec:	33WG0675	CD Diagram:	CD0005A05	Mfg Plant:	
Mech. Spec:		Layout:	33E873-0675G1	Poles:	04	Created Date:	07-15-2014
Base:		Eff. Date:	05-22-2017	Leads:	9#18		

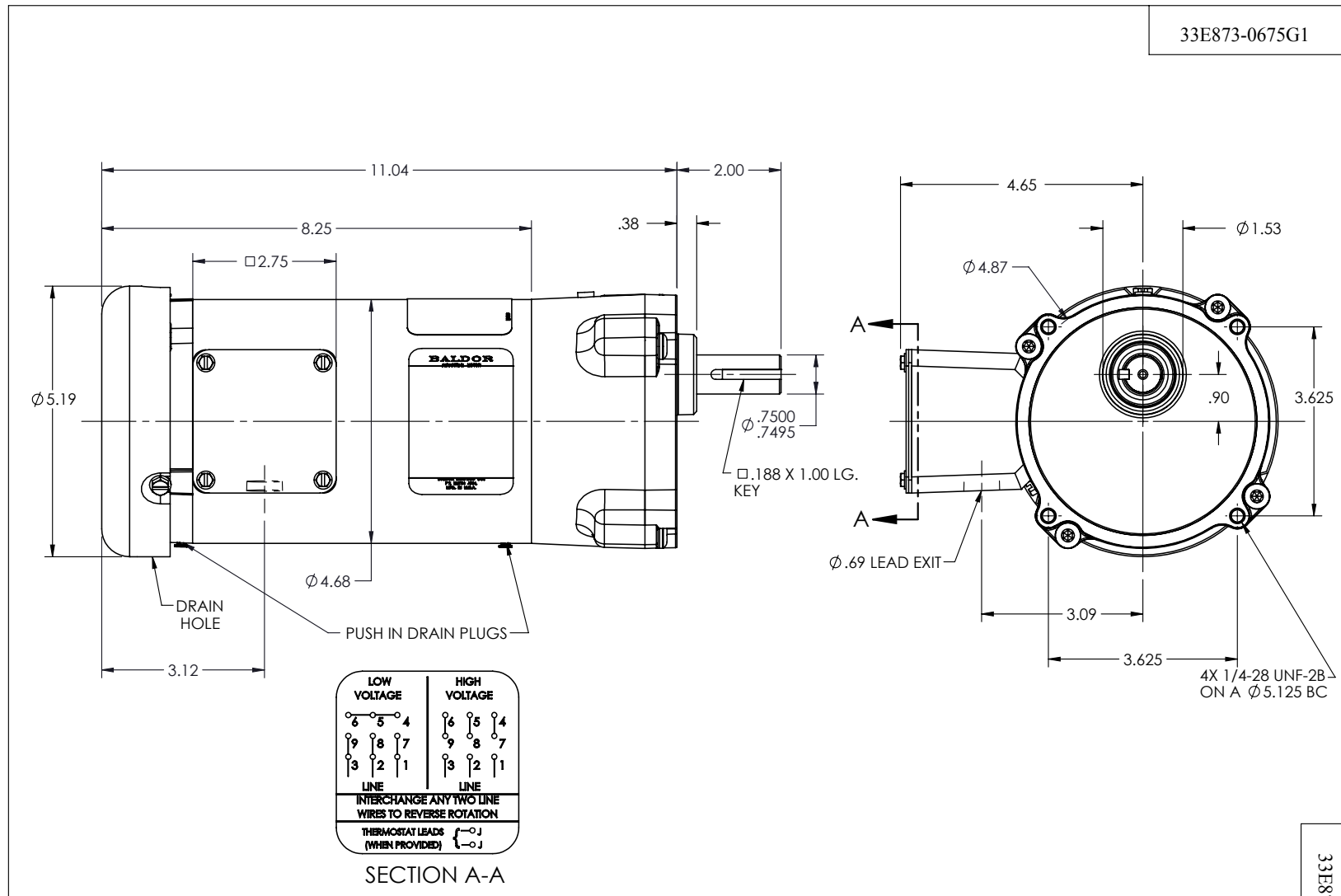
Specs			
Catalog Number:	GMP3332		
Frame Material:	Steel		
Output @ Frequency:	.330 HP @ 60 HZ		
Synchronous Speed @ Frequency:	1800 RPM @ 60 HZ		
Voltage @ Frequency:	460.0 V @ 60 HZ		
	230.0 V @ 60 HZ		
	208.0 V @ 60 HZ		
Agency Approvals:	CSA		
	UR		
Current @ Voltage:	.700 A @ 460.0 V		
	1.400 A @ 230.0 V		
	1.500 A @ 208.0 V		
Design Code:	B		
Duty Rating:	CONT		
Feedback Signal:	NONE		
Heater Indicator:	No Heater		
Insulation Class:	B		
Inverter Code:	Not Inverter		

<b>KVA Code:</b>	-		
<b>Motor Lead Quantity/Wire Size:</b>	9 @ 18 AWG		
<b>Motor Type:</b>	3320M		
<b>Power Factor:</b>	58		
<b>Product Family:</b>	General Purpose		
<b>RoHS Status:</b>	ROHS COMPLIANT		
<b>Shaft Rotation:</b>	Reversible		
<b>Motor Standards:</b>	NEMA		
<b>Starting Method:</b>	Full Voltage		
<b>Thermal Device - Winding:</b>	None		
<b>Winding Thermal 1:</b>	None		
<b>Winding Thermal 2:</b>	None		

## Nameplate NP1220A07

CAT.NO.	GMP3332		
SER.NO			
SPEC.	33E873-0675G1		
HP	.33		
VOLTS	208-230/460		
AMP	1.5-1.4/.7		
HZ	60	PH	3
AMB.	40	DUTY	CONT
CAP		CODE	-
SER.F.	1.00	CLASS	B
R.P.M.	86		
TORQ/IN LB	218		
RATIO	20:1		
APRV-CSA		APRV-UL	

No performance data has been  
assigned to this product.



CUSTOMER IS RESPONSIBLE FOR DETERMINING THAT BALDOR'S PRODUCT WILL PERFORM SUITABLY IN THE INTENDED APPLICATION

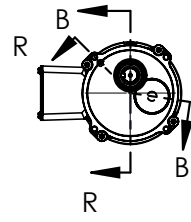
REV. DESC: NEW			
REV: -	VERSION: 00	REVISED: 01:37:18 03/03/2015	TDR: 000000862190
1G5E873-0675G1	MODEL NO. 33E873-0675G1	REF:	
	BY: CKYUKP0		

**BALDOR**

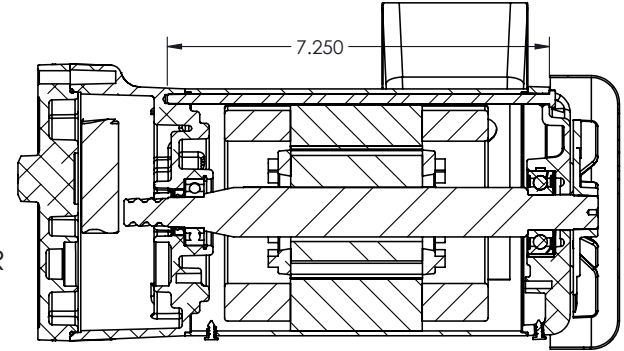
LY,33AC PSL RSB TEFC 2.00 X 0.75 KEY

33E873-0675G1

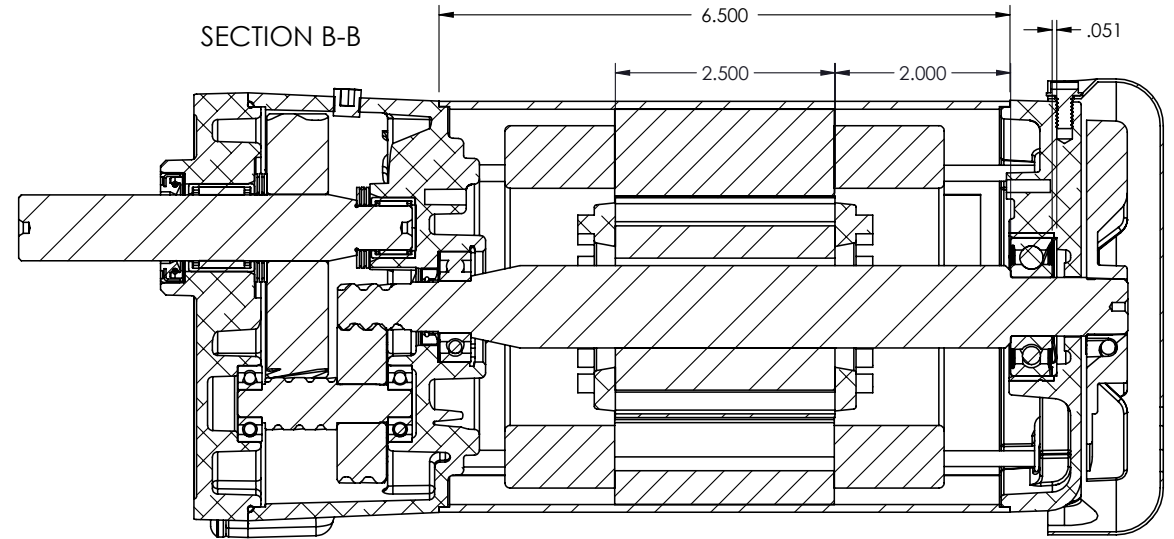
33E873-0675G1



SECTION R-R



SECTION B-B



CUSTOMER IS RESPONSIBLE FOR DETERMINING THAT BALDOR'S PRODUCT WILL PERFORM SUITABLY IN THE INTENDED APPLICATION

REV. DESC: NEW			
REV: -	VERSION: 00	REVISED: 01:37:18 03/03/2015	TDR: 000000862190
33E873-0675G1		MODEL NO. 33E873-0675G1	REF:
		BY: CKYUKP0	

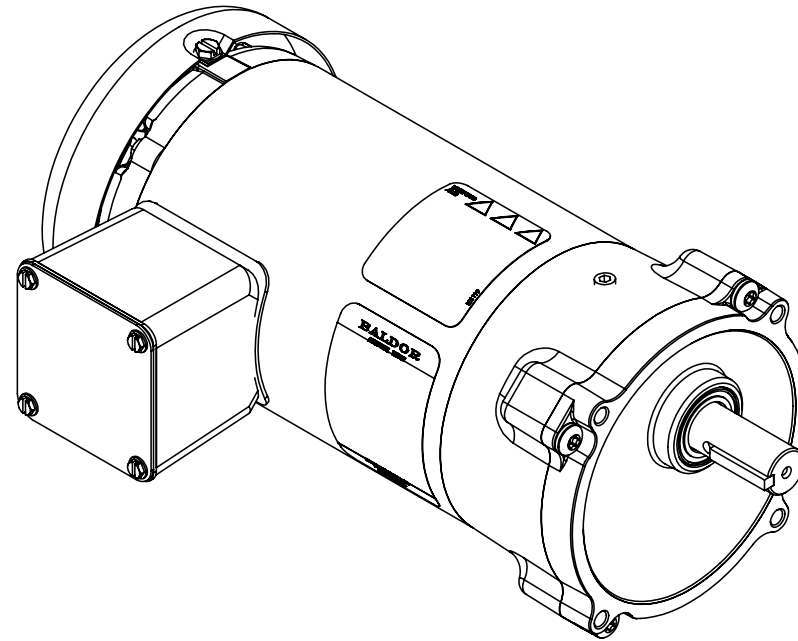
**BALDOR**

LY,33AC PSL RSB TEFC 2.00 X 0.75 KEY

33E873-0675G1

ITEM NO.	PART NUMBER	QTY.
1	HG0077A12	1
2	HW4600F102	1
3	BMH1714	2
4	BG6002	1
5	HW5002A95	1
6	BH1163A02	1
7	HA4021A05	1
8	HW3064E05	1
9	33SH7251B01	1
10	33RC4120-00	1
11	BG6203C03	1
12	33SA9200B96	1
13	NS2512A01	1
14	34GS1029A01	1
15	34CB3002C	1
16	51XB1016A07	2
17	11XT1032G06	1
18	34GS1031A01	1
19	34CB4517	1
20	51XT0832A07	4
21	33EP3100A01	1
22	HW5109A05	1
23	HA3100A	2
24	33FN3000	1
25	12XN0832A16	1
26	HW1003A08	1
27	XY0832A02	1
28	33FH4000A01	1
29	51XB1016A06	3
30	SG0045B97	1
31	SG0045B98	1
32	CG0012A01	1
33	RM1020A22	1
34	BH1163A03	1
35	HW4600D39	1
36	60XM2520A12	4
37	NP1220	1
38	LC0005	1
39	LB1119	1
40	BMH1910	1
41	HA4067	2

33E873-0675G1



33E873-0675G1

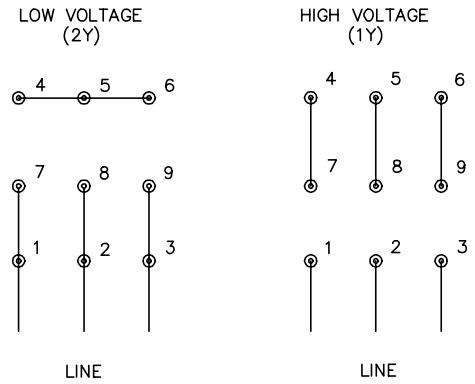
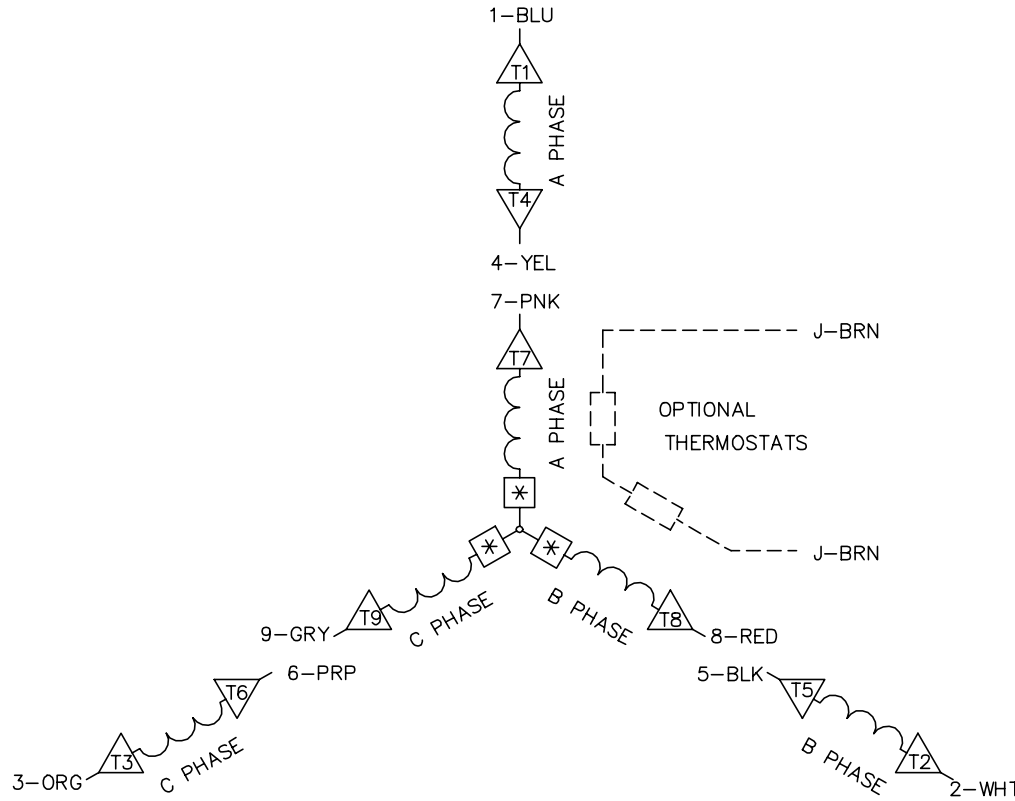
CUSTOMER IS RESPONSIBLE FOR DETERMINING THAT BALDOR'S PRODUCT WILL PERFORM SUITABLY IN THE INTENDED APPLICATION

REV. DESC: NEW			
REV: -	VERSION: 00	REVISED: 01:37:18 03/03/2015	TDR: 000000862190
33E873-0675G1		MODEL NO. 33E873-0675G1	REF:
		BY: CKYUKP0	

**BALDOR**

LY,33AC PSL RSB TEFC 2.00 X 0.75 KEY

CD0005A05



- NOTES:
1. INTERCHANGE ANY TWO LINE LEADS TO REVERSE ROTATION.
  2. OPTIONAL THERMOSTATS ARE PROVIDED WHEN SPECIFIED.
  3. ACTUAL NUMBER OF INTERNAL PARALLEL CIRCUITS MAY BE A MULTIPLE OF THOSE SHOWN ABOVE.
  4. LEAD COLORS ARE OPTIONAL. LEADS MUST ALWAYS BE NUMBERED AS SHOWN.
  5. =MAGNET WIRE COIL END WITH I.D. NUMBER.
  6. =MAGNET WIRE COIL END WITH I.D. SYMBOL.
  7. SEE CW PRINT FOR NEST TO NEST CROSSOVER CONNECTIONS.

REV. DESC: ADD NEST NOTE			
REV. LTR: C	VERSION: 03	TDR: 000000445597	
CD0005A05	FILE: \CKA\00024\847	REVISED: 12:51:06 11/15/2007	
	MTL: -	BY: CKMICRO	

**BALDOR • DODGE • RELIANCE**

3PH, DV, 9 LEADS, CK

CD0005A05