

BALDOR® • **RELIANCE**

Product Information Packet

EM7036T

3//2HP,1160//960RPM,3PH,60//50HZ,213T,37

| Part Detail | | | | | | | |
|-------------|--------|-------------|------------|-------------|--------|---------------|------------|
| Revision: | H | Status: | PRD/A | Change #: | | Proprietary: | No |
| Type: | AC | Elec. Spec: | 37WGS519 | CD Diagram: | CD0005 | Mfg Plant: | |
| Mech. Spec: | 37H239 | Layout: | 37LYH239 | Poles: | 06 | Created Date: | 06-21-2010 |
| Base: | RG | Eff. Date: | 02-23-2017 | Leads: | 9#14 | | |

| Specs | | | |
|---------------------------------|-----------------------|--------------------------------|-----------------------|
| Catalog Number: | EM7036T | Front Shaft Indicator: | None |
| Enclosure: | XPFC | Heater Indicator: | No Heater |
| Frame: | 213T | Insulation Class: | B |
| Frame Material: | Steel | Inverter Code: | Not Inverter |
| Output @ Frequency: | 3.000 HP @ 60 HZ | KVA Code: | L |
| | 2.000 HP @ 50 HZ | Lifting Lugs: | Standard Lifting Lugs |
| Synchronous Speed @ Frequency: | 1200 RPM @ 60 HZ | Locked Bearing Indicator: | No Locked Bearing |
| Voltage @ Frequency: | 460.0 V @ 60 HZ | Motor Lead Quantity/Wire Size: | 9 @ 14 AWG |
| | 190.0 V @ 50 HZ | Motor Lead Exit: | Ko Box |
| | 230.0 V @ 60 HZ | Motor Lead Termination: | Flying Leads |
| | 380.0 V @ 50 HZ | Motor Type: | 3738M |
| XP Class and Group: | CLI GP D; CLII GP F,G | Mounting Arrangement: | F1 |
| XP Division: | Division I | Power Factor: | 68 |
| Agency Approvals: | UL | Product Family: | General Purpose |
| | CSA | Pulley End Bearing Type: | Ball |
| Auxillary Box: | No Auxillary Box | Pulley Face Code: | Standard |
| Auxillary Box Lead Termination: | None | Pulley Shaft Indicator: | Standard |
| Base Indicator: | Rigid | Rodent Screen: | None |

| | | | |
|---------------------------------------|---------------------------|------------------------------------|----------------------------|
| Bearing Grease Type: | Polyrex EM (-20F +300F) | RoHS Status: | ROHS COMPLIANT |
| Blower: | None | Shaft Extension Location: | Pulley End |
| Current @ Voltage: | 4.000 A @ 380.0 V | Shaft Ground Indicator: | No Shaft Grounding |
| | 4.600 A @ 460.0 V | Shaft Rotation: | Reversible |
| | 8.000 A @ 190.0 V | Shaft Slinger Indicator: | No Slinger |
| | 9.200 A @ 230.0 V | Speed Code: | Single Speed |
| | 9.600 A @ 208.0 V | Motor Standards: | NEMA |
| Design Code: | B | Starting Method: | Direct on line |
| Drip Cover: | No Drip Cover | Thermal Device - Bearing: | None |
| Duty Rating: | CONT | Thermal Device - Winding: | Normally Closed Thermostat |
| Electrically Isolated Bearing: | Not Electrically Isolated | Vibration Sensor Indicator: | No Vibration Sensor |
| Feedback Device: | NO FEEDBACK | Winding Thermal 1: | None |
| Front Face Code: | Standard | Winding Thermal 2: | None |
| | | XP Temp Code: | T3C |

| Nameplate NP1426XPSLEV | |
|------------------------|------------------------------|
| NO. | <input type="text"/> CC 010A |
| SER. | <input type="text"/> |
| SPEC. | 37H239S519G1 |
| CAT.NO. | EM7036T |
| HP | 3//2 T. CODE T3C |
| VOLTS | 230/460//190/380 |
| AMPS | 9.2/4.6//8/4 |
| RPM | 1160//960 |
| HZ | 60//50 PH 3 CL B |
| SER.F. | 1.00 DES B CODE L |
| RATING | 40C AMB-CONT |
| FRAME | 213T NEMA-NOM-EFF 89.5 |
| USABLE AT 208V | 9.6 PF 68 |
| BLANK | <input type="text"/> |

AC Induction Motor Performance Data

Record # 35765 - Typical performance - not guaranteed values

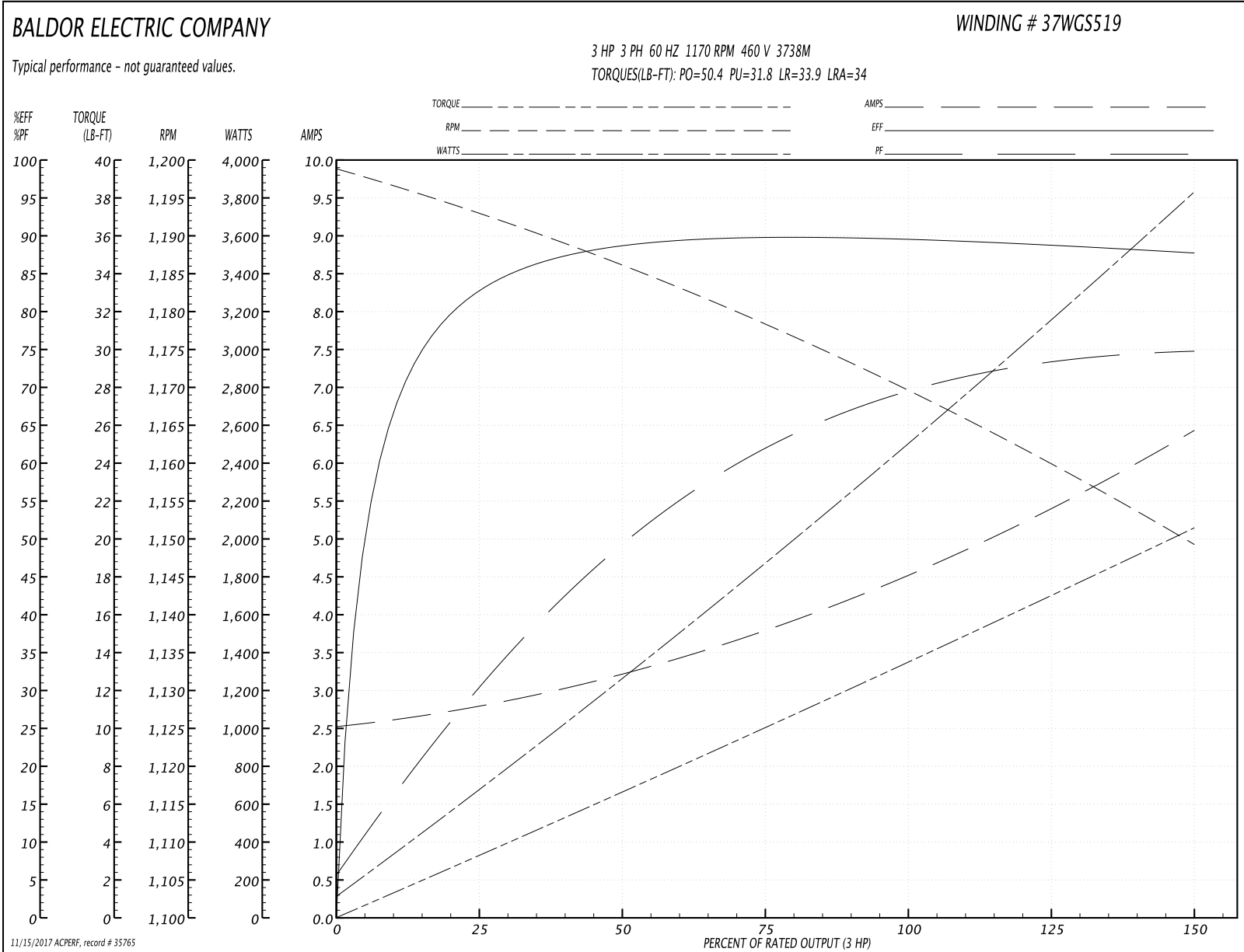
| | | |
|-------------------------------|--------------------|------------------------|
| Winding: 37WGS519-R004 | Type: 3738M | Enclosure: XPFC |
|-------------------------------|--------------------|------------------------|

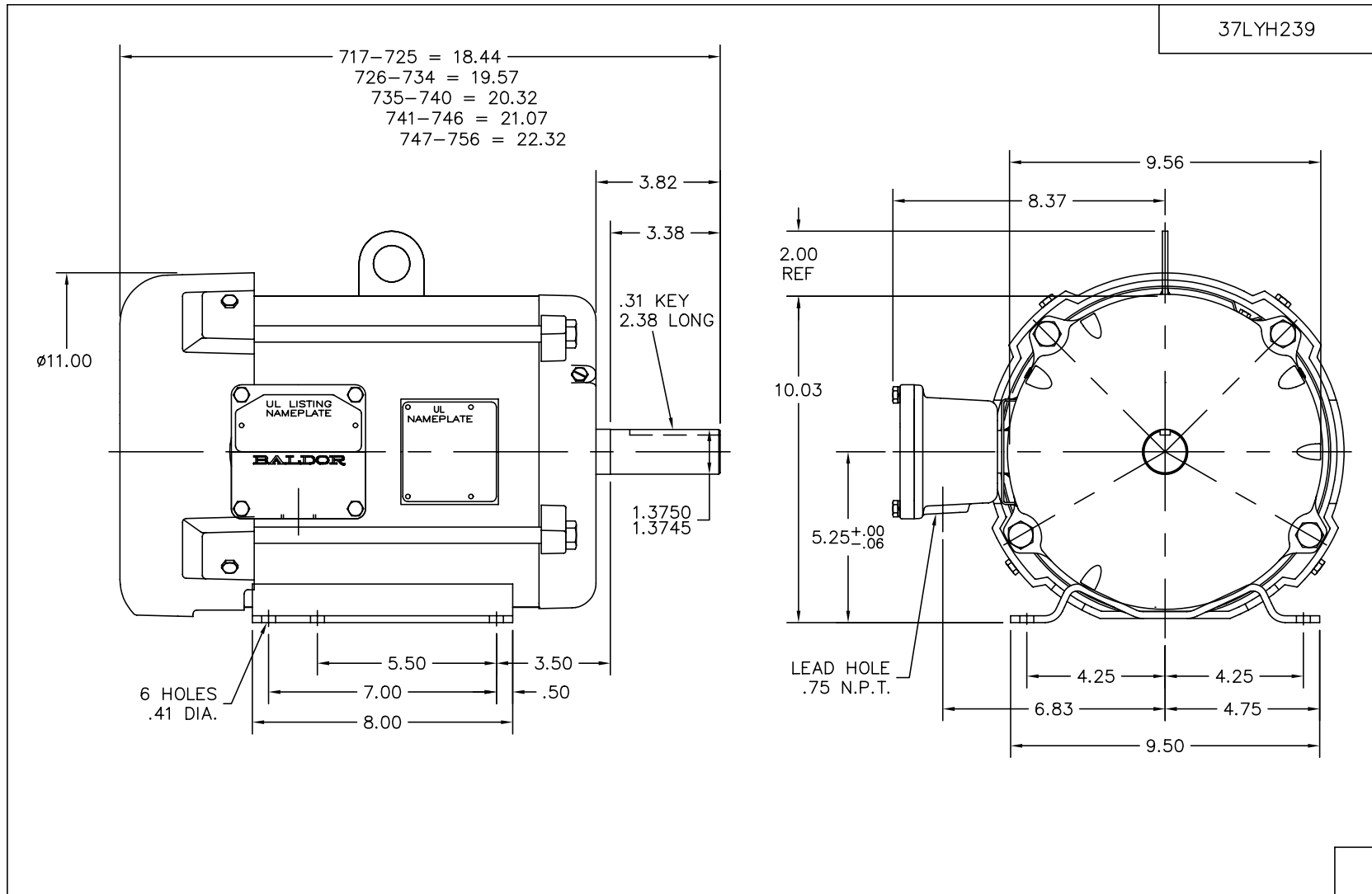
| Nameplate Data | | | | 460 V, 60 Hz: High Voltage Connection | |
|-----------------------|------------------|--------------|----|--|--------------------------|
| Rated Output (HP) | 3//2 | | | Full Load Torque | 13.4 LB-FT |
| Volts | 230/460//190/380 | | | Start Configuration | direct on line |
| Full Load Amps | 9.2/4.6//8/4 | | | Breakdown Torque | 50.4 LB-FT |
| R.P.M. | 1160//960 | | | Pull-up Torque | 31.8 LB-FT |
| Hz | 60//50 | Phase | 3 | Locked-rotor Torque | 33.9 LB-FT |
| NEMA Design Code | B | KVA Code | L | Starting Current | 34 A |
| Service Factor (S.F.) | 1 | | | No-load Current | 2.56 A |
| NEMA Nom. Eff. | 89.5 | Power Factor | 68 | Line-line Res. @ 25°C | 2.67 Ω |
| Rating - Duty | 40C AMB-CONT | | | Temp. Rise @ Rated Load | 38°C |
| | | | | Locked-rotor Power Factor | 22.9 |
| | | | | Rotor inertia | 0.945 LB-FT ² |

Load Characteristics 460 V, 60 Hz, 3 HP

| % of Rated Load | 25 | 50 | 75 | 100 | 125 | 150 |
|-----------------|------|------|------|------|------|------|
| Power Factor | 30 | 50 | 62 | 69 | 73 | 75 |
| Efficiency | 82.1 | 88.6 | 89.5 | 89.8 | 89.1 | 87.6 |
| Speed | 1193 | 1186 | 1178 | 1170 | 1160 | 1149 |
| Line amperes | 2.74 | 3.19 | 3.82 | 4.53 | 5.44 | 6.41 |

Performance Graph at 460V, 60Hz, 3.0HP Typical performance - Not guaranteed values





| | | | | | | | | | | | |
|----------------|--|------------|--|---|--|--------|--|--------------|--|------|--|
| CUST. NAME | | CUST. P.O. | | CERTIFIED BY | | MODEL | | INSUL | | AMB | |
| H.P. | | MTG | | TYPE | | R.P.M. | | VOLTS | | ENCL | |
| PHASE | | FREQ | | FRAME | | | | | | | |
| REV. DESC: NEW | | | | | | | | | | | |
| REV. LTR: - | | BY: SLK | | REVISED: 09/13/99 11:47 | | | | TDR: 0189039 | | | |
| 6Ω2HΛ7Σ | | | | FILE: AAA00068145 | | | | MDL: - | | | |
| MTL: - | | | | <p style="text-align: center;">BALDOR ELECTRIC Co.</p> <p style="text-align: center;">HOR 213-5T XPFC M EPACK STACKS, DUAL CLASS</p> | | | | | | | |
| | | | | | | | | | | | |

37LYH239

CD0005

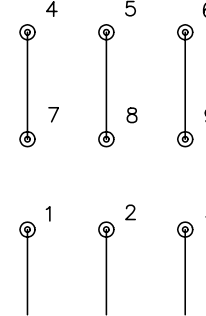


LOW VOLTAGE
(2Y)



LINE

HIGH VOLTAGE
(1Y)



LINE

NOTES:

1. INTERCHANGE ANY TWO LINE LEADS TO REVERSE ROTATION.
2. OPTIONAL THERMOSTATS ARE PROVIDED WHEN SPECIFIED.
3. ACTUAL NUMBER OF INTERNAL PARALLEL CIRCUITS MAY BE A MULTIPLE OF THOSE SHOWN ABOVE.
4. LEAD COLORS ARE OPTIONAL. LEADS MUST ALWAYS BE NUMBERED AS SHOWN.

| | | | |
|---|---------|-------------------------|--------------|
| REV. DESC: REVISE TO SHOW OPTIONAL COLORS | | | |
| REV. LTR: E | BY: JLP | REVISED: 01/19/99 10:15 | TDR: 0171435 |
| 900003 | | FILE: AAA00005140 | MDL: - |
| | | MTL: - | |

BALDOR ELECTRIC Co.

3PH, DV, 9 LEADS

CD0005