

BALDOR® • **RELIANCE**

Product Information Packet

CEM2516T

25HP,3515RPM,3PH,60HZ,256TC,3938M,OPSB,F

Part Detail							
Revision:	K	Status:	PRD/A	Change #:		Proprietary:	No
Type:	AC	Elec. Spec:	39WGX424	CD Diagram:	CD0180	Mfg Plant:	
Mech. Spec:	39D102	Layout:	39LYD102	Poles:	02	Created Date:	08-03-2010
Base:	RG	Eff. Date:	10-17-2017	Leads:	9#10		

Specs			
Catalog Number:	CEM2516T	Heater Indicator:	No Heater
Enclosure:	OPSB	Insulation Class:	F
Frame:	256TC	Inverter Code:	Inverter Ready
Frame Material:	Steel	KVA Code:	G
Output @ Frequency:	25.000 HP @ 60 HZ	Lifting Lugs:	Standard Lifting Lugs
Synchronous Speed @ Frequency:	3600 RPM @ 60 HZ	Locked Bearing Indicator:	Locked Bearing
Voltage @ Frequency:	460.0 V @ 60 HZ	Motor Lead Quantity/Wire Size:	9 @ 10 AWG
	230.0 V @ 60 HZ	Motor Lead Exit:	Ko Box
XP Class and Group:	None	Motor Lead Termination:	Flying Leads
XP Division:	Not Applicable	Motor Type:	3938M
Agency Approvals:	UR	Mounting Arrangement:	F1
	CSA EEV	Power Factor:	89
	CSA	Product Family:	General Purpose
Auxillary Box:	No Auxillary Box	Pulley End Bearing Type:	Ball
Auxillary Box Lead Termination:	None	Pulley Face Code:	C-Face
Base Indicator:	Rigid	Pulley Shaft Indicator:	Standard
Bearing Grease Type:	Polyrex EM (-20F +300F)	Rodent Screen:	None
Blower:	None	Shaft Extension Location:	Pulley End

Current @ Voltage:	28.000 A @ 460.0 V	Shaft Ground Indicator:	No Shaft Grounding
	56.000 A @ 230.0 V	Shaft Rotation:	Reversible
	62.000 A @ 208.0 V	Shaft Slinger Indicator:	No Slinger
Design Code:	A	Speed Code:	Single Speed
Drip Cover:	No Drip Cover	Motor Standards:	NEMA
Duty Rating:	CONT	Starting Method:	Direct on line
Electrically Isolated Bearing:	Not Electrically Isolated	Thermal Device - Bearing:	None
Feedback Device:	NO FEEDBACK	Thermal Device - Winding:	None
Front Face Code:	Standard	Vibration Sensor Indicator:	No Vibration Sensor
Front Shaft Indicator:	None	Winding Thermal 1:	None
		Winding Thermal 2:	None

Nameplate NP3554LUA											
CAT.NO.	CEM2516T			P/N				ENCL	OPSB		
SPEC.	39D102X424G1		CC	010A		FRAME	256TC		SER.NO.		
HP	25		CLASS	F		HZ	60				
RPM	3515		PH	3		DES	A				
VOLTS	230/460			CODE	G		ODE BRG	6208		DE BRG	6309
AMPS	56/28			USABLE AT 208V	62						
RATING	40C AMB-CONT			NEMA-NOM-EFF	91.7		GREASE	POLYREX EM			
PF	89		SER.F.	1.15		VPWM INVERTER READY					
USABLE AT	50Hz 25Hp 190/380V 68/34A				SF 1.0						
HTR-VOLTS			HTR-AMPS			MAX. SPACE HEATER TEMP.					

AC Induction Motor Performance Data

Record # 32011 - Typical performance - not guaranteed values

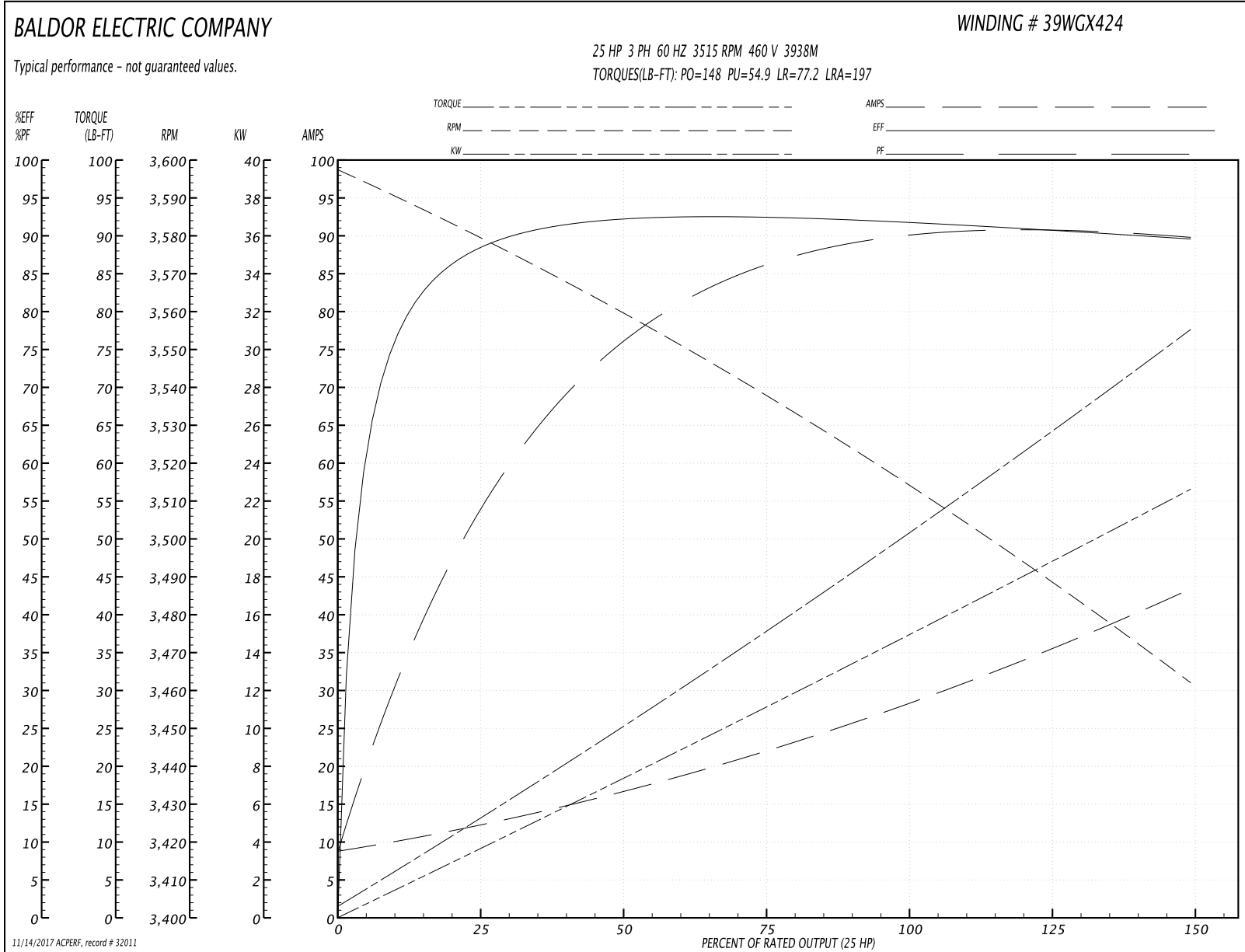
Winding: 39WGX424-R001	Type: 3938M	Enclosure: OPSB
-------------------------------	--------------------	------------------------

Nameplate Data				460 V, 60 Hz: High Voltage Connection	
Rated Output (HP)	25			Full Load Torque	37.2 LB-FT
Volts	230/460			Start Configuration	direct on line
Full Load Amps	56/28			Breakdown Torque	148 LB-FT
R.P.M.	3515			Pull-up Torque	54.9 LB-FT
Hz	60	Phase	3	Locked-rotor Torque	77.2 LB-FT
NEMA Design Code	B	KVA Code	G	Starting Current	197 A
Service Factor (S.F.)	1.15			No-load Current	8.48 A
NEMA Nom. Eff.	91.7	Power Factor	89	Line-line Res. @ 25°C	0.38245 Ω
Rating - Duty	40C AMB-CONT			Temp. Rise @ Rated Load	46°C
S.F. Amps				Temp. Rise @ S.F. Load	57°C
				Locked-rotor Power Factor	29
				Rotor inertia	0.971 LB-FT ²

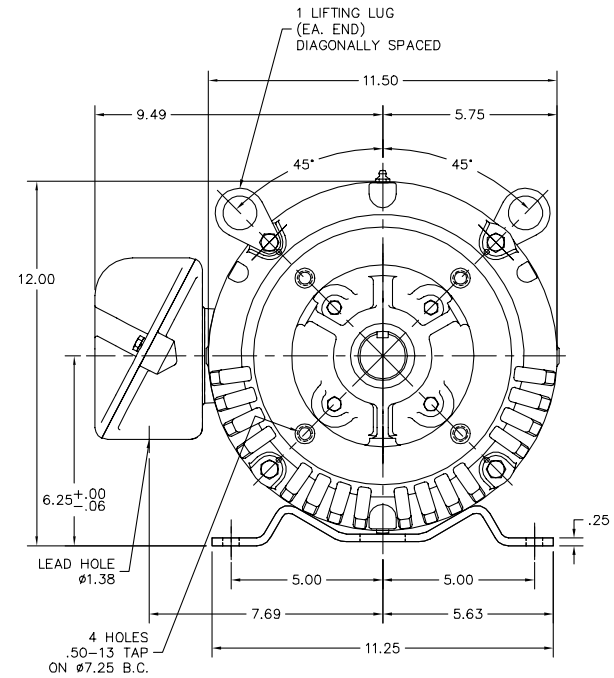
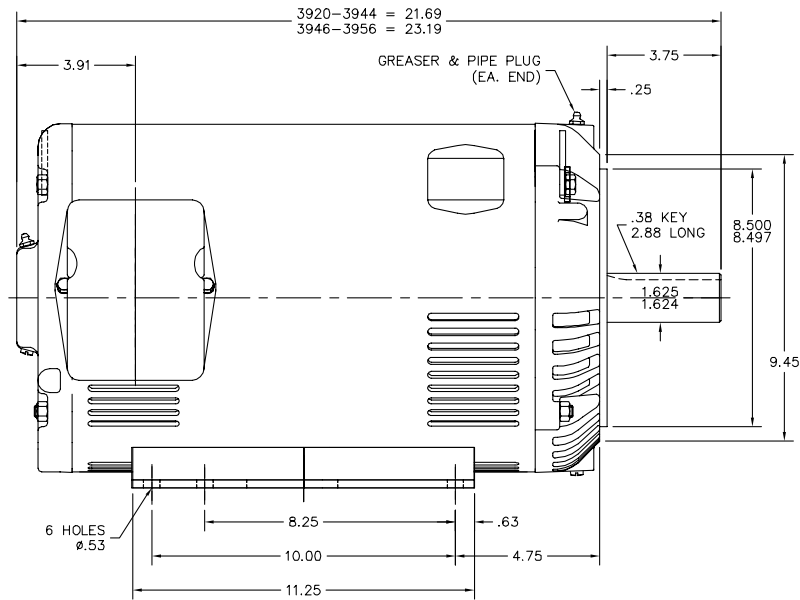
Load Characteristics 460 V, 60 Hz, 25 HP

% of Rated Load	25	50	75	100	125	150	S.F.
Power Factor	50	79	86	89	90	90	90
Efficiency	87.5	91.8	92.3	91.7	90.7	89.4	91.1
Speed	3578.1	3559.4	3538.9	3515.1	3490	3461	3500
Line amperes	13.1	15.8	21.8	28.4	35.6	43.3	32.7

Performance Graph at 460V, 60Hz, 25.0HP Typical performance - Not guaranteed values



39LYD102



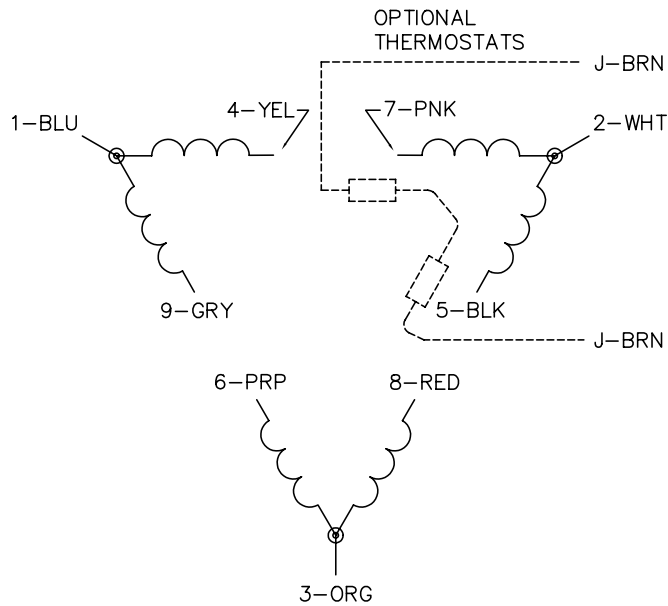
39LYD102

CUSTOMER IS RESPONSIBLE FOR DETERMINING THAT BALDOR'S PRODUCT WILL PERFORM SUITABLY IN THE INTENDED APPLICATION.

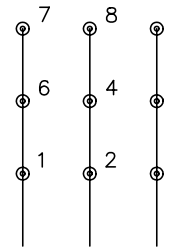
REV. DESC: UPDATED DESCRIPTION		
REV. LTR: J	VERSION: 05	TDR: 000000855149
FILE: \AAA\00015\156	REVISED: 02:06:59 05/23/2014	BY: ENNINDO
MTL: -		

BALDOR
HORZ OPSB 254-6TC
SH 1 of 1

CD0180

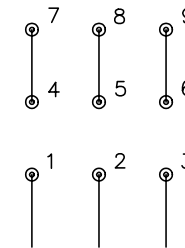


LOW VOLTAGE
(2D)



LINE

HIGH VOLTAGE
(1D)



LINE

NOTES:

1. INTERCHANGE ANY TWO LINE LEADS TO REVERSE ROTATION.
2. OPTIONAL THERMOSTATS ARE PROVIDED WHEN SPECIFIED.
3. ACTUAL NUMBER OF INTERNAL PARALLEL CIRCUITS MAY BE A MULTIPLE OF THOSE SHOWN ABOVE.
4. LEAD COLORS ARE OPTIONAL. LEADS MUST ALWAYS BE NUMBERED AS SHOWN.

REV. DESC: REVISE TO SHOW OPTIONAL COLORS			
REV. LTR: C	BY: JLP	REVISED: 01/21/99 2:28	TDR: 0171435
0810D0		FILE: AAA00005148	MDL: -
		MTL: -	

BALDOR ELECTRIC Co.

3PH, DV, 9 LEADS, DELTA CONNECTION

CD0180