

WALL FAN HEATER

ALUMINUM - WFA SERIES



WHEN DURABILITY AND PERFORMANCE MEET DESIGN

In need of a solid, stylish heater to warm your clients in the lobby or entrance of your business? The ALUX™ series wall fan heater (WFA) with its remarkable rush of warm air is the solution. It has an aluminum extrusion grille that is striking, modern and unbelievably resistant. Imagine no more dents or rust! The WFA can be installed recessed or surface mounted on the wall and is available in a large array of wattages to meet all your needs.



EXTRUDED ALUMINUM PROFILE WITH A UNIQUE AND LUXURIOUS DESIGN

EXTREMELY SOLID, IMPACT AND RUST RESISTANT

WIDE RANGE OF MODELS AND HEATING CAPACITIES INCLUDING A SINGLE UNIT OF 4800 W

SIGNATURE NICHROME ELEMENT OFFERING SUPERIOR PERFORMANCE AND IMMEDIATE HEAT!

IDEAL FOR:

LOBBY, ENTRANCE, CORRIDOR, FACTORY, WAREHOUSE, STAIRWELL

COLOURS

- standard: white, soft white
- ORORA (optional): denim blue, midnight blue, turquoise, moss green, canary yellow, red, orange, anodized aluminum paint, gravel gray, charcoal, espresso, black (refer to [page 8 of the catalogue](#))

FINISH

epoxy-polyester powdercoat

MANUFACTURING

- 22-gauge steel cabinet
- extruded aluminum grille with a thickness equivalent to 13 gauge
- top air intake with bottom air discharge
- quiet helicoidal fan: single unit 1 x 160 CFM - double unit 2 x 160 CFM - triple unit 3 x 160 CFM
- thermal protection with automatic reset
- totally enclosed, permanently lubricated motor

ELEMENT

high quality nichrome element producing instant heat

INSTALLATION

- wall mounted
- recessed or surface mounted with surface adapter (optional)

ACCESSORIES

PRODUCT	DESCRIPTION	PRICE
WFAT1	built-in single pole thermostat [120 V-347 V]	43.50
WFAT2	built-in double pole thermostat [120 V-347 V]	55.75
WFASA1*	surface adapter (single unit)	92.50
WFASA2*	surface adapter (double unit)	188.00
WFASA3*	surface adapter (triple unit)	280.00
WFADIS-30*	disconnect switch kit 600 V/30 A, 2 poles	115.00
WFADIS-40*	disconnect switch kit 600 V/40 A, 2 poles/3 poles	136.00
WFADIS-60*	disconnect switch kit 600 V/60 A, 2 poles/3 poles	165.00

* Add W for white or SW for soft white

* Factory installation



TECHNICAL SPECIFICATIONS

WITHOUT CONTROL		BUILT-IN THERMOSTAT		240 V CONTROL	24 V CONTROL	POWER	VOLTAGE	WEIGHT		MODEL	
CODE	PRICE	CODE	PRICE	CODE	CODE	PRICE	WATTS	VOLTS	KG	LB	UNIT
WFA1508	581.00	WFA1508T	625.00	WFA1508C	WFA1508C24	717.00	1500	208	9.1	20	SINGLE
WFA1502	581.00	WFA1502T	625.00	WFA1502C	WFA1502C24	717.00	1500/1125	240/208	9.1	20	SINGLE
WFA1507	834.00	WFA1507T	878.00	WFA1507C	WFA1507C24	970.00	1500	277	12	27	SINGLE
WFA1503	797.00	WFA1503T	841.00	WFA1503C	WFA1503C24	933.00	1500	347	9.1	20	SINGLE
---	---	WFA1505T	878.00	WFA1505C	WFA1505C24	970.00	1500	480	12	27	SINGLE
---	---	WFA1506T	878.00	WFA1506C	WFA1506C24	970.00	1500	600	12	27	SINGLE
WFA2008	581.00	WFA2008T	625.00	WFA2008C	WFA2008C24	717.00	2000	208	10.4	23	SINGLE
WFA2002	581.00	WFA2002T	625.00	WFA2002C	WFA2002C24	717.00	2000/1500	240/208	10.4	23	SINGLE
WFA2007	834.00	WFA2007T	878.00	WFA2007C	WFA2007C24	970.00	2000	277	12	27	SINGLE
WFA2003	797.00	WFA2003T	841.00	WFA2003C	WFA2003C24	933.00	2000	347	10.4	23	SINGLE
---	---	WFA2005T	878.00	WFA2005C	WFA2005C24	970.00	2000	480	12	27	SINGLE
---	---	WFA2006T	878.00	WFA2006C	WFA2006C24	970.00	2000	600	12	27	SINGLE
WFA3008	594.00	WFA3008T	636.00	WFA3008C	WFA3008C24	730.00	3000	208	10.4	23	SINGLE
WFA3002	594.00	WFA3002T	636.00	WFA3002C	WFA3002C24	730.00	3000/2250	240/208	10.4	23	SINGLE
WFA3007	847.00	WFA3007T	890.00	WFA3007C	WFA3007C24	983.00	3000	277	12	27	SINGLE
WFA3003	810.00	WFA3003T	854.00	WFA3003C	WFA3003C24	946.00	3000	347	10.4	23	SINGLE
---	---	WFA3005T	890.00	WFA3005C	WFA3005C24	983.00	3000	480	12	27	SINGLE
---	---	WFA3006T	890.00	WFA3006C	WFA3006C24	983.00	3000	600	12	27	SINGLE
WFA4008	631.00	WFA4008T	674.00	WFA4008C	WFA4008C24	767.00	4000	208	10.4	23	SINGLE
WFA4002	631.00	WFA4002T	674.00	WFA4002C	WFA4002C24	767.00	4000/3000	240/208	10.4	23	SINGLE
WFA4007	884.00	WFA4007T	928.00	WFA4007C	WFA4007C24	1020.00	4000	277	12	27	SINGLE
WFA4003	847.00	WFA4003T	890.00	WFA4003C	WFA4003C24	983.00	4000	347	10.4	23	SINGLE
---	---	WFA4005T	928.00	WFA4005C	WFA4005C24	1020.00	4000	480	12	27	SINGLE
---	---	WFA4006T	928.00	WFA4006C	WFA4006C24	1020.00	4000	600	12	27	SINGLE
WFA4808	656.00	WFA4808T	702.00	WFA4808C	WFA4808C24	799.00	4800	208	10.4	23	SINGLE
WFA4802	656.00	WFA4802T	702.00	WFA4802C	WFA4802C24	799.00	4800/3600	240/208	10.4	23	SINGLE
WFA4807	922.00	WFA4807T	968.00	WFA4807C	WFA4807C24	1066.00	4800	277	12	27	SINGLE
WFA4803	883.00	WFA4803T	929.00	WFA4803C	WFA4803C24	1026.00	4800	347	10.4	23	SINGLE
---	---	WFA4805T	968.00	WFA4805C	WFA4805C24	1066.00	4800	480	12	27	SINGLE
---	---	WFA4806T	968.00	WFA4806C	WFA4806C24	1066.00	4800	600	12	27	SINGLE
---	---	WFA6008CT	1554.00	WFA6008C	WFA6008C24	1510.00	6000	208	20	44	DOUBLE
---	---	WFA6002T	1417.00	WFA6002C	WFA6002C24	1510.00	6000/4500	240/208	20	44	DOUBLE
---	---	WFA6007T	1788.00	WFA6007C	WFA6007C24	1880.00	6000	277	22	48	DOUBLE
---	---	WFA6003T	1788.00	WFA6003C	WFA6003C24	1880.00	6000	347	20	44	DOUBLE
---	---	WFA6005T	1788.00	WFA6005C	WFA6005C24	1880.00	6000	480	22	48	DOUBLE
---	---	WFA6006T	1788.00	WFA6006C	WFA6006C24	1880.00	6000	600	22	48	DOUBLE
---	---	WFA60083CT*	1609.00	WFA60083C*	WFA60083C24*	1565.00	6000	208	36	80	TRIPLE
---	---	WFA60053CT*	1978.00	WFA60053C*	WFA60053C24*	1935.00	6000	480	36	80	TRIPLE
---	---	WFA60063CT*	1978.00	WFA60063C*	WFA60063C24*	1935.00	6000	600	36	80	TRIPLE
---	---	WFA8008CT	1639.00	WFA8008C	WFA8008C24	1596.00	8000	208	20	44	DOUBLE
---	---	WFA8002CT	1639.00	WFA8002C	WFA8002C24	1596.00	8000/6000	240/208	20	44	DOUBLE
---	---	WFA8007CT	2152.00	WFA8007C	WFA8007C24	2110.00	8000	277	22	48	DOUBLE
---	---	WFA8003CT	2152.00	WFA8003C	WFA8003C24	2110.00	8000	347	20	44	DOUBLE
---	---	WFA8005CT	2152.00	WFA8005C	WFA8005C24	2110.00	8000	480	22	48	DOUBLE
---	---	WFA8006CT	2152.00	WFA8006C	WFA8006C24	2110.00	8000	600	22	48	DOUBLE
---	---	WFA90083CT*	2215.00	WFA90083C*	WFA90083C24*	2171.00	9000	208	36	80	TRIPLE
---	---	WFA90053CT*	2815.00	WFA90053C*	WFA90053C24*	2771.00	9000	480	36	80	TRIPLE
---	---	WFA90063CT*	2815.00	WFA90063C*	WFA90063C24*	2771.00	9000	600	36	80	TRIPLE
---	---	WFA12008CT	2400.00	WFA12008C	WFA12008C24	2357.00	12000	208	36	80	TRIPLE
---	---	WFA12002CT	2400.00	WFA12002C	WFA12002C24	2357.00	12000/9000	240/208	36	80	TRIPLE
---	---	WFA12007CT	3000.00	WFA12007C	WFA12007C24	2957.00	12000	277	36	80	TRIPLE
---	---	WFA12003CT	3000.00	WFA12003C	WFA12003C24	2957.00	12000	347	36	80	TRIPLE
---	---	WFA12005CT	3000.00	WFA12005C	WFA12005C24	2957.00	12000	480	36	80	TRIPLE
---	---	WFA12006CT	3000.00	WFA12006C	WFA12006C24	2957.00	12000	600	36	80	TRIPLE
---	---	WFA120083CT*	2400.00	WFA120083C*	WFA120083C24*	2357.00	12000	208	36	80	TRIPLE
---	---	WFA120053CT*	3000.00	WFA120053C*	WFA120053C24*	2957.00	12000	480	36	80	TRIPLE
---	---	WFA120063CT*	3000.00	WFA120063C*	WFA120063C24*	2957.00	12000	600	36	80	TRIPLE

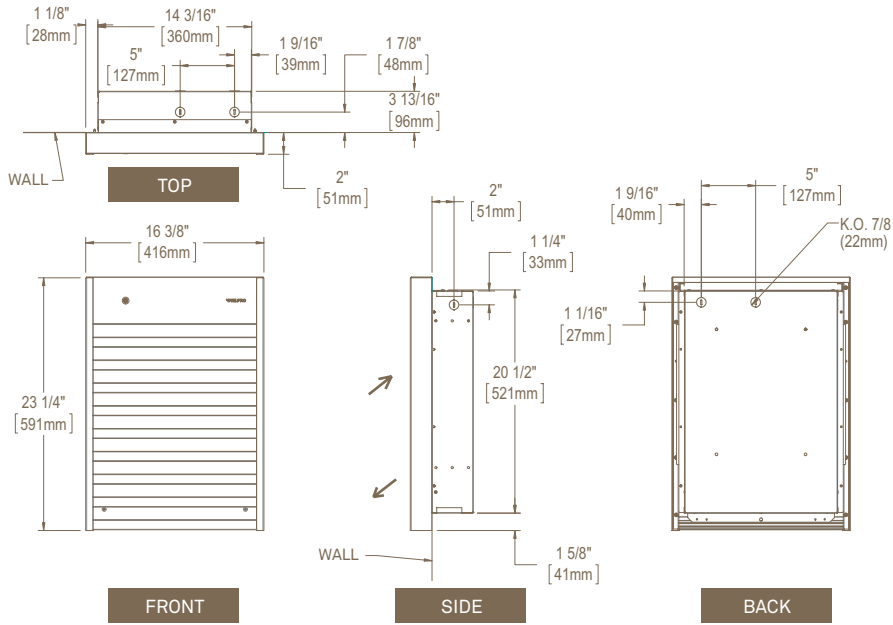
Add W for white or SW for soft white

* Three-phase unit

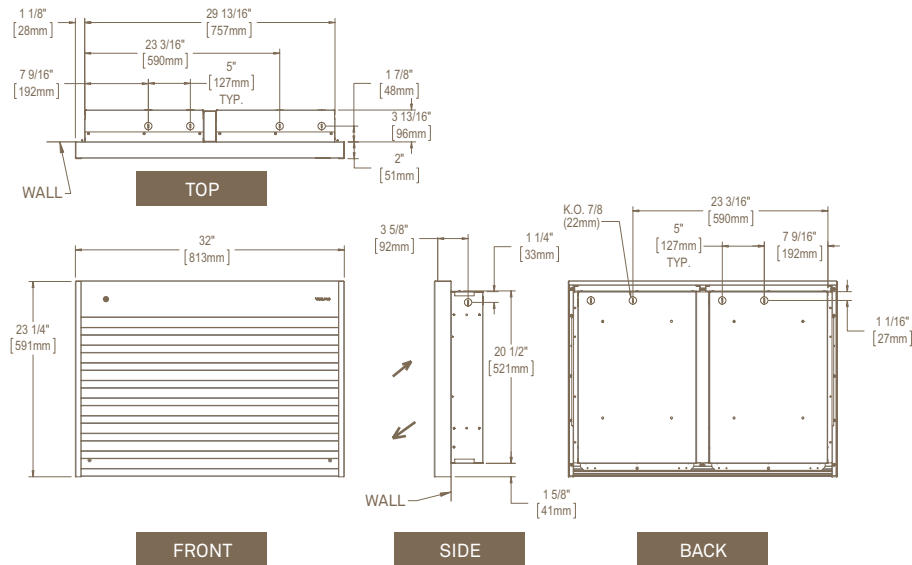
--- not available

TECHNICAL DRAWINGS

SINGLE UNIT



DOUBLE UNIT



TRIPLE UNIT

