

BALDOR® • RELIANCE

Product Information Packet

JMM4107T

25HP,3510RPM,3PH,60HZ,284JM,0942M,TEFC,F

Part Detail							
Revision:	H	Status:	INA/A	Change #:		Proprietary:	No
Type:	AC	Elec. Spec:	09WGY354	CD Diagram:	CD0180	Mfg Plant:	
Mech. Spec:	09F823	Layout:	09LYF823	Poles:	02	Created Date:	06-28-2010
Base:	RG	Eff. Date:	03-08-2016	Leads:	9#10		

Specs			
Catalog Number:	JMM4107T	Insulation Class:	F
Enclosure:	TEFC	Inverter Code:	Not Inverter
Frame:	284JM	KVA Code:	J
Frame Material:	Iron	Lifting Lugs:	Standard Lifting Lugs
Output @ Frequency:	25.000 HP @ 60 HZ	Locked Bearing Indicator:	Locked Bearing
Synchronous Speed @ Frequency:	3600 RPM @ 60 HZ	Motor Lead Quantity/Wire Size:	9 @ 10 AWG
Voltage @ Frequency:	230.0 V @ 60 HZ	Motor Lead Exit:	Ko Box
	460.0 V @ 60 HZ	Motor Lead Termination:	Flying Leads
XP Class and Group:	None	Motor Type:	0942M
XP Division:	Not Applicable	Mounting Arrangement:	F1
Agency Approvals:	UR	Power Factor:	91
	CSA	Product Family:	General Purpose
Auxillary Box:	No Auxillary Box	Pulley End Bearing Type:	Ball
Auxillary Box Lead Termination:	None	Pulley Face Code:	C-Face
Base Indicator:	Rigid	Pulley Shaft Indicator:	Tapped & Key
Bearing Grease Type:	Polyrex EM (-20F +300F)	Rodent Screen:	None
Blower:	None	Shaft Extension Location:	Pulley End
Current @ Voltage:	28.000 A @ 460.0 V	Shaft Ground Indicator:	No Shaft Grounding

	56.000 A @ 230.0 V	Shaft Rotation:	Reversible
	62.000 A @ 208.0 V	Shaft Slinger Indicator:	Shaft Slinger
Design Code:	A	Speed Code:	Single Speed
Drip Cover:	No Drip Cover	Motor Standards:	NEMA
Duty Rating:	CONT	Starting Method:	Direct on line
Feedback Device:	NO FEEDBACK	Thermal Device - Bearing:	None
Front Face Code:	Standard	Thermal Device - Winding:	None
Front Shaft Indicator:	None	Vibration Sensor Indicator:	No Vibration Sensor
Heater Indicator:	No Heater	Winding Thermal 1:	None
		Winding Thermal 2:	None

Nameplate NP1256L										
CAT.NO.	JMM4107T									
SPEC.	09F823Y354H1									
HP	25									
VOLTS	230/460									
AMP	56/28									
RPM	3510									
FRAME	284JM				HZ	60			PH	3
SER.F.	1.15		CODE	J	DES	A		CLASS	F	
NEMA-NOM-EFF	91		PF	91						
RATING	40C AMB-CONT									
CC	010A				USABLE AT 208V			62		
DE	6312				ODE	6208				
ENCL	TEFC		SN							

AC Induction Motor Performance Data

Record # 1969 - Typical performance - not guaranteed values

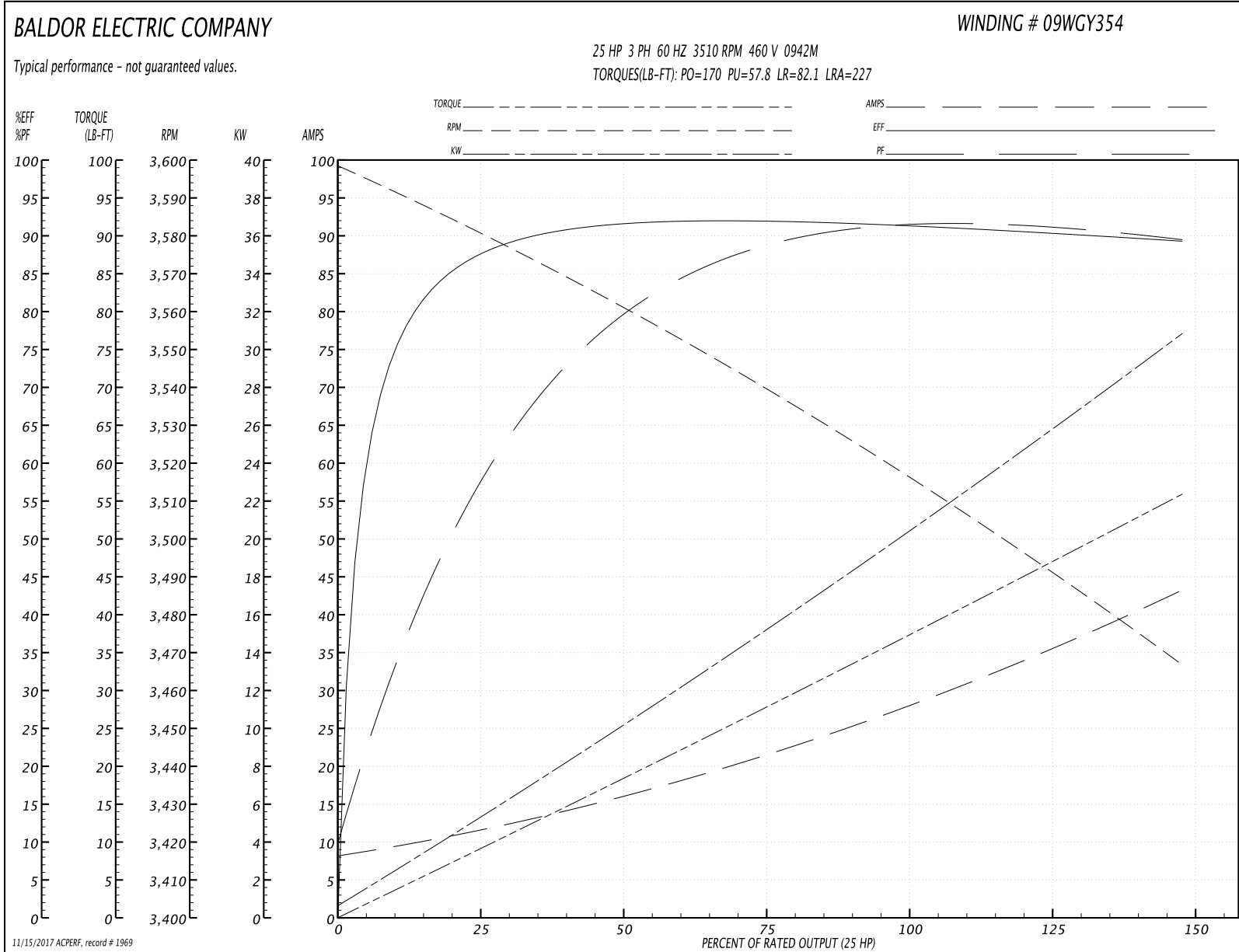
Winding: 09WGY354-R001	Type: 0942M	Enclosure: TEFC
-------------------------------	--------------------	------------------------

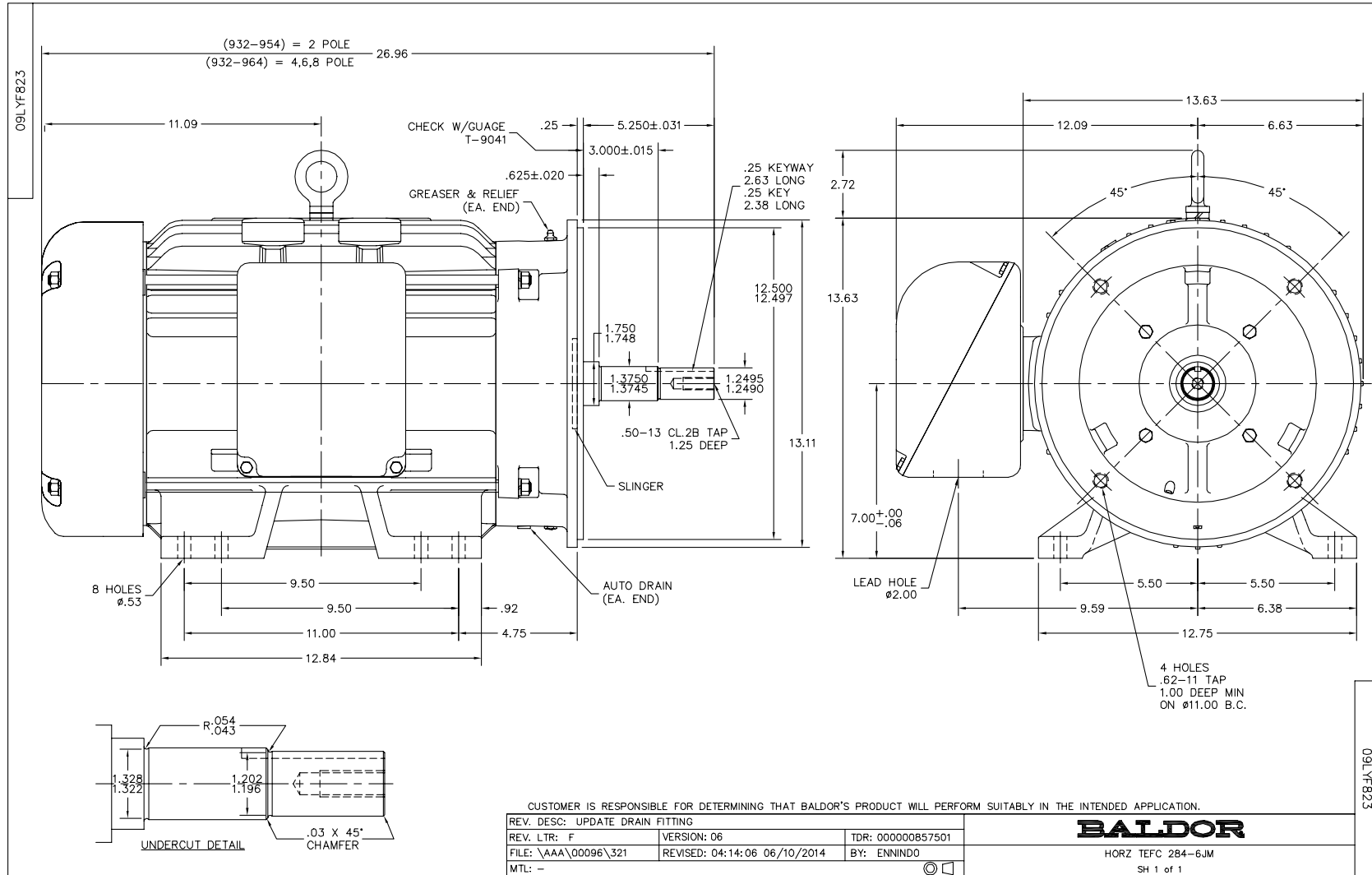
Nameplate Data				460 V, 60 Hz: High Voltage Connection	
Rated Output (HP)	25			Full Load Torque	37.3 LB-FT
Volts	230/460			Start Configuration	direct on line
Full Load Amps	56/28			Breakdown Torque	170 LB-FT
R.P.M.	3510			Pull-up Torque	57.8 LB-FT
Hz	60	Phase	3	Locked-rotor Torque	82.1 LB-FT
NEMA Design Code	A	KVA Code	J	Starting Current	227 A
Service Factor (S.F.)	1.15			No-load Current	8.62 A
NEMA Nom. Eff.	91	Power Factor	91	Line-line Res. @ 25°C	0.299 Ω
Rating - Duty	40C AMB-CONT			Temp. Rise @ Rated Load	80°C
S.F. Amps				Temp. Rise @ S.F. Load	98°C
				Locked-rotor Power Factor	28
				Rotor inertia	1.07 LB-FT ²

Load Characteristics 460 V, 60 Hz, 25 HP

% of Rated Load	25	50	75	100	125	150	S.F.
Power Factor	61	81	88	91	91	92	91
Efficiency	87.5	91.4	91.9	91.4	90.5	89.2	90.9
Speed	3580	3560	3539	3517	3493	3466	3503
Line amperes	11.04	15.91	21.82	28.3	35.4	43	32.6

Performance Graph at 460V, 60Hz, 25.0HP Typical performance - Not guaranteed values

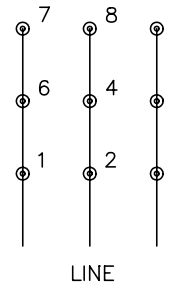




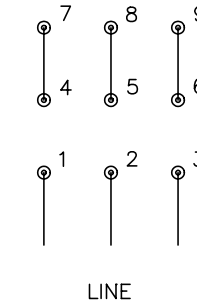
CD0180



LOW VOLTAGE
(2D)



HIGH VOLTAGE
(1D)



NOTES:

1. INTERCHANGE ANY TWO LINE LEADS TO REVERSE ROTATION.
2. OPTIONAL THERMOSTATS ARE PROVIDED WHEN SPECIFIED.
3. ACTUAL NUMBER OF INTERNAL PARALLEL CIRCUITS MAY BE A MULTIPLE OF THOSE SHOWN ABOVE.
4. LEAD COLORS ARE OPTIONAL. LEADS MUST ALWAYS BE NUMBERED AS SHOWN.

REV. DESC: REVISE TO SHOW OPTIONAL COLORS			
REV. LTR: C	BY: JLP	REVISED: 01/21/99 2:28	TDR: 0171435
0810D0		FILE: AAA00005148	MDL: -
		MTL: -	

BALDOR ELECTRIC Co.

3PH, DV, 9 LEADS, DELTA CONNECTION

CD0180