

BALDOR® • RELIANCE

Product Information Packet

VUHM3546T-5

1HP, 1750RPM, 3PH, 60HZ, 143TC, 3516M, TEFC, F3

| Part Detail | | | | | | | |
|-------------|--------|-------------|------------|-------------|--------|---------------|------------|
| Revision: | E | Status: | INA/A | Change #: | | Proprietary: | No |
| Type: | AC | Elec. Spec: | 35WGM295 | CD Diagram: | CD0006 | Mfg Plant: | |
| Mech. Spec: | 35W819 | Layout: | 35LYW819 | Poles: | 04 | Created Date: | 08-05-2012 |
| Base: | N | Eff. Date: | 03-08-2016 | Leads: | 3#18 | | |

| Specs | | | |
|---------------------------------|-------------------------|--------------------------------|--------------------|
| Catalog Number: | VUHM3546T-5 | Inverter Code: | Not Inverter |
| Enclosure: | TEFC | KVA Code: | M |
| Frame: | 143TC | Lifting Lugs: | No Lifting Lugs |
| Frame Material: | Steel | Locked Bearing Indicator: | Locked Bearing |
| Output @ Frequency: | 1.000 HP @ 60 HZ | Motor Lead Quantity/Wire Size: | 3 @ 18 AWG |
| Synchronous Speed @ Frequency: | 1800 RPM @ 60 HZ | Motor Lead Exit: | Ko Box |
| Voltage @ Frequency: | 575.0 V @ 60 HZ | Motor Lead Termination: | Flying Leads |
| XP Class and Group: | None | Motor Type: | 3516M |
| XP Division: | Not Applicable | Mounting Arrangement: | F3 |
| Agency Approvals: | CE | Power Factor: | 73 |
| | CSA | Product Family: | General Purpose |
| | UR | Pulley End Bearing Type: | Ball |
| Auxillary Box: | No Auxillary Box | Pulley Face Code: | C-Face |
| Auxillary Box Lead Termination: | None | Pulley Shaft Indicator: | Standard |
| Base Indicator: | No Mounting | Rodent Screen: | None |
| Bearing Grease Type: | Polyrex EM (-20F +300F) | Shaft Extension Location: | Pulley End |
| Blower: | None | Shaft Ground Indicator: | No Shaft Grounding |
| Current @ Voltage: | 1.300 A @ 575.0 V | Shaft Rotation: | Reversible |

| | | | |
|---------------------------------------|---------------------------|------------------------------------|---------------------|
| Design Code: | B | Shaft Slinger Indicator: | No Slinger |
| Drip Cover: | No Drip Cover | Speed Code: | Single Speed |
| Duty Rating: | CONT | Motor Standards: | NEMA |
| Electrically Isolated Bearing: | Not Electrically Isolated | Starting Method: | Direct on line |
| Feedback Device: | NO FEEDBACK | Thermal Device - Bearing: | None |
| Front Face Code: | Standard | Thermal Device - Winding: | None |
| Front Shaft Indicator: | None | Vibration Sensor Indicator: | No Vibration Sensor |
| Heater Indicator: | No Heater | Winding Thermal 1: | None |
| Insulation Class: | F | Winding Thermal 2: | None |

| Nameplate NP1372L | | | | | | | | | | | |
|-------------------|--------------|--|--|--|--|------|------|-----|----------------|----|---|
| CAT.NO. | VUHM3546T-5 | | | | | | | | | | |
| SPEC. | 35W819M295H1 | | | | | | | | | | |
| HP | 1 | | | | | | | | | | |
| VOLTS | 575 | | | | | | | | | | |
| AMP | 1.3 | | | | | | | | | | |
| RPM | 1750 | | | | | | | | | | |
| FRAME | 143TC | | | | | HZ | 60 | | PH | 3 | |
| SER.F. | 1.15 | | | | | CODE | M | DES | B | CL | F |
| NEMA-NOM-EFF | 82.5 | | | | | PF | 73 | | | | |
| RATING | 40C AMB-CONT | | | | | | | | | | |
| CC | 010A | | | | | | | | USABLE AT 208V | | |
| DE | 6205 | | | | | ODE | 6203 | | | | |
| ENCL | TEFC | | | | | SN | | | | | |
| | IP44 | | | | | | | | | | |

AC Induction Motor Performance Data

Record # 35308 - Typical performance - not guaranteed values

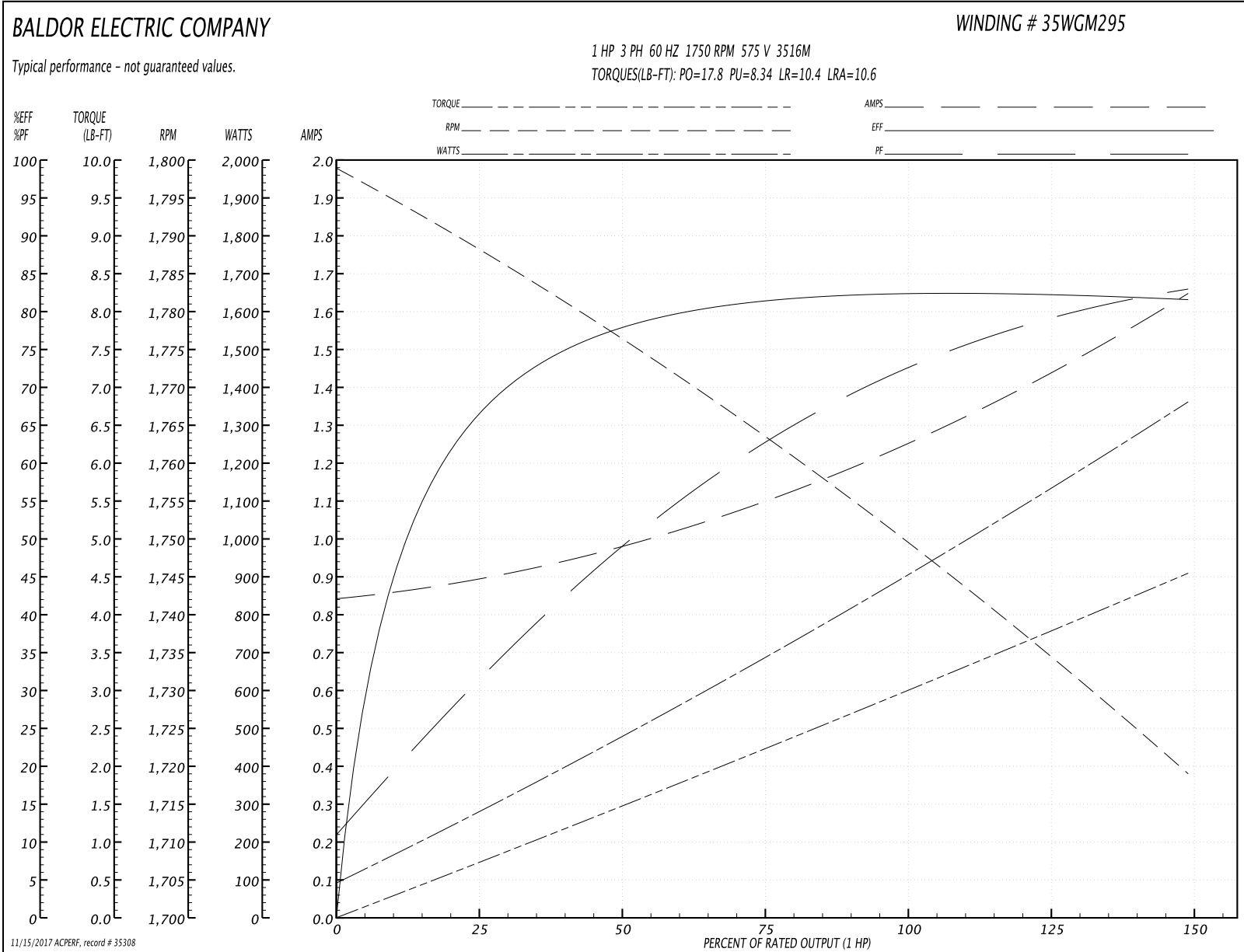
| | | |
|-------------------------------|--------------------|------------------------|
| Winding: 35WGM295-R004 | Type: 3516M | Enclosure: TEFC |
|-------------------------------|--------------------|------------------------|

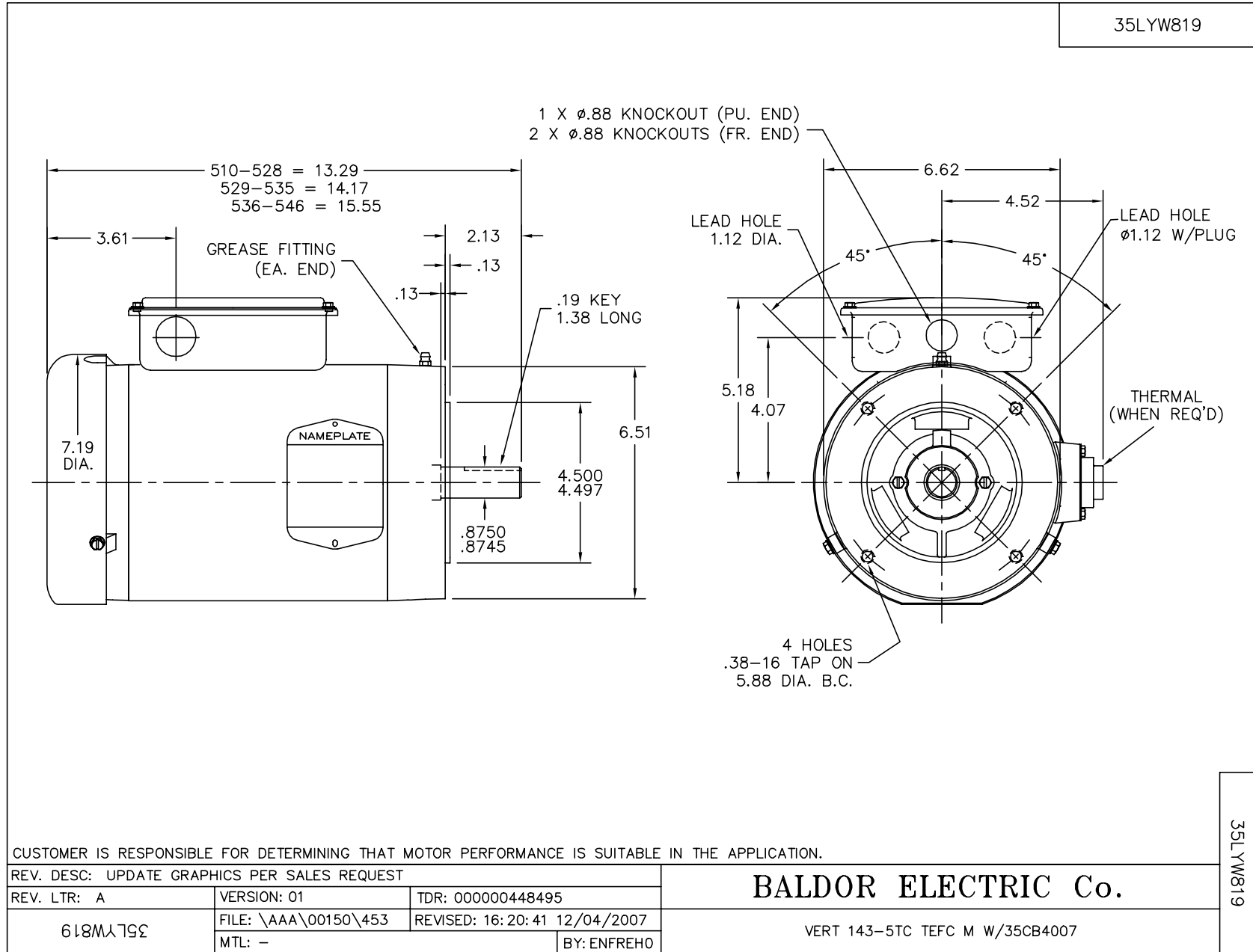
| Nameplate Data | | | | 575 V, 60 Hz: Single Voltage Motor | |
|-----------------------|--------------|--------------|----|---------------------------------------|---------------------------|
| Rated Output (HP) | 1 | | | Full Load Torque | 2.99 LB-FT |
| Volts | 575 | | | Start Configuration | direct on line |
| Full Load Amps | 1.3 | | | Breakdown Torque | 17.8 LB-FT |
| R.P.M. | 1750 | | | Pull-up Torque | 8.34 LB-FT |
| Hz | 60 | Phase | 3 | Locked-rotor Torque | 10.4 LB-FT |
| NEMA Design Code | B | KVA Code | M | Starting Current | 10.6 A |
| Service Factor (S.F.) | 1.15 | | | No-load Current | 0.843 A |
| NEMA Nom. Eff. | 82.5 | Power Factor | 73 | Line-line Res. @ 25°C | 25.7 Ω |
| Rating - Duty | 40C AMB-CONT | | | Temp. Rise @ Rated Load | 41°C |
| S.F. Amps | | | | Temp. Rise @ S.F. Load | 47°C |
| | | | | Locked-rotor Power Factor | 64 |
| | | | | Rotor inertia | 0.0946 LB-FT ² |

Load Characteristics 575 V, 60 Hz, 1 HP

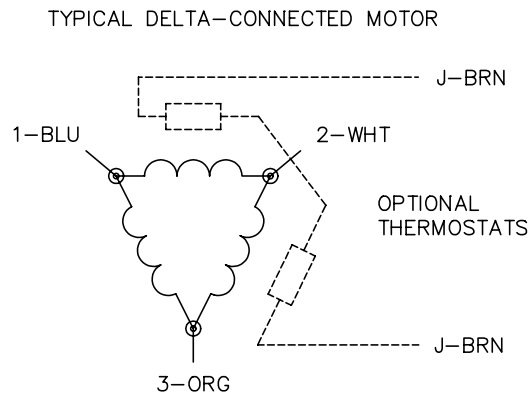
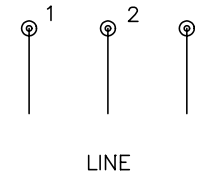
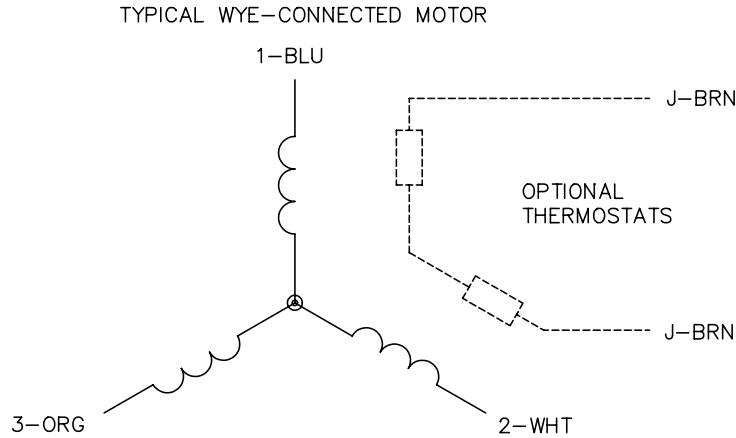
| % of Rated Load | 25 | 50 | 75 | 100 | 125 | 150 | S.F. |
|-----------------|-------|------|------|------|------|------|------|
| Power Factor | 32 | 50 | 62 | 72 | 79 | 83 | 76 |
| Efficiency | 66.4 | 77.9 | 81.3 | 82.5 | 82.5 | 81.5 | 82.5 |
| Speed | 1788 | 1776 | 1764 | 1750 | 1735 | 1719 | 1741 |
| Line amperes | 0.899 | 0.97 | 1.1 | 1.26 | 1.42 | 1.65 | 1.36 |

Performance Graph at 575V, 60Hz, 1.0HP Typical performance - Not guaranteed values





CD0006



NOTES:

1. THREE LEAD MOTOR MAY BE EITHER WYE CONNECTED OR DELTA CONNECTED.
2. INTERCHANGE ANY TWO LINE LEADS TO REVERSE ROTATION.
3. OPTIONAL THERMOSTATS ARE PROVIDED WHEN SPECIFIED.
4. ACTUAL NUMBER OF INTERNAL PARALLEL CIRCUITS MAY VARY.
5. LEAD COLORS ARE OPTIONAL. LEADS MUST BE NUMBERED AS SHOWN.

| | | | |
|---|---------|------------------------|--------------|
| REV. DESC: REVISE TO SHOW OPTIONAL COLORS | | | |
| REV. LTR: D | BY: JLP | REVISED: 01/21/99 4:02 | TDR: 0171435 |
| 9000D | | FILE: AAA00005141 | MDL: - |
| | | MTL: - | |

BALDOR ELECTRIC Co.

3PH, SV, 3 LEADS, WYE OR DELTA CONNECTED

CD0006