

BALDOR® • ***RELIANCE***

Product Information Packet

L1322T

2HP,1725RPM,1PH,60HZ,145T,3532LC,OPEN,F1

Part Detail							
Revision:	H	Status:	PRD/A	Change #:		Proprietary:	No
Type:	AC	Prod. Type:	3532LC	Elec. Spec:	35WGX966	CD Diagram:	CD0016A01
Enclosure:	OPEN	Mfg Plant:		Mech. Spec:	35EE002	Layout:	35LYEE002
Frame:	145T	Mounting:	F1	Poles:	04	Created Date:	12-22-2009
Base:	RG	Rotation:	R	Insulation:	B	Eff. Date:	08-10-2015
Leads:	4#14 A PH,3#18 B PH					Replaced By:	
Literature:		Elec. Diagram:					

Nameplate NP1256L							
CAT.NO.	L1322T						
SPEC.	35EE002X966						
HP	2						
VOLTS	115/208-230						
AMP	20.4/10.3-10.2						
RPM	1725						
FRAME	145T	HZ	60	PH	1		
SER.F.	1.15	CODE	J	DES	L	CLASS	B
NEMA-NOM-EFF	75.5	PF	85				
RATING	40C AMB-CONT						
CC		USABLE AT 208V					
DE	6205	ODE	6203				
ENCL	OPEN	SN					

AC Induction Motor Performance Data

Record # 36884 - Typical performance - not guaranteed values

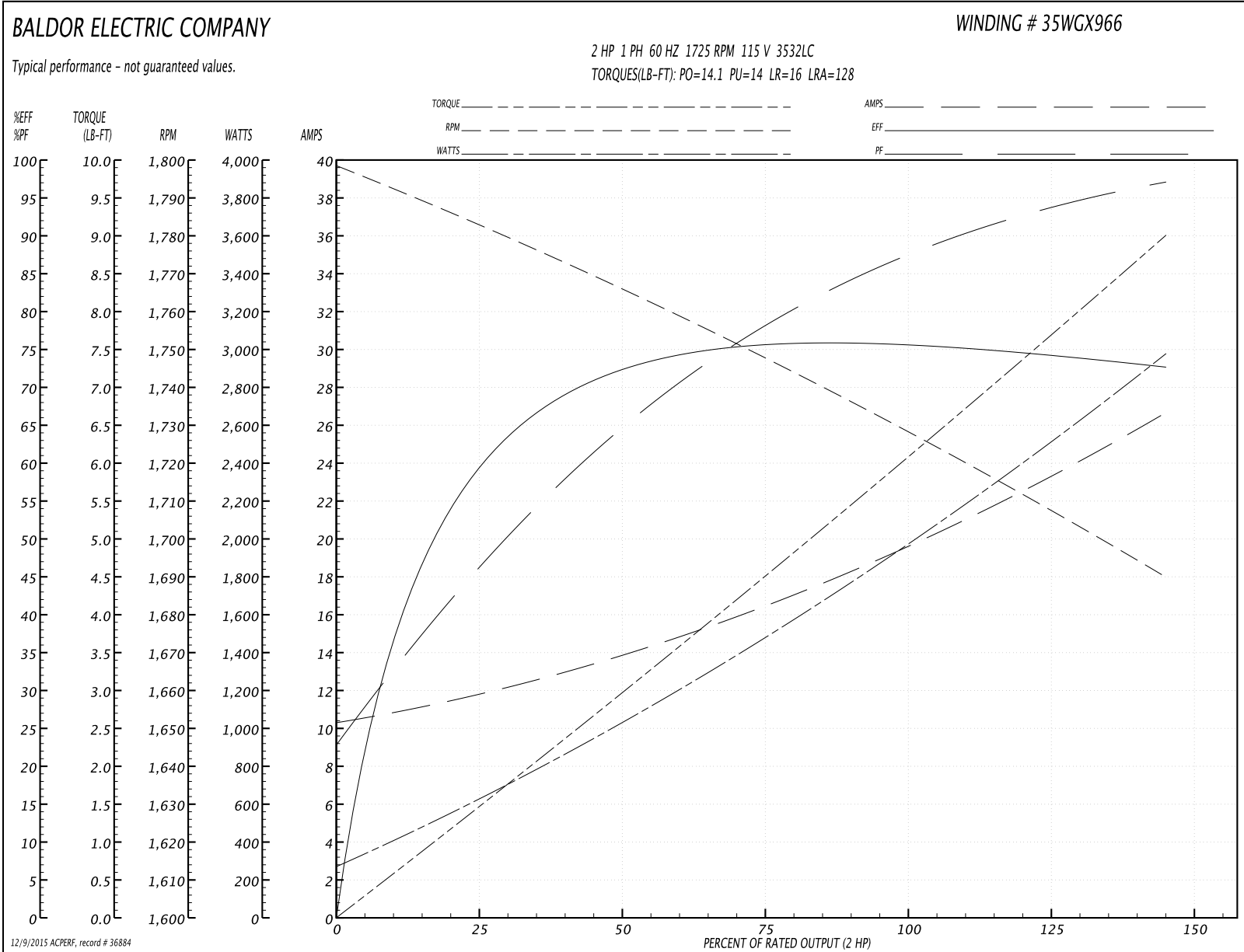
Winding: 35WGX966-R004	Type: 3532LC	Enclosure: OPEN
-------------------------------	---------------------	------------------------

Nameplate Data				115 V, 60 Hz: Low Voltage Connection	
Rated Output (HP)	2			Full Load Torque	6 LB-FT
Volts	115/208-230			Start Configuration	direct on line
Full Load Amps	20.4/10.3-10.2			Breakdown Torque	14.1 LB-FT
R.P.M.	1725			Pull-up Torque	14 LB-FT
Hz	60	Phase	1	Locked-rotor Torque	16 LB-FT
NEMA Design Code	L	KVA Code	J	Starting Current	128 A
Service Factor (S.F.)	1.15			No-load Current	10.8 A
NEMA Nom. Eff.	75.5	Power Factor	85	Line-line Res. @ 25°C	0.34 Ω A Ph 1.11 Ω B Ph
Rating - Duty	40C AMB-CONT			Temp. Rise @ Rated Load	68°C
S.F. Amps				Temp. Rise @ S.F. Load	80°C

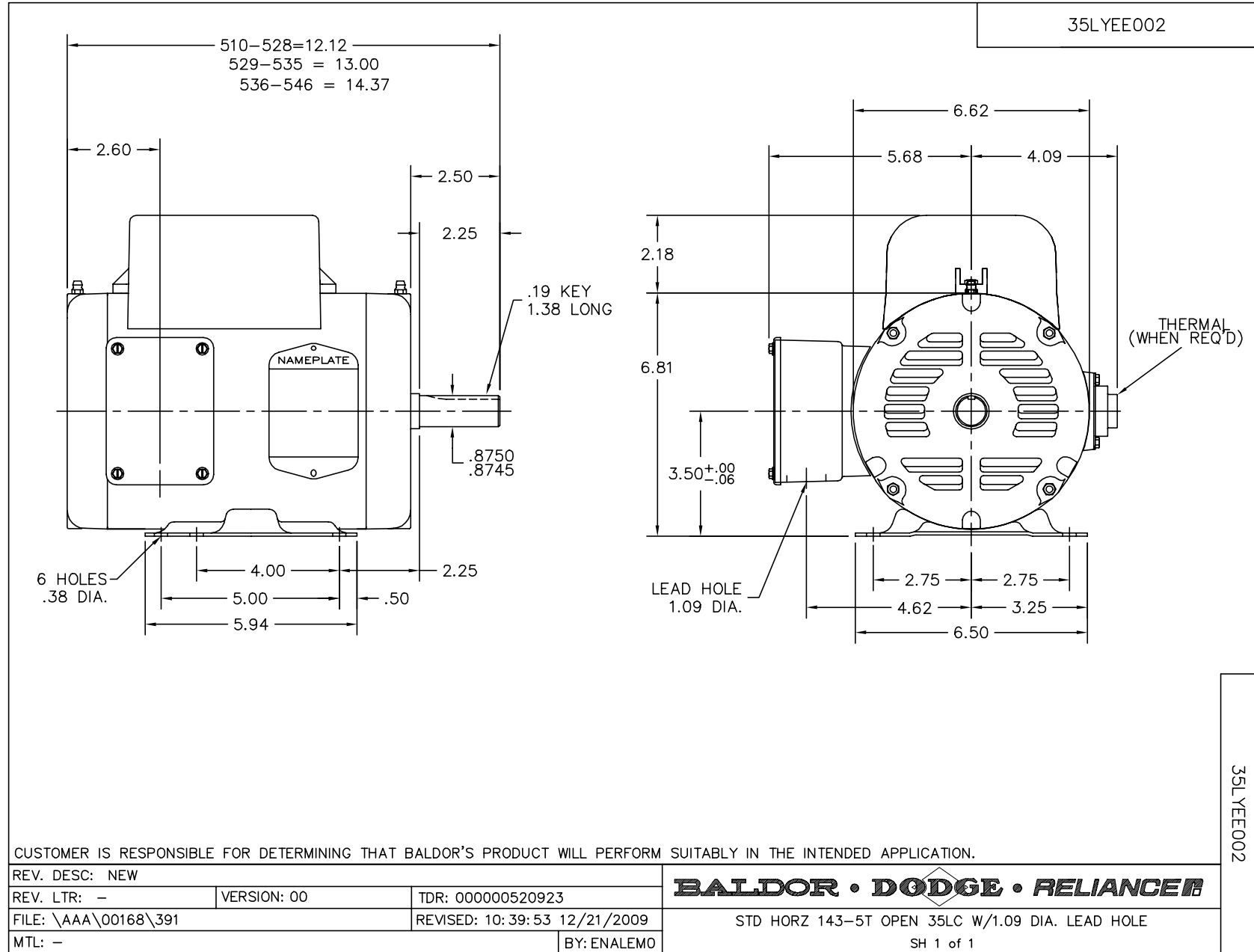
Load Characteristics 115 V, 60 Hz, 2 HP

% of Rated Load	25	50	75	100	125	150	S.F.
Power Factor	50	67	79	85	89	100	87
Efficiency	58	73.1	75.8	75.9	74.2	72.7	74.9
Speed	1782	1767	1750	1729	1705	1693	1715
Line amperes	11.4	13.4	16.2	19.8	24	25.8	22.3

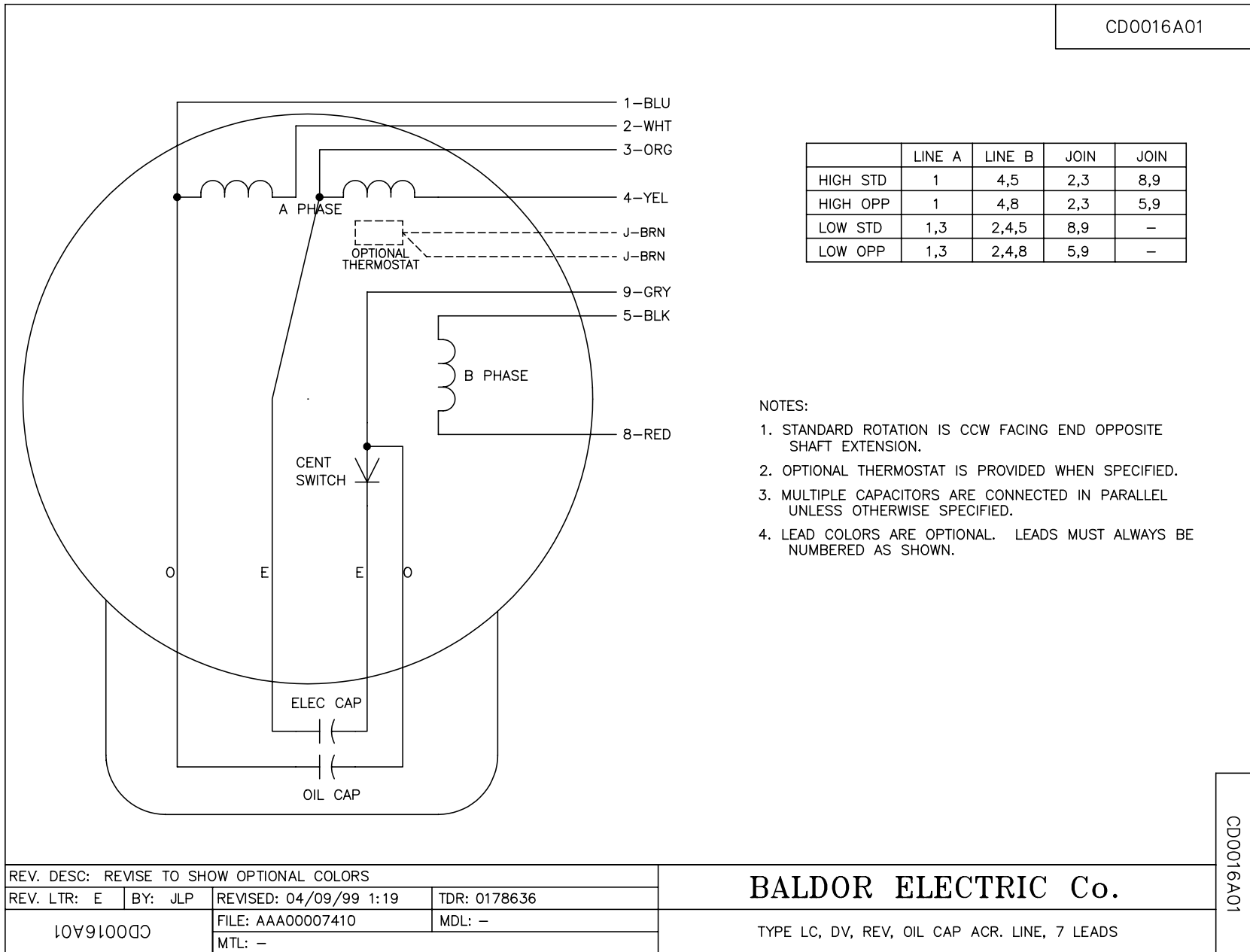
Performance Graph at 115V, 60Hz, 2.0HP Typical performance - Not guaranteed values



12/9/2015 ACPERF, record # 36884



CD0016A01



	LINE A	LINE B	JOIN	JOIN
HIGH STD	1	4,5	2,3	8,9
HIGH OPP	1	4,8	2,3	5,9
LOW STD	1,3	2,4,5	8,9	-
LOW OPP	1,3	2,4,8	5,9	-

NOTES:

1. STANDARD ROTATION IS CCW FACING END OPPOSITE SHAFT EXTENSION.
2. OPTIONAL THERMOSTAT IS PROVIDED WHEN SPECIFIED.
3. MULTIPLE CAPACITORS ARE CONNECTED IN PARALLEL UNLESS OTHERWISE SPECIFIED.
4. LEAD COLORS ARE OPTIONAL. LEADS MUST ALWAYS BE NUMBERED AS SHOWN.

REV. DESC: REVISE TO SHOW OPTIONAL COLORS			
REV. LTR: E	BY: JLP	REVISED: 04/09/99 1:19	TDR: 0178636
CD0016A01		FILE: AAA00007410	MDL: -
		MTL: -	

BALDOR ELECTRIC Co.

TYPE LC, DV, REV, OIL CAP ACR. LINE, 7 LEADS

CD0016A01