

# **BALDOR**® • **RELIANCE**

## **Product Information Packet**

# **L1509T**

**7.5HP,3450RPM,1PH,60HZ,213T,3640LC,OPEN**

Part Detail							
Revision:	U	Status:	PRD/A	Change #:		Proprietary:	No
Type:	AC	Elec. Spec:	36WGY373	CD Diagram:	CD0017A02	Mfg Plant:	
Mech. Spec:	36H282	Layout:	36LYH282	Poles:	02	Created Date:	
Base:	RG	Eff. Date:	09-10-2015	Leads:	2#10 A PH,2#16 B PH		

Specs			
Catalog Number:	L1509T	Inverter Code:	Not Inverter
Enclosure:	ODTF	KVA Code:	H
Frame:	213T	Lifting Lugs:	No Lifting Lugs
Frame Material:	Steel	Locked Bearing Indicator:	No Locked Bearing
Output @ Frequency:	7.500 HP @ 60 HZ	Motor Lead Quantity/Wire Size:	2 @ 10 AWG, A PH
Synchronous Speed @ Frequency:	3600 RPM @ 60 HZ	Motor Lead Exit:	Ko Box
Voltage @ Frequency:	230.0 V @ 60 HZ	Motor Lead Termination:	Flying Leads
XP Class and Group:	None	Motor Type:	3640LC
XP Division:	Not Applicable	Mounting Arrangement:	F1
Agency Approvals:	CSA	Power Factor:	96
	UR	Product Family:	General Purpose
Auxillary Box:	No Auxillary Box	Pulley End Bearing Type:	Ball
Auxillary Box Lead Termination:	None	Pulley Face Code:	Standard
Base Indicator:	Rigid	Pulley Shaft Indicator:	Standard
Bearing Grease Type:	Polyrex EM (-20F +300F)	Rodent Screen:	None
Blower:	None	Shaft Extension Location:	Pulley End
Current @ Voltage:	30.000 A @ 230.0 V	Shaft Ground Indicator:	No Shaft Grounding
	33.000 A @ 208.0 V	Shaft Rotation:	Reversible

<b>Design Code:</b>	L	<b>Shaft Slinger Indicator:</b>	No Slinger
<b>Drip Cover:</b>	Drip Cover	<b>Speed Code:</b>	Single Speed
<b>Duty Rating:</b>	CONT	<b>Motor Standards:</b>	NEMA
<b>Electrically Isolated Bearing:</b>	Not Electrically Isolated	<b>Starting Method:</b>	Direct on line
<b>Feedback Device:</b>	NO FEEDBACK	<b>Thermal Device - Bearing:</b>	None
<b>Front Face Code:</b>	Standard	<b>Thermal Device - Winding:</b>	None
<b>Front Shaft Indicator:</b>	None	<b>Vibration Sensor Indicator:</b>	No Vibration Sensor
<b>Heater Indicator:</b>	No Heater	<b>Winding Thermal 1:</b>	None
<b>Insulation Class:</b>	F	<b>Winding Thermal 2:</b>	None

Nameplate NP1256L										
CAT.NO.	L1509T									
SPEC.	36H282Y373G2									
HP	7.5									
VOLTS	230									
AMP	30									
RPM	3450									
FRAME	213T				HZ	60			PH	1
SER.F.	1.15		CODE	H	DES	L		CLASS	F	
NEMA-NOM-EFF	82.5		PF	96						
RATING	40C AMB-CONT									
CC								USABLE AT 208V	33	
DE	6207				ODE	6205				
ENCL	ODTF		SN							

**AC Induction Motor Performance Data**

Record # 23623 - Typical performance - not guaranteed values

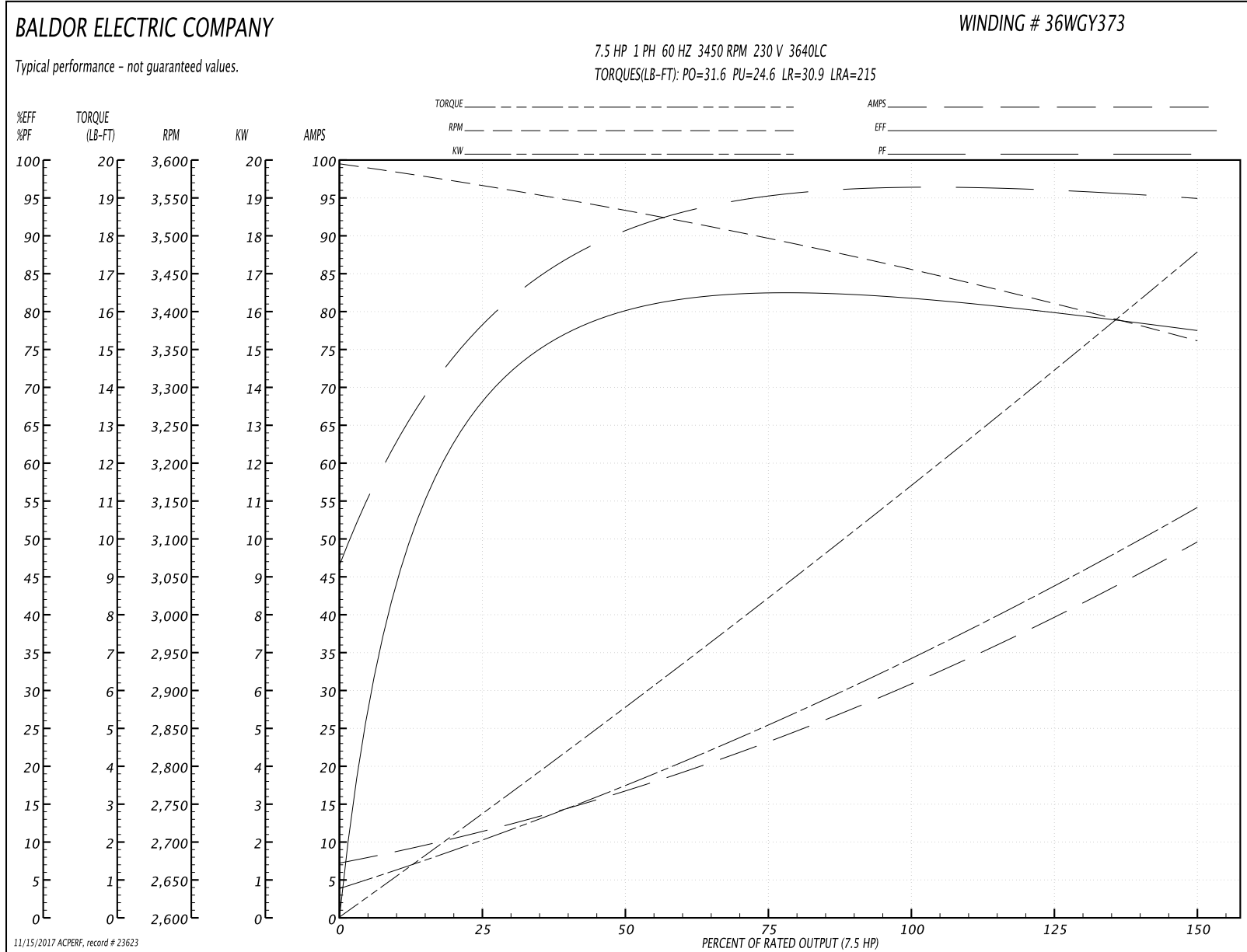
<b>Winding:</b> 36WGY373-R003	<b>Type:</b> 3640LC	<b>Enclosure:</b> OPAO
-------------------------------	---------------------	------------------------

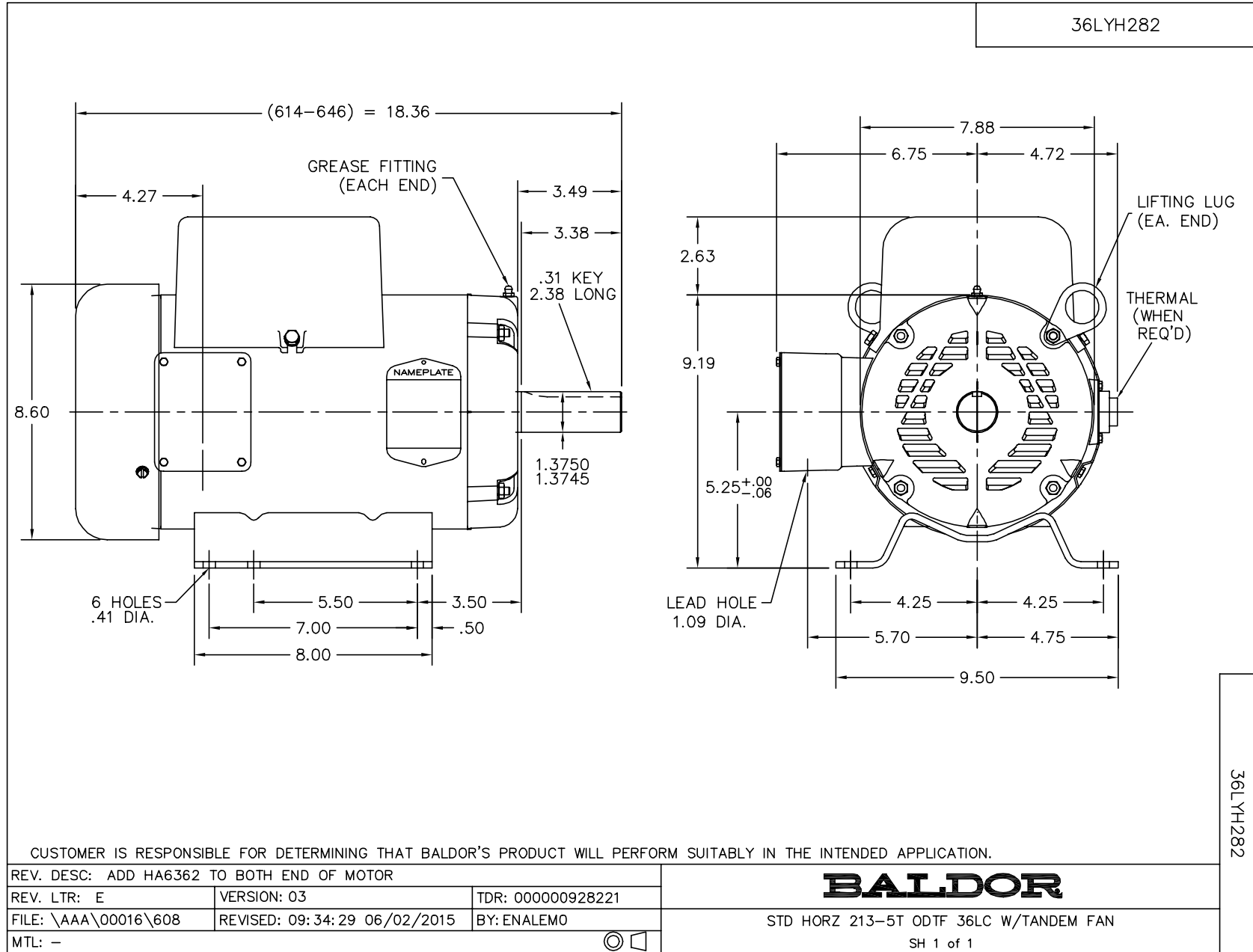
Nameplate Data				230 V, 60 Hz: Single Voltage Motor	
Rated Output (HP)	7.5			Full Load Torque	11.4 LB-FT
Volts	208-230			Start Configuration	direct on line
Full Load Amps	33-30			Breakdown Torque	31.6 LB-FT
R.P.M.	3450			Pull-up Torque	24.6 LB-FT
Hz	60	Phase	1	Locked-rotor Torque	30.9 LB-FT
NEMA Design Code	L	KVA Code	H	Starting Current	215 A
Service Factor (S.F.)	1.15			No-load Current	7.35 A
NEMA Nom. Eff.	82.5	Power Factor	96	Line-line Res. @ 25°C	0.25 Ω A Ph 0.881 Ω B Ph
Rating - Duty	40C AMB-CONT			Temp. Rise @ Rated Load	60°C
S.F. Amps				Temp. Rise @ S.F. Load	74°C

Load Characteristics 230 V, 60 Hz, 7.5 HP

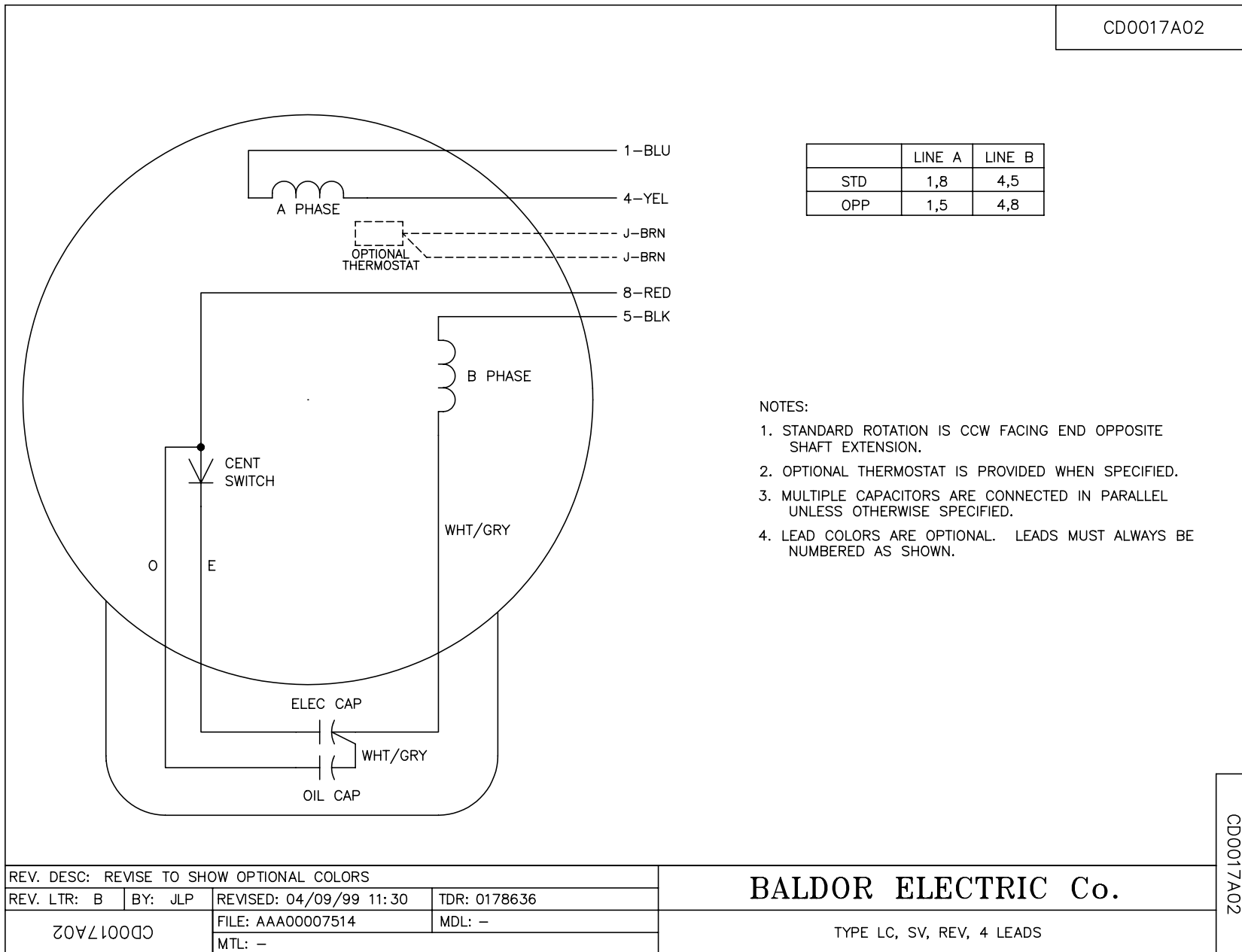
% of Rated Load	25	50	75	100	125	150	S.F.
Power Factor	82	92	94	96	96	96	96
Efficiency	65.8	78.7	82.9	82	80.4	77.2	81
Speed	3562	3531	3498	3458	3413	3358	3431
Line amperes	11.1	16.7	23.3	31.1	39.6	49.7	36.2

Performance Graph at 230V, 60Hz, 7.5HP Typical performance - Not guaranteed values





CD0017A02



CD0017A02

REV. DESC: REVISE TO SHOW OPTIONAL COLORS			
REV. LTR: B	BY: JLP	REVISED: 04/09/99 11:30	TDR: 0178636
CD0017A02		FILE: AAA00007514	MDL: -
		MTL: -	

**BALDOR ELECTRIC Co.**

TYPE LC, SV, REV, 4 LEADS