

BALDOR® • ***RELIANCE***

Product Information Packet

VEJMM3313T

10HP,1770RPM,3PH,60HZ,215JM,3742M,ODP,F1

Part Detail							
Revision:	E	Status:	PRD/A	Change #:		Proprietary:	No
Type:	AC	Elec. Spec:	37WGT853	CD Diagram:	CD0005	Mfg Plant:	
Mech. Spec:	37N905	Layout:	37LYN905	Poles:	04	Created Date:	07-18-2016
Base:	N	Eff. Date:	04-26-2017	Leads:	9#14		

Specs			
Catalog Number:	VEJMM3313T	Insulation Class:	F
Enclosure:	ODP	Inverter Code:	Inverter Ready
Frame:	215JM	KVA Code:	H
Frame Material:	Steel	Lifting Lugs:	Standard Lifting Lugs
Output @ Frequency:	10.000 HP @ 60 HZ	Locked Bearing Indicator:	Locked Bearing
Synchronous Speed @ Frequency:	1800 RPM @ 60 HZ	Motor Lead Quantity/Wire Size:	9 @ 14 AWG
Voltage @ Frequency:	460.0 V @ 60 HZ	Motor Lead Exit:	Ko Box
	230.0 V @ 60 HZ	Motor Lead Termination:	Flying Leads
XP Class and Group:	None	Motor Type:	3742M
XP Division:	Not Applicable	Mounting Arrangement:	F1
Agency Approvals:	UR	Power Factor:	82
	CSA EEV	Product Family:	General Purpose
	CSA	Pulley End Bearing Type:	Ball
Auxillary Box:	No Auxillary Box	Pulley Face Code:	C-Face
Auxillary Box Lead Termination:	None	Pulley Shaft Indicator:	Tapped & Key
Base Indicator:	No Mounting	Rodent Screen:	Included
Bearing Grease Type:	Polyrex EM (-20F +300F)	RoHS Status:	ROHS COMPLIANT
Blower:	None	Shaft Extension Location:	Pulley End

Current @ Voltage:	12.500 A @ 460.0 V	Shaft Ground Indicator:	No Shaft Grounding
	25.000 A @ 230.0 V	Shaft Rotation:	Reversible
	26.000 A @ 208.0 V	Shaft Slinger Indicator:	Shaft Slinger
Design Code:	B	Speed Code:	Single Speed
Drip Cover:	Drip Cover	Motor Standards:	NEMA
Duty Rating:	CONT	Starting Method:	Direct on line
Electrically Isolated Bearing:	Not Electrically Isolated	Thermal Device - Bearing:	None
Feedback Device:	NO FEEDBACK	Thermal Device - Winding:	None
Front Face Code:	Drip Cover Mounting	Vibration Sensor Indicator:	No Vibration Sensor
Front Shaft Indicator:	None	Winding Thermal 1:	None
Heater Indicator:	No Heater	Winding Thermal 2:	None

Nameplate NP1259L										
CAT.NO.	VEJMM3313T									
SPEC.	37N905T853G1									
HP	10									
VOLTS	230/460									
AMP	25/12.5									
RPM	1770									
FRAME	215JM				HZ	60			PH	3
SER.F.	1.15		CODE	H	DES	B		CL	F	
NEMA-NOM-EFF	91.7		PF	82						
RATING	40C AMB-CONT									
CC	010A				USABLE AT 208V			26		
DE	6309				ODE	6206				
ENCL	ODP		SN							

AC Induction Motor Performance Data

Record # 58178 - Typical performance - not guaranteed values

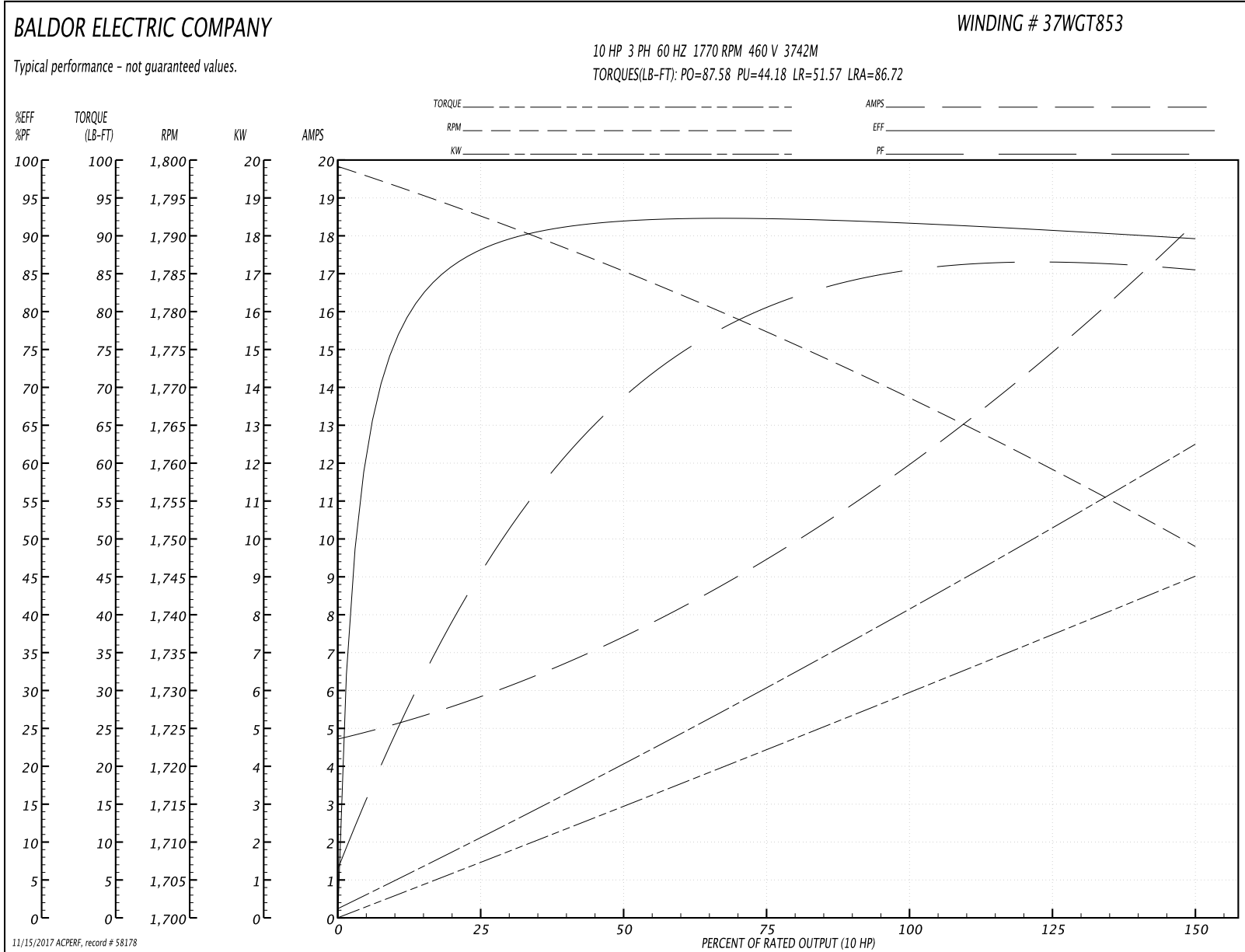
Winding: 37WGT853-R028	Type: 3742M	Enclosure: ODP
-------------------------------	--------------------	-----------------------

Nameplate Data				460 V, 60 Hz: High Voltage Connection	
Rated Output (HP)	10			Full Load Torque	29.7 LB-FT
Volts	230/460			Start Configuration	direct on line
Full Load Amps	25/12.5			Breakdown Torque	87.58 LB-FT
R.P.M.	1770			Pull-up Torque	44.18 LB-FT
Hz	60	Phase	3	Locked-rotor Torque	51.57 LB-FT
NEMA Design Code	B	KVA Code	H	Starting Current	86.72 A
Service Factor (S.F.)	1.15			No-load Current	4.91 A
NEMA Nom. Eff.	91.7	Power Factor	82	Line-line Res. @ 25°C	1.18 Ω
Rating - Duty	40C AMB-CONT			Temp. Rise @ Rated Load	34°C
S.F. Amps				Temp. Rise @ S.F. Load	43°C
				Locked-rotor Power Factor	37.9
				Rotor inertia	1.03 LB-FT ²

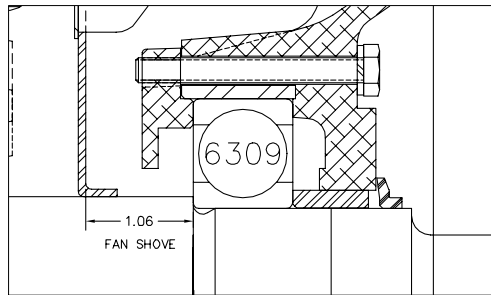
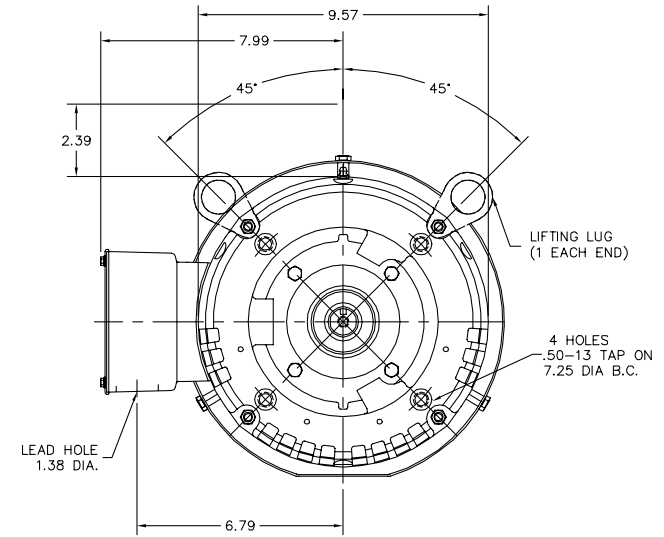
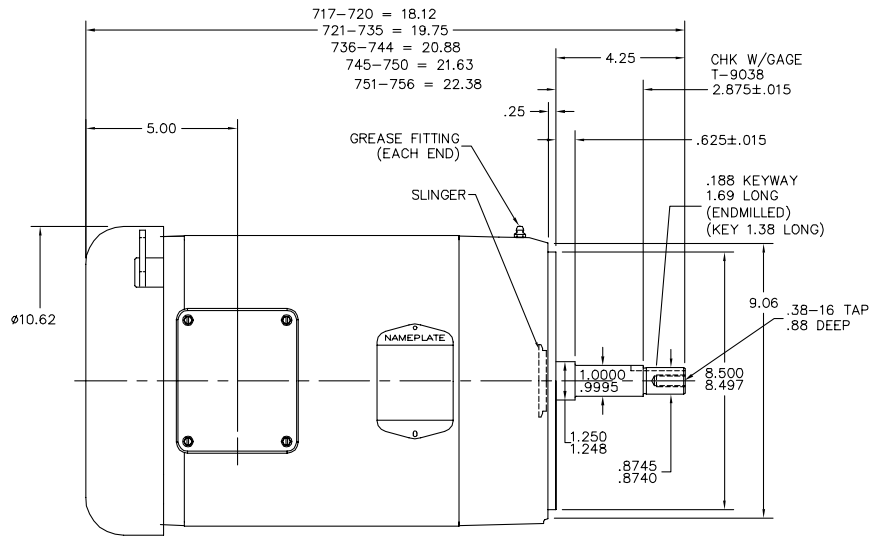
Load Characteristics 460 V, 60 Hz, 10 HP

% of Rated Load	25	50	75	100	125	150	S.F.
Power Factor	48	70	80	84	86	86	83
Efficiency	87.7	91.8	92.2	91.7	90.8	89.5	91.4
Speed	1793	1785	1777	1769	1759	1749	1763
Line amperes	5.6	7.31	9.53	12.15	15	18.24	14.2

Performance Graph at 460V, 60Hz, 10.0HP Typical performance - Not guaranteed values



37LYN905



PULLEY END DETAIL

CUSTOMER IS RESPONSIBLE FOR DETERMINING THAT BALDOR'S PRODUCT WILL PERFORM SUITABLY IN THE INTENDED APPLICATION.

REV. DESC: REPLACE ENDPLATES			TDR: 000001018975
REV. LTR: B	VERSION: 02		
FILE: \AAA\00228\020	REVISED: 01:06:59 03/30/2017	BY: USZAHAR	
MTL: -			

BALDOR

VER 213-5JM OPEN 37M W/DRIP COVER,SCREENS,VERT LIFT,(NO FAN)

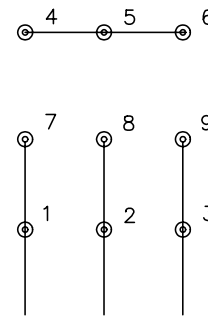
SH 1 of 1

37LYN905

CD0005

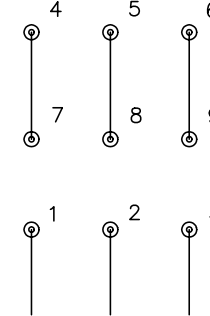


LOW VOLTAGE
(2Y)



LINE

HIGH VOLTAGE
(1Y)



LINE

NOTES:

1. INTERCHANGE ANY TWO LINE LEADS TO REVERSE ROTATION.
2. OPTIONAL THERMOSTATS ARE PROVIDED WHEN SPECIFIED.
3. ACTUAL NUMBER OF INTERNAL PARALLEL CIRCUITS MAY BE A MULTIPLE OF THOSE SHOWN ABOVE.
4. LEAD COLORS ARE OPTIONAL. LEADS MUST ALWAYS BE NUMBERED AS SHOWN.

REV. DESC: REVISE TO SHOW OPTIONAL COLORS			
REV. LTR: E	BY: JLP	REVISED: 01/19/99 10:15	TDR: 0171435
90000		FILE: AAA00005140	MDL: -
		MTL: -	

BALDOR ELECTRIC Co.

3PH, DV, 9 LEADS

CD0005