

# **BALDOR**® • ***RELIANCE***

## **Product Information Packet**

# **EM3314T-G**

**15HP,3500RPM,3PH,60HZ,215T,3734M,OPSB,F1**

Part Detail							
Revision:	P	Status:	PRD/A	Change #:		Proprietary:	No
Type:	AC	Elec. Spec:	37WGS867	CD Diagram:	CD0005	Mfg Plant:	
Mech. Spec:	37J839	Layout:	37LYJ839	Poles:	02	Created Date:	12-14-2011
Base:	RG	Eff. Date:	07-19-2017	Leads:	9#14		

Specs			
Catalog Number:	EM3314T-G	Insulation Class:	H
Enclosure:	OPSB	Inverter Code:	Inverter Ready
Frame:	215T	KVA Code:	G
Frame Material:	Steel	Lifting Lugs:	Standard Lifting Lugs
Output @ Frequency:	15.000 HP @ 60 HZ	Locked Bearing Indicator:	Locked Bearing
Synchronous Speed @ Frequency:	3600 RPM @ 60 HZ	Motor Lead Quantity/Wire Size:	9 @ 14 AWG
Voltage @ Frequency:	460.0 V @ 60 HZ	Motor Lead Exit:	Ko Box
	230.0 V @ 60 HZ	Motor Lead Termination:	Flying Leads
XP Class and Group:	None	Motor Type:	3734M
XP Division:	Not Applicable	Mounting Arrangement:	F1
Agency Approvals:	CSA	Power Factor:	89
	CSA EEV	Product Family:	General Purpose
	UR	Pulley End Bearing Type:	Ball
Auxillary Box:	No Auxillary Box	Pulley Face Code:	Standard
Auxillary Box Lead Termination:	None	Pulley Shaft Indicator:	Standard
Base Indicator:	Rigid	Rodent Screen:	None
Bearing Grease Type:	Polyrex EM (-20F +300F)	Shaft Extension Location:	Pulley End
Blower:	None	Shaft Ground Indicator:	Shaft Grounding

<b>Current @ Voltage:</b>	17.500 A @ 460.0 V	<b>Shaft Rotation:</b>	Reversible
	35.000 A @ 230.0 V	<b>Shaft Slinger Indicator:</b>	No Slinger
<b>Design Code:</b>	B	<b>Speed Code:</b>	Single Speed
<b>Drip Cover:</b>	No Drip Cover	<b>Motor Standards:</b>	NEMA
<b>Duty Rating:</b>	CONT	<b>Starting Method:</b>	Direct on line
<b>Electrically Isolated Bearing:</b>	Not Electrically Isolated	<b>Thermal Device - Bearing:</b>	None
<b>Feedback Device:</b>	NO FEEDBACK	<b>Thermal Device - Winding:</b>	None
<b>Front Face Code:</b>	Standard	<b>Vibration Sensor Indicator:</b>	No Vibration Sensor
<b>Front Shaft Indicator:</b>	None	<b>Winding Thermal 1:</b>	None
<b>Heater Indicator:</b>	No Heater	<b>Winding Thermal 2:</b>	None

<b>Nameplate NP3553L</b>											
<b>CAT.NO.</b>	EM3314T-G										
<b>SPEC</b>	37J839S867G1										
<b>HP</b>	15										
<b>VOLTS</b>	230/460										
<b>AMPS</b>	35/17.5										
<b>RPM</b>	3500										
<b>FRAME</b>	215T					<b>HZ</b>	60			<b>PH</b>	3
<b>SF</b>	1.15			<b>CODE</b>	G	<b>DES</b>	B		<b>CLASS</b>	H	
<b>NEMA NOM. EFF</b>	90.2			<b>PF</b>	89						
<b>RATING</b>	40C AMB-CONT										
<b>CC</b>	010A					<b>USABLE AT 208V</b>					
<b>ENCL</b>	OPSB			<b>SER</b>							
<b>DE</b>	6307				<b>ODE</b>	6206					
<b>VPWM INVERTER READY</b>											
<b>CT30-60(2:1) VT3-60(20:1)</b>											

**AC Induction Motor Performance Data**

Record # 48209 - Typical performance - not guaranteed values

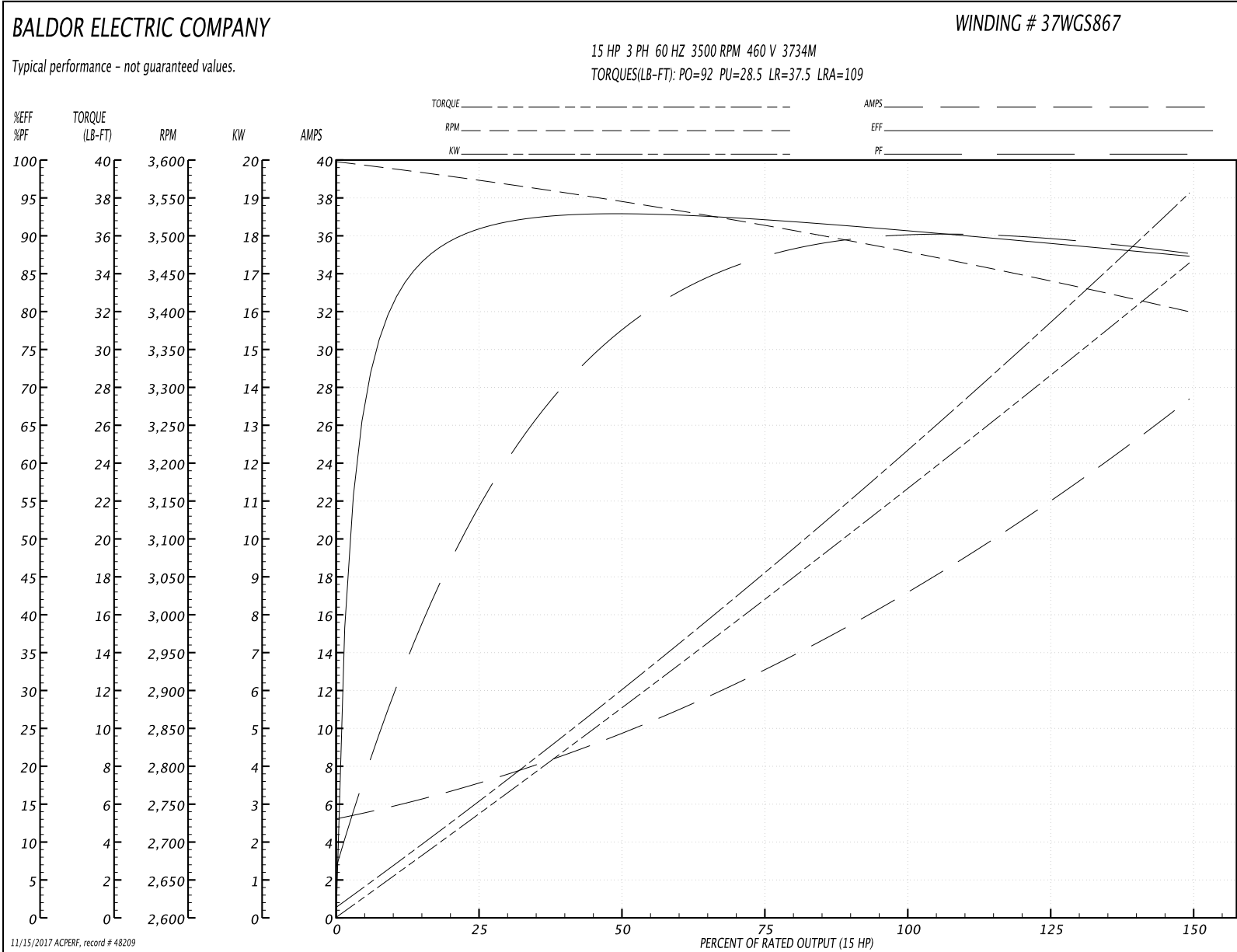
<b>Winding:</b> 37WGS867-R002	<b>Type:</b> 3734M	<b>Enclosure:</b> OPSB
-------------------------------	--------------------	------------------------

Nameplate Data				460 V, 60 Hz: High Voltage Connection	
Rated Output (HP)	15			Full Load Torque	22.6 LB-FT
Volts	230/460			Start Configuration	direct on line
Full Load Amps	35/17.5			Breakdown Torque	92 LB-FT
R.P.M.	3500			Pull-up Torque	28.5 LB-FT
Hz	60	Phase	3	Locked-rotor Torque	37.5 LB-FT
NEMA Design Code	B	KVA Code	G	Starting Current	109 A
Service Factor (S.F.)	1.15			No-load Current	5.49 A
NEMA Nom. Eff.	90.2	Power Factor	89	Line-line Res. @ 25°C	0.675 Ω
Rating - Duty	40C AMB-CONT			Temp. Rise @ Rated Load	46°C
S.F. Amps				Temp. Rise @ S.F. Load	58°C
				Locked-rotor Power Factor	32.8
				Rotor inertia	0.31 LB-FT <sup>2</sup>

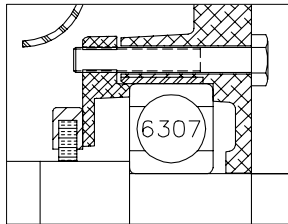
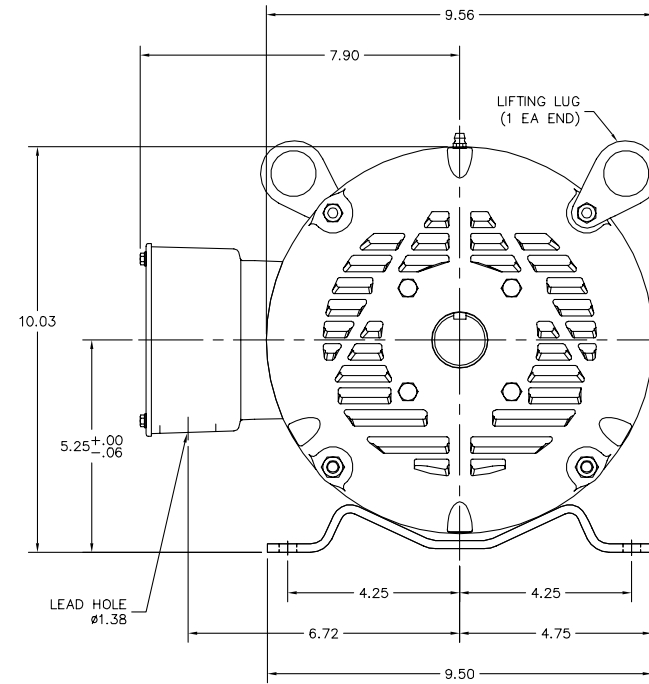
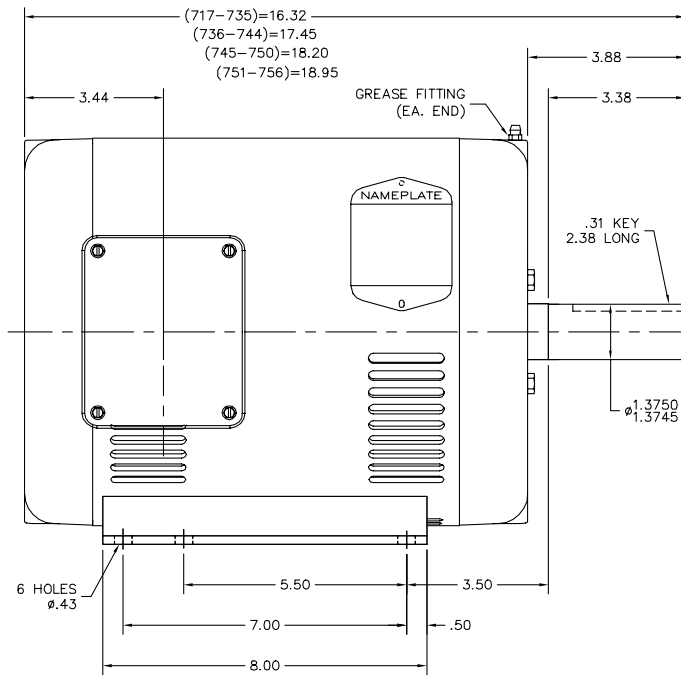
Load Characteristics 460 V, 60 Hz, 15 HP

% of Rated Load	25	50	75	100	125	150	S.F.
Power Factor	58	78	86	89	89	88	89
Efficiency	90.3	92.5	92.1	90.8	89.4	87.2	90
Speed	3572	3545	3515	3480	3441	3399	3457
Line amperes	6.69	9.59	13.2	17.3	22	27.3	20.1

Performance Graph at 460V, 60Hz, 15.0HP Typical performance - Not guaranteed values



37LYJ839



PU END DETAIL

CUSTOMER IS RESPONSIBLE FOR DETERMINING THAT BALDOR'S PRODUCT WILL PERFORM SUITABLY IN THE INTENDED APPLICATION.

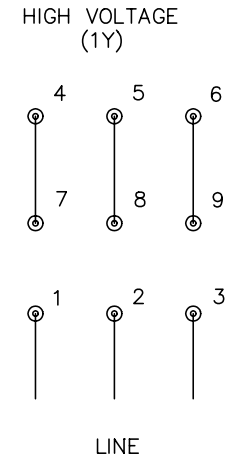
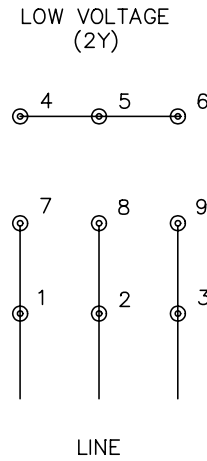
REV. DESC: NEW	VERSION: 00	TDR: 000000553350
REV. LTR: -	REVISED: 01:15:32 08/26/2010	BY: ENWINBO
FILE: \AAA\00174\569		
MTL: -		

**BALDOR**

HOR 213-5T OPSB M, AEGIS INT SHAFT GND  
SH 1 of 1

37LYJ839

CD0005



NOTES:

1. INTERCHANGE ANY TWO LINE LEADS TO REVERSE ROTATION.
2. OPTIONAL THERMOSTATS ARE PROVIDED WHEN SPECIFIED.
3. ACTUAL NUMBER OF INTERNAL PARALLEL CIRCUITS MAY BE A MULTIPLE OF THOSE SHOWN ABOVE.
4. LEAD COLORS ARE OPTIONAL. LEADS MUST ALWAYS BE NUMBERED AS SHOWN.

REV. DESC: REVISE TO SHOW OPTIONAL COLORS			
REV. LTR: E	BY: JLP	REVISED: 01/19/99 10:15	TDR: 0171435
900003		FILE: AAA00005140	MDL: -
		MTL: -	

**BALDOR ELECTRIC Co.**

3PH, DV, 9 LEADS

CD0005