

BALDOR® • *RELIANCE*

Product Information Packet

JM3555

2HP,3450RPM,3PH,60HZ,56J,3524M,TEFC,F1

Part Detail							
Revision:	AH	Status:	PRD/A	Change #:		Proprietary:	No
Type:	AC	Prod. Type:	3524M	Elec. Spec:	35WGW728	CD Diagram:	CD0005
Enclosure:	TEFC	Mfg Plant:		Mech. Spec:	35F084	Layout:	35LYF084
Frame:	56J	Mounting:	F1	Poles:	02	Created Date:	06-21-2007
Base:	N	Rotation:	R	Insulation:	B	Eff. Date:	04-02-2015
Leads:	9#18					Replaced By:	
Literature:		Elec. Diagram:					

Nameplate NP1256L							
CAT.NO.	JM3555						
SPEC.	35F84W728						
HP	2						
VOLTS	230/460						
AMP	5.4/2.7						
RPM	3450						
FRAME	56J	HZ	60	PH	3		
SER.F.	1.20	CODE	K	DES	B	CLASS	B
NEMA-NOM-EFF	80	PF	87				
RATING	40C AMB-CONT						
CC		USABLE AT 208V	7				
DE	6205	ODE	6203				
ENCL	TEFC	SN					
	SFA 6.6/3.3						

AC Induction Motor Performance Data
Record # 9869 - Typical performance - not guaranteed values

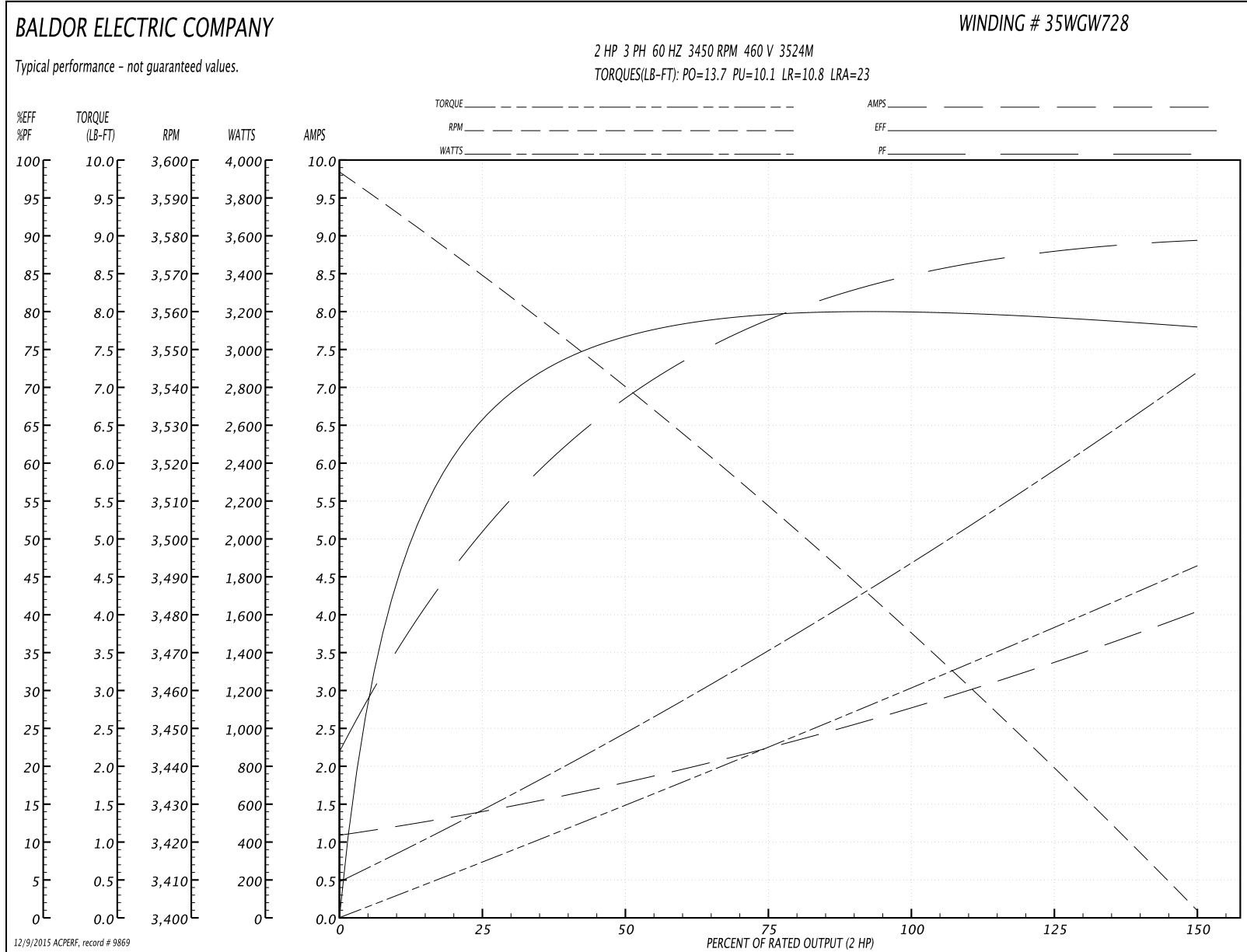
Winding: 35WGW728-R005	Type: 3524M	Enclosure: TEFC
-------------------------------	--------------------	------------------------

Nameplate Data				460 V, 60 Hz: High Voltage Connection	
Rated Output (HP)	2			Full Load Torque	3.1 LB-FT
Volts	230/460			Start Configuration	direct on line
Full Load Amps	5.4/2.7			Breakdown Torque	13.7 LB-FT
R.P.M.	3450			Pull-up Torque	10.1 LB-FT
Hz	60	Phase	3	Locked-rotor Torque	10.8 LB-FT
NEMA Design Code	B	KVA Code	K	Starting Current	23 A
Service Factor (S.F.)	1.2			No-load Current	1.12 A
NEMA Nom. Eff.	80	Power Factor	87	Line-line Res. @ 25°C	7.8 Ω
Rating - Duty	40C AMB-CONT			Temp. Rise @ Rated Load	62°C
S.F. Amps	6.6/3.3			Temp. Rise @ S.F. Load	76°C
				Rotor inertia	0.0664 LB-FT ²

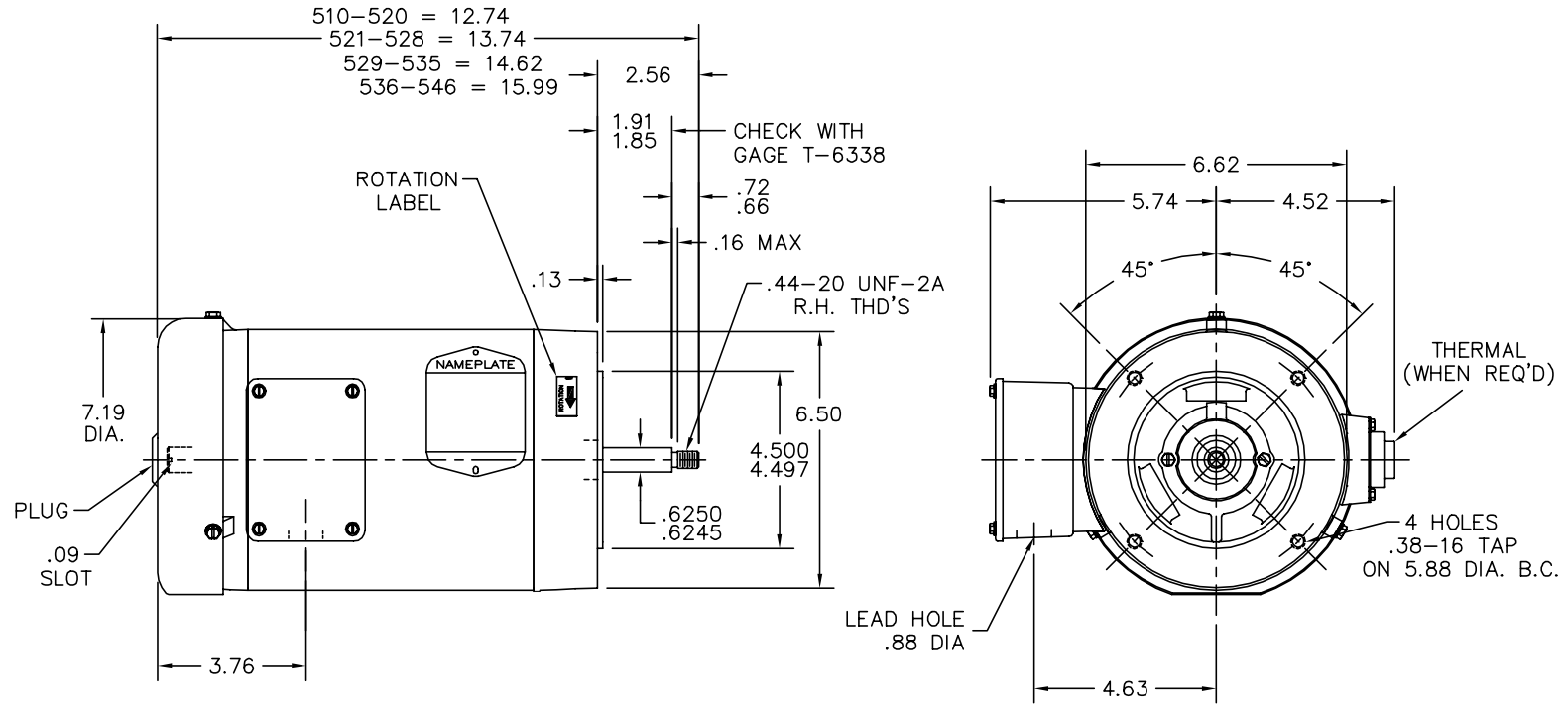
Load Characteristics 460 V, 60 Hz, 2 HP

% of Rated Load	25	50	75	100	125	150	S.F.
Power Factor	56	73	80	84	86	88	86
Efficiency	66	77	80	80	79	78	79.2
Speed	3568	3534	3508	3472	3440	3400	3446
Line amperes	1.36	1.84	2.28	2.86	3.39	4.04	3.28

Performance Graph at 460V, 60Hz, 2.0HP Typical performance - Not guaranteed values



35LYF084



CUSTOMER IS RESPONSIBLE FOR DETERMINING THAT BALDOR'S PRODUCT WILL PERFORM SUITABLY IN THE INTENDED APPLICATION.

REV. DESC: UPDATE PARTS, ADD/FIX DIMS & STANDARIZE DESC.		
REV. LTR: S	VERSION: 03	TDR: 000000876757
FILE: \AAA\00008\273	REVISED: 12:50:40 10/23/2014	BY: ENMAIYO
MTL: -	Ⓢ Ⓜ	

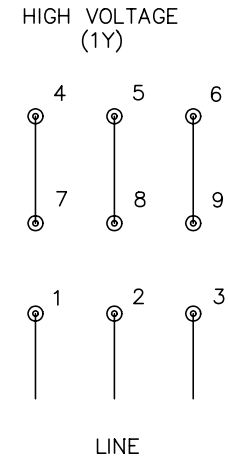
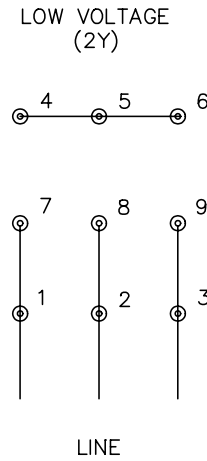
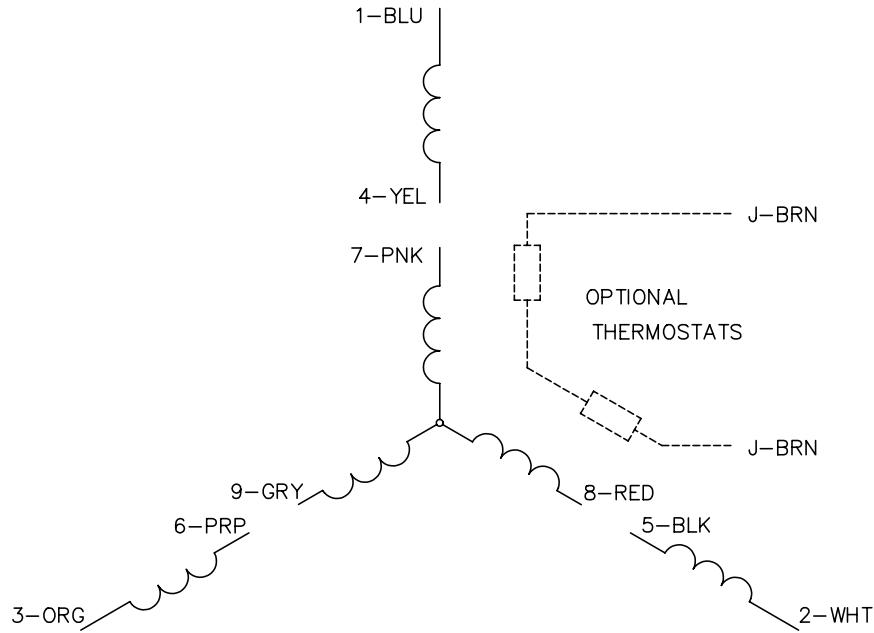
BALDOR

STD VERT 56J TEFC 35M

SH 1 of 1

35LYF084

CD0005



NOTES:

1. INTERCHANGE ANY TWO LINE LEADS TO REVERSE ROTATION.
2. OPTIONAL THERMOSTATS ARE PROVIDED WHEN SPECIFIED.
3. ACTUAL NUMBER OF INTERNAL PARALLEL CIRCUITS MAY BE A MULTIPLE OF THOSE SHOWN ABOVE.
4. LEAD COLORS ARE OPTIONAL. LEADS MUST ALWAYS BE NUMBERED AS SHOWN.

REV. DESC: REVISE TO SHOW OPTIONAL COLORS			
REV. LTR: E	BY: JLP	REVISED: 01/19/99 10:15	TDR: 0171435
900000		FILE: AAA00005140	MDL: -
		MTL: -	

BALDOR ELECTRIC Co.

3PH, DV, 9 LEADS

CD0005