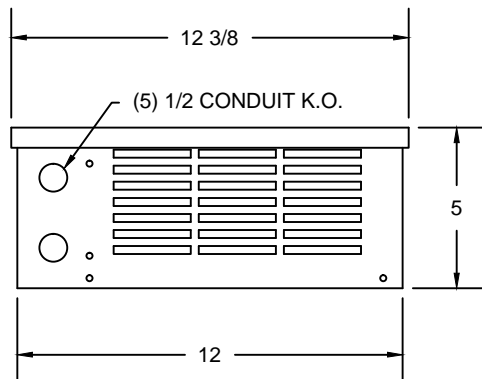
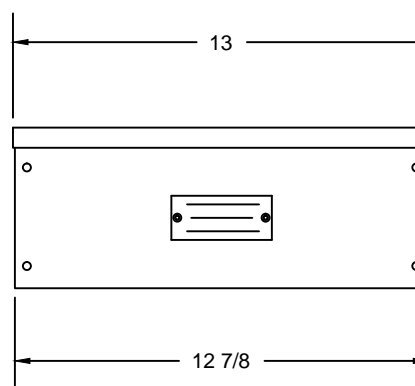


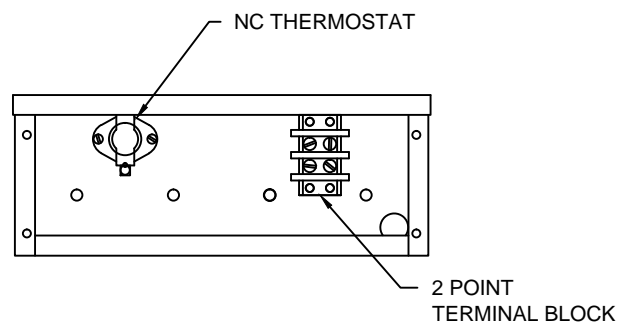
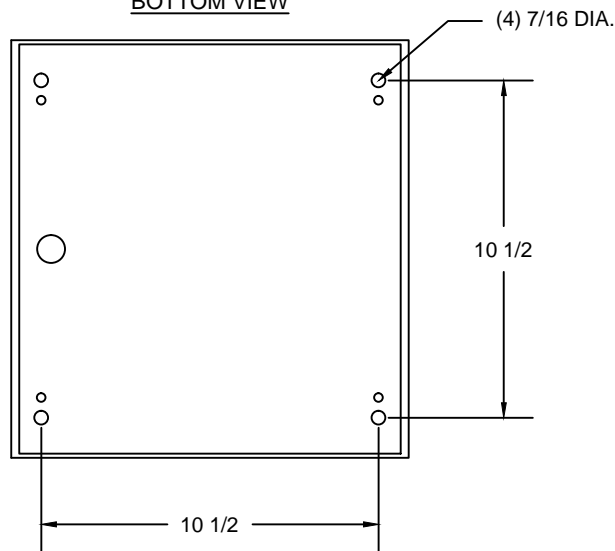
FRONT VIEW



SIDE VIEW



BOTTOM VIEW



GENERAL NOTES:

- A. ALL DIMENSIONS ARE IN INCHES.
- B. FINISH: MILL GALVANIZED



5713 13TH STREET
KATY, TEXAS 77493
PHONE: (800) 838-4694

TEXT

GCE ENCLOSURE: SIZE 4

DWG. NO.

GCE4

REV.

0

SHEET

1 of 1

DRAWN BY

RAO

CHCK'D BY

DATE

00/00/00

SIZE

A