

BALDOR® • RELIANCE

Product Information Packet

VECP3581T-4

1HP, 1765RPM, 3PH, 60HZ, 143TC, 0524M, TEFC, F1

Part Detail							
Revision:	N	Status:	PRD/A	Change #:		Proprietary:	No
Type:	AC	Elec. Spec:	05WGW751	CD Diagram:	CD0006	Mfg Plant:	
Mech. Spec:	05F006	Layout:	05LYF006	Poles:	04	Created Date:	02-20-2011
Base:	N	Eff. Date:	10-23-2017	Leads:	3#18		

Specs			
Catalog Number:	VECP3581T-4	Insulation Class:	F
Enclosure:	TEFC	Inverter Code:	Inverter Ready
Frame:	143TC	KVA Code:	N
Frame Material:	Iron	Lifting Lugs:	No Lifting Lugs
Output @ Frequency:	1.000 HP @ 60 HZ	Locked Bearing Indicator:	Locked Bearing
Synchronous Speed @ Frequency:	1800 RPM @ 60 HZ	Motor Lead Quantity/Wire Size:	3 @ 18 AWG
Voltage @ Frequency:	460.0 V @ 60 HZ	Motor Lead Exit:	Ko Box
XP Class and Group:	None	Motor Lead Termination:	Flying Leads
XP Division:	Division II	Motor Type:	0524M
Agency Approvals:	CSA EEV	Mounting Arrangement:	F1
	UR	Power Factor:	70
	CSA	Product Family:	Chemical Processing (Not DC)
	CCSA US	Pulley End Bearing Type:	Ball
Auxillary Box:	No Auxillary Box	Pulley Face Code:	C-Face
Auxillary Box Lead Termination:	None	Pulley Shaft Indicator:	Standard
Base Indicator:	No Mounting	Rodent Screen:	None
Bearing Grease Type:	Polyrex EM (-20F +300F)	Shaft Extension Location:	Pulley End
Blower:	None	Shaft Ground Indicator:	No Shaft Grounding

Constant Torque Speed Range:	1.2	Shaft Rotation:	Reversible
Current @ Voltage:	1.500 A @ 460.0 V	Shaft Slinger Indicator:	Shaft Slinger
Design Code:	B	Speed Code:	Single Speed
Drip Cover:	Drip Cover	Motor Standards:	NEMA
Duty Rating:	CONT	Starting Method:	Direct on line
Electrically Isolated Bearing:	Not Electrically Isolated	Thermal Device - Bearing:	None
Feedback Device:	NO FEEDBACK	Thermal Device - Winding:	None
Front Face Code:	Standard	Vibration Sensor Indicator:	No Vibration Sensor
Front Shaft Indicator:	None	Winding Thermal 1:	None
Heater Indicator:	No Heater	Winding Thermal 2:	None
		XP Temp Code:	T4

Nameplate NP3258E

CAT.NO.	VECP3581T-4			
SPEC.	05F006W751G1			
HP	1	TE		
VOLTS	460			
AMP	1.5			
RPM	1765			
FRAME	143TC	HZ	60	
SER.F.	1.15	CODE	N	
RATING	40C AMB-CONT		DES	B
SN				
DE	6205	ODE	6205	
NEMA-NOM-EFF	87.5	PF	70	
G.MIN.EFF	85.5	CC	010A	
T. CODE	T4	T=	135	

PH 3
CL F

Nameplate NP3261E	
SPEC.	05F006W751G1
D.E. BRG.	25BC02XP30X
O.D.E. BRG.	25BC02XP30X
GREASE	POLYREX EM
RPM MAX	2700
	MAX. KVAR N/A
BLANK	
INV. TYPE	PWM
T=	135
C HP FR	60
CT HZ FROM	1.2
VT HZ FROM	0-
HTR-VOLTS	
HTR-WATTS	
C HP TO	90
CT HZ TO	60
VT HZ TO	60
HTR-AMPS	
	MAX. SPACE HEATER TEMP.

AC Induction Motor Performance Data

Record # 61030 - Typical performance - not guaranteed values

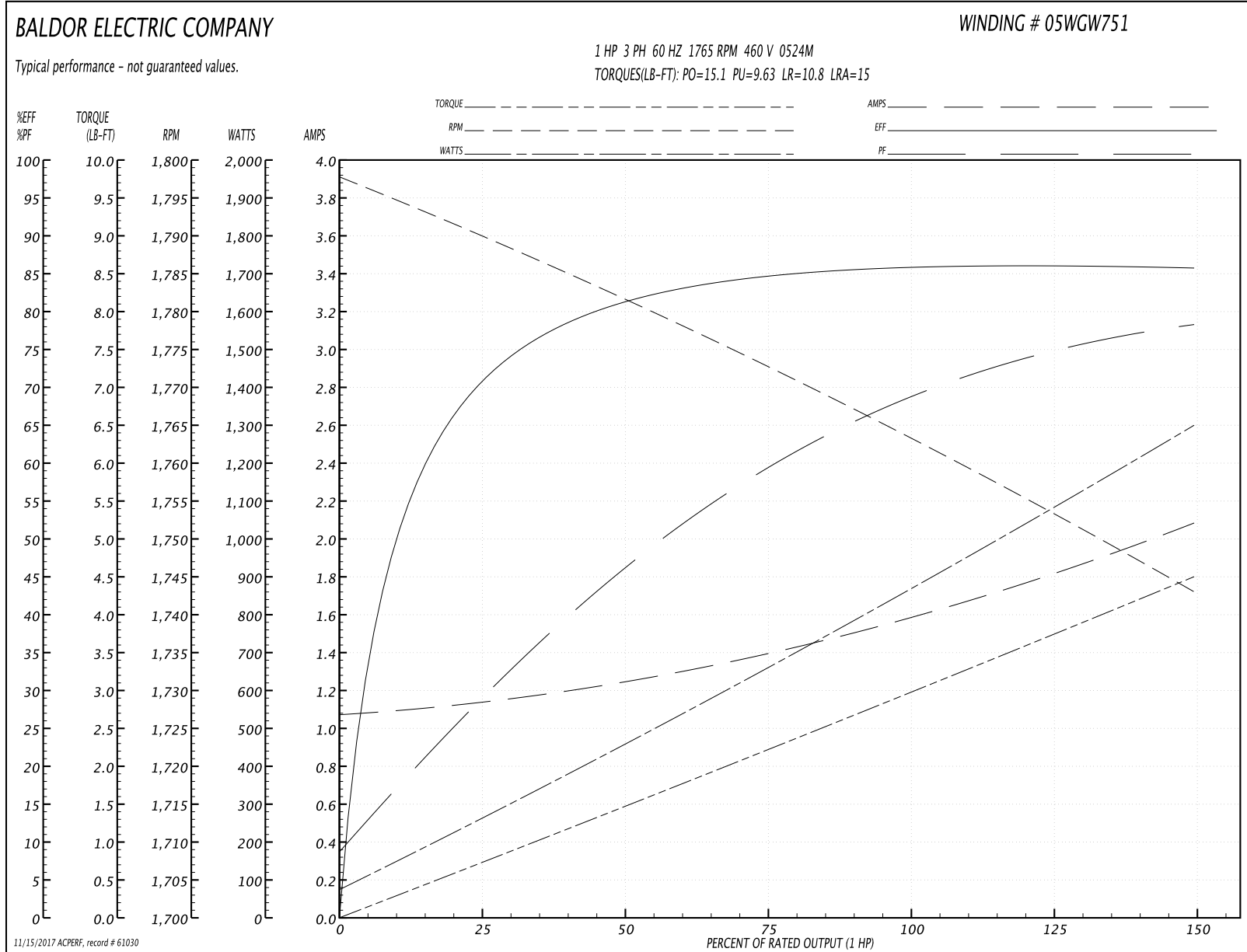
Winding: 05WGW751-R098	Type: 0524M	Enclosure: TENV
-------------------------------	--------------------	------------------------

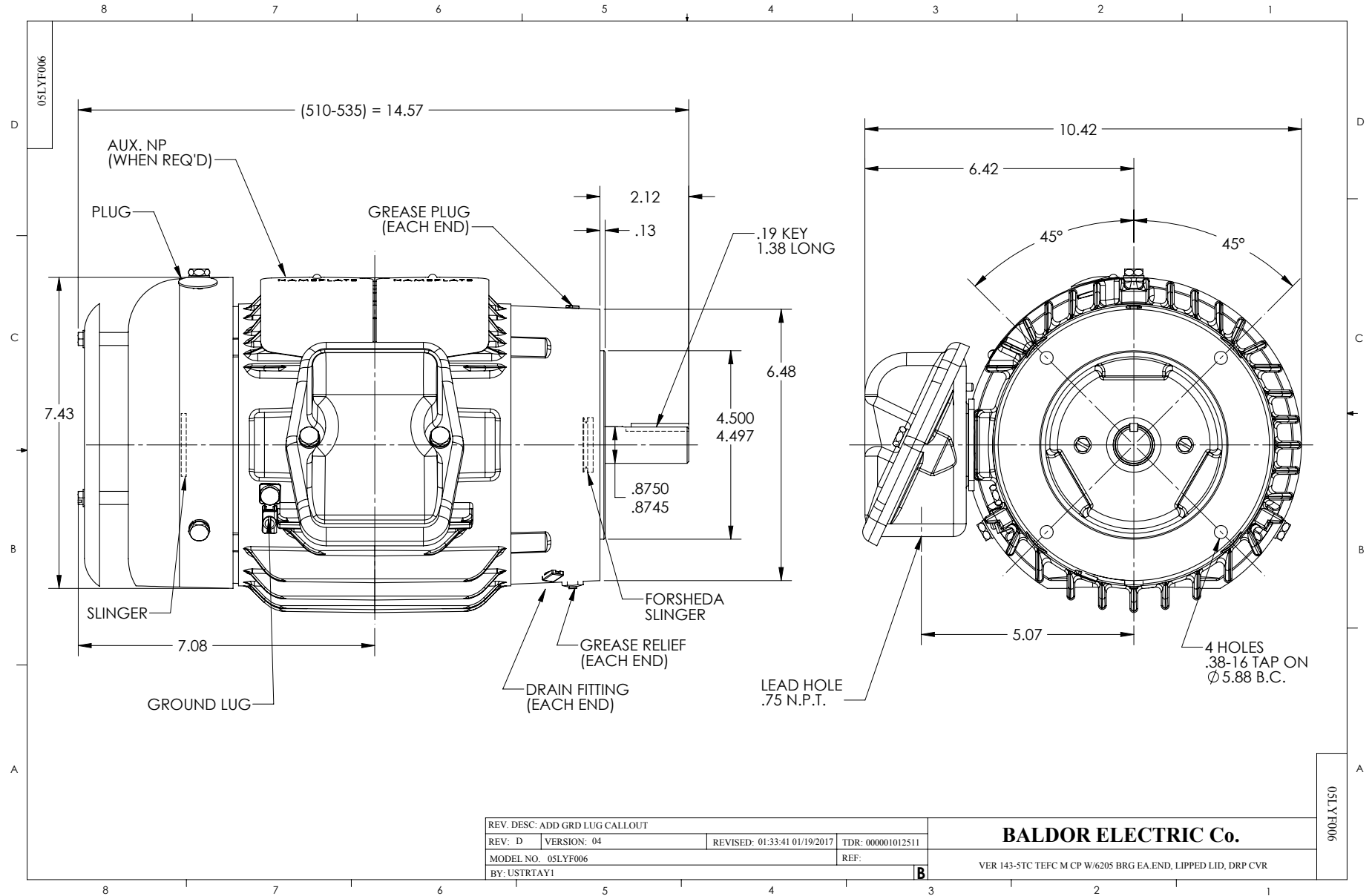
Nameplate Data				460 V, 60 Hz: Single Voltage Motor	
Rated Output (HP)	1			Full Load Torque	2.983 LB-FT
Volts	460			Start Configuration	direct on line
Full Load Amps	1.5			Breakdown Torque	15.1 LB-FT
R.P.M.	1765			Pull-up Torque	9.63 LB-FT
Hz	60	Phase	3	Locked-rotor Torque	10.8 LB-FT
NEMA Design Code	B	KVA Code	N	Starting Current	15 A
Service Factor (S.F.)	1.15			No-load Current	1.08 A
NEMA Nom. Eff.	87.5	Power Factor	70	Line-line Res. @ 25°C	11.599 Ω
Rating - Duty	40C AMB-CONT			Temp. Rise @ Rated Load	59°C
S.F. Amps				Temp. Rise @ S.F. Load	66°C
				Locked-rotor Power Factor	48.9

Load Characteristics 460 V, 60 Hz, 1 HP

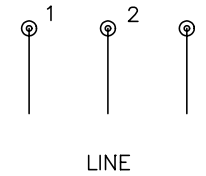
% of Rated Load	25	50	75	100	125	150	S.F.
Power Factor	30	47	59	68	75	79	72
Efficiency	70.8	81.2	84.6	85.9	86.2	85.7	86.1
Speed	1789.8	1781.4	1773.1	1763.3	1753.7	1742.9	1758
Line amperes	1.13	1.24	1.39	1.6	1.81	2.08	1.73

Performance Graph at 460V, 60Hz, 1.0HP Typical performance - Not guaranteed values





CD0006



NOTES:

1. THREE LEAD MOTOR MAY BE EITHER WYE CONNECTED OR DELTA CONNECTED.
2. INTERCHANGE ANY TWO LINE LEADS TO REVERSE ROTATION.
3. OPTIONAL THERMOSTATS ARE PROVIDED WHEN SPECIFIED.
4. ACTUAL NUMBER OF INTERNAL PARALLEL CIRCUITS MAY VARY.
5. LEAD COLORS ARE OPTIONAL. LEADS MUST BE NUMBERED AS SHOWN.

REV. DESC: REVISE TO SHOW OPTIONAL COLORS			
REV. LTR: D	BY: JLP	REVISED: 01/21/99 4:02	TDR: 0171435
9000D		FILE: AAA00005141	MDL: -
		MTL: -	

BALDOR ELECTRIC Co.

3PH, SV, 3 LEADS, WYE OR DELTA CONNECTED

CD0006