

BALDOR® • *RELIANCE*

Product Information Packet

EM4106T-5

20HP,3520RPM,3PH,60HZ,256T,0936M,TEFC,F1

Part Detail							
Revision:	J	Status:	PRD/A	Change #:		Proprietary:	No
Type:	AC	Elec. Spec:	09WGZ699	CD Diagram:	CD0006	Mfg Plant:	
Mech. Spec:	09P11	Layout:	09LYP011	Poles:	02	Created Date:	08-08-2016
Base:	RG	Eff. Date:	07-18-2017	Leads:	3#12		

Specs			
Catalog Number:	EM4106T-5	Inverter Code:	Inverter Ready
Enclosure:	TEFC	KVA Code:	H
Frame:	256T	Lifting Lugs:	Standard Lifting Lugs
Frame Material:	Iron	Locked Bearing Indicator:	Locked Bearing
Output @ Frequency:	20.000 HP @ 60 HZ	Motor Lead Quantity/Wire Size:	3 @ 12 AWG
Synchronous Speed @ Frequency:	3600 RPM @ 60 HZ	Motor Lead Exit:	Ko Box
Voltage @ Frequency:	575.0 V @ 60 HZ	Motor Lead Termination:	Flying Leads
XP Class and Group:	None	Motor Type:	0936M
XP Division:	Not Applicable	Mounting Arrangement:	F1
Agency Approvals:	CSA	Power Factor:	88
	CSA EEV	Product Family:	General Purpose
	UR	Pulley End Bearing Type:	Ball
Auxillary Box:	No Auxillary Box	Pulley Face Code:	Standard
Auxillary Box Lead Termination:	None	Pulley Shaft Indicator:	Standard
Base Indicator:	Rigid	Rodent Screen:	None
Bearing Grease Type:	Polyrex EM (-20F +300F)	Shaft Extension Location:	Pulley End
Blower:	None	Shaft Ground Indicator:	No Shaft Grounding
Current @ Voltage:	18.000 A @ 575.0 V	Shaft Rotation:	Reversible

Design Code:	A	Shaft Slinger Indicator:	Shaft Slinger
Drip Cover:	No Drip Cover	Speed Code:	Single Speed
Duty Rating:	CONT	Motor Standards:	NEMA
Electrically Isolated Bearing:	Not Electrically Isolated	Starting Method:	Direct on line
Feedback Device:	NO FEEDBACK	Thermal Device - Bearing:	None
Front Face Code:	Standard	Thermal Device - Winding:	None
Front Shaft Indicator:	None	Vibration Sensor Indicator:	No Vibration Sensor
Heater Indicator:	No Heater	Winding Thermal 1:	None
Insulation Class:	F	Winding Thermal 2:	None

Nameplate NP3441L										
CAT.NO.	EM4106T-5									
SPEC.	09P011Z699									
HP	20									
VOLTS	575									
AMP	18									
RPM	3520									
FRAME	256T				HZ	60			PH	3
SER.F.	1.15		CODE	H	DES	A		CL	F	
NEMA-NOM-EFF	91		PF	88						
RATING	40C AMB-CONT									
CC	010A				USABLE AT 208V					
DE	6309				ODE	6208				
ENCL	TEFC		SN							
VPWM INVERTER READY										
CT6-60H(10:1)VT3-60H(20:1)										

AC Induction Motor Performance Data

Record # 33069 - Typical performance - not guaranteed values

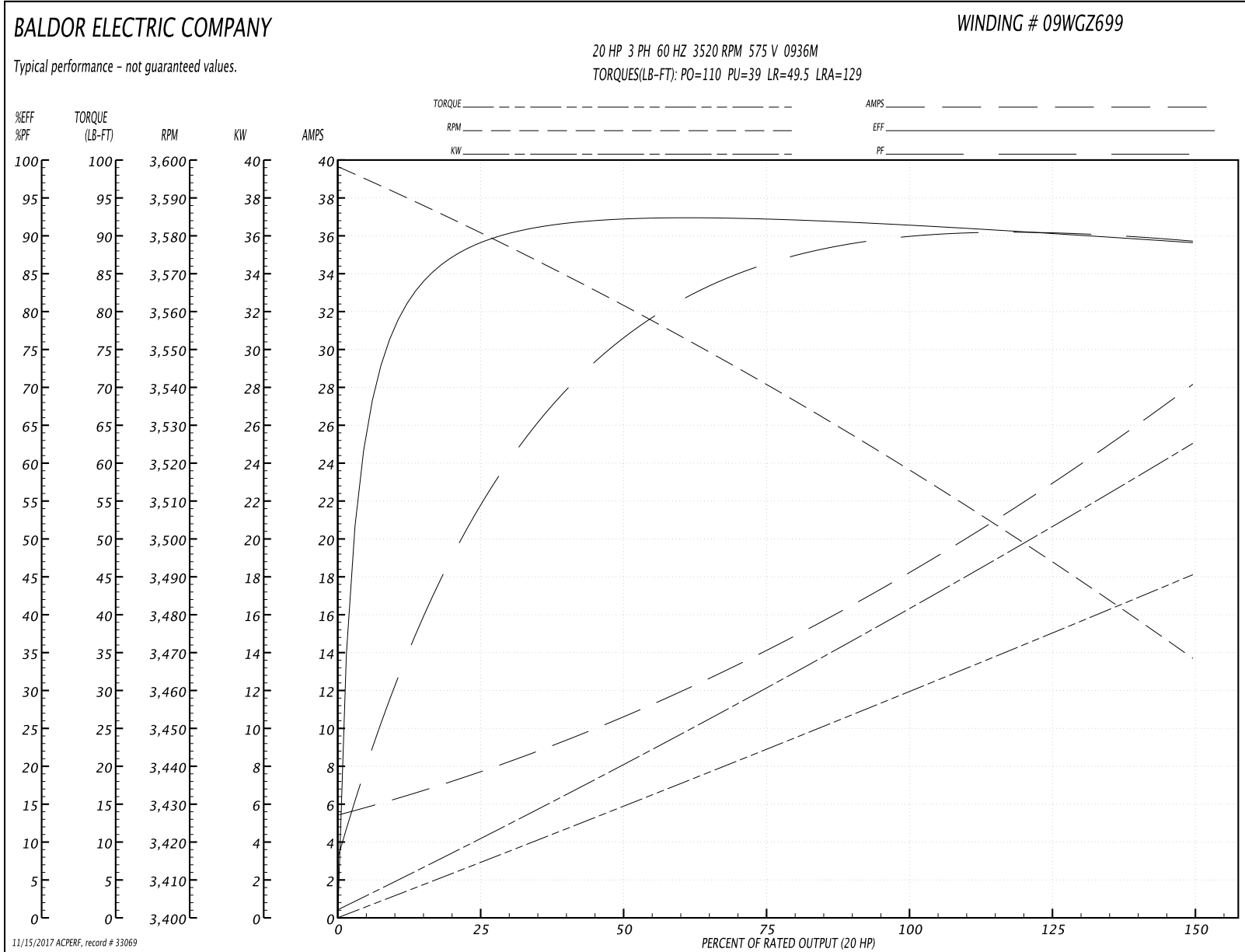
Winding: 09WGZ699-R001	Type: 0936M	Enclosure: TEFC
-------------------------------	--------------------	------------------------

Nameplate Data				575 V, 60 Hz: Single Voltage Motor	
Rated Output (HP)	20			Full Load Torque	29.7 LB-FT
Volts	575			Start Configuration	direct on line
Full Load Amps	18			Breakdown Torque	110 LB-FT
R.P.M.	3520			Pull-up Torque	39 LB-FT
Hz	60	Phase	3	Locked-rotor Torque	49.5 LB-FT
NEMA Design Code	A	KVA Code	H	Starting Current	129 A
Service Factor (S.F.)	1.15			No-load Current	5.75 A
NEMA Nom. Eff.	91	Power Factor	88	Line-line Res. @ 25°C	0.732 Ω
Rating - Duty	40C AMB-CONT			Temp. Rise @ Rated Load	78°C
S.F. Amps				Temp. Rise @ S.F. Load	98°C
				Locked-rotor Power Factor	29.5
				Rotor inertia	0.92 LB-FT ²

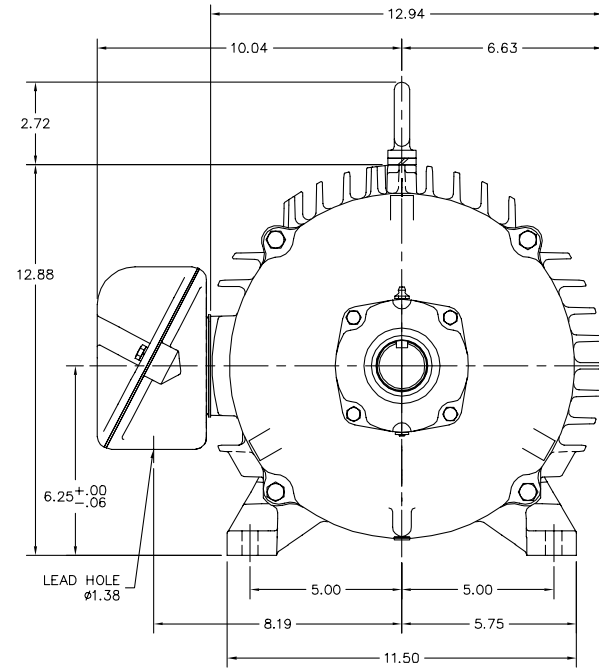
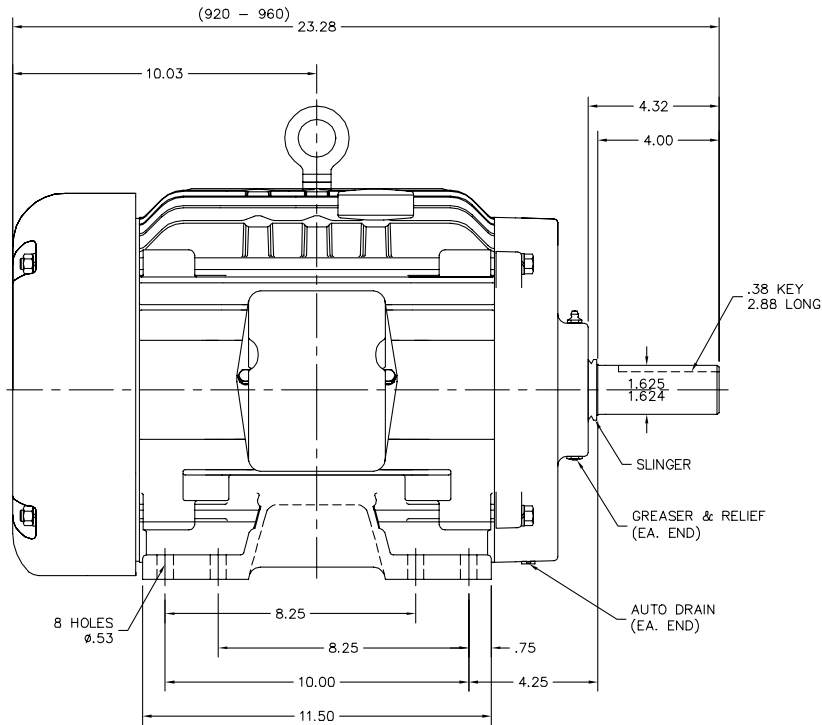
Load Characteristics 575 V, 60 Hz, 20 HP

% of Rated Load	25	50	75	100	125	150	S.F.
Power Factor	58	78	86	88	90	90	89
Efficiency	88.4	91.9	92.2	91.7	90.3	89	90.9
Speed	3580	3562	3541	3519	3495	3468	3505
Line amperes	7.21	10.4	14.2	18.4	22.9	28	21.1

Performance Graph at 575V, 60Hz, 20.0HP Typical performance - Not guaranteed values



09LYP011



09LYP011

CUSTOMER IS RESPONSIBLE FOR DETERMINING THAT BALDOR'S PRODUCT WILL PERFORM SUITABLY IN THE INTENDED APPLICATION.

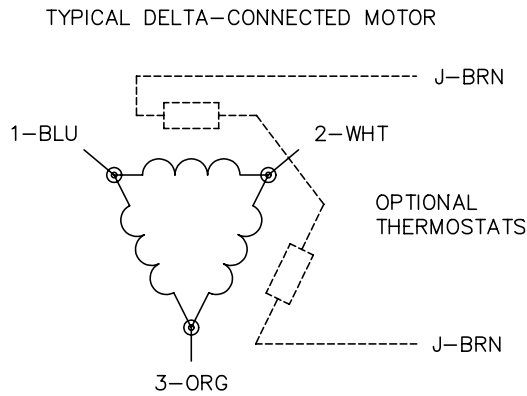
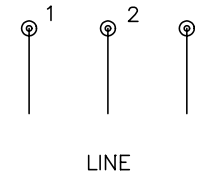
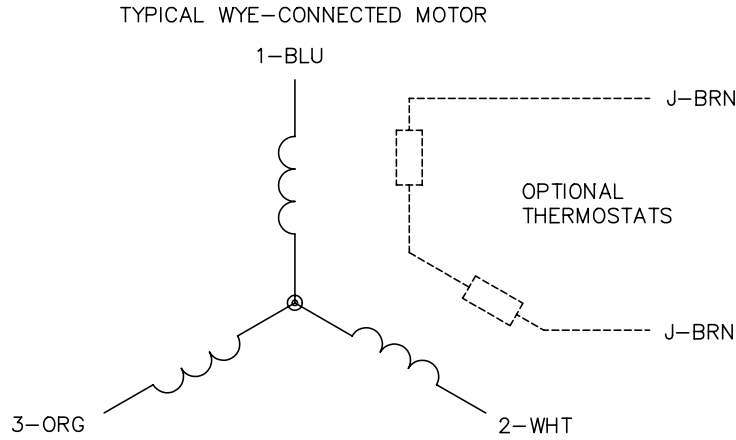
REV. DESC: CHG'D LAYOUT TO 920-960 ALL POLES	VERSION: 08	TDR: 000001046712
REV. LTR: N	REVISD: 03:18:30 10/11/2017	BY: ENSTEB1
FILE: \AAA\00026\716		
MTL: -		

BALDOR

HORZ TEFC 254-6T SUPER-E

SH 1 of 1

CD0006



NOTES:

1. THREE LEAD MOTOR MAY BE EITHER WYE CONNECTED OR DELTA CONNECTED.
2. INTERCHANGE ANY TWO LINE LEADS TO REVERSE ROTATION.
3. OPTIONAL THERMOSTATS ARE PROVIDED WHEN SPECIFIED.
4. ACTUAL NUMBER OF INTERNAL PARALLEL CIRCUITS MAY VARY.
5. LEAD COLORS ARE OPTIONAL. LEADS MUST BE NUMBERED AS SHOWN.

REV. DESC: REVISE TO SHOW OPTIONAL COLORS			
REV. LTR: D	BY: JLP	REVISED: 01/21/99 4:02	TDR: 0171435
9000D		FILE: AAA00005141	MDL: -
		MTL: -	

BALDOR ELECTRIC Co.

3PH, SV, 3 LEADS, WYE OR DELTA CONNECTED

CD0006