

BALDOR® • **RELIANCE**

Product Information Packet

VL1309A

1HP,3450RPM,1PH,60HZ,56C,3428L,OPEN,F1

Part Detail							
Revision:	AA	Status:	PRD/A	Change #:		Proprietary:	No
Type:	AC	Elec. Spec:	34WG3375	CD Diagram:	CD0052	Mfg Plant:	
Mech. Spec:	34F491	Layout:	34LYF491	Poles:	02	Created Date:	
Base:	N	Eff. Date:	10-23-2017	Leads:	4#16 A&J,2#18 B PH,1#14 #1TH		

Specs			
Catalog Number:	VL1309A	Heater Indicator:	No Heater
Enclosure:	OPEN	Insulation Class:	B
Frame:	56C	Inverter Code:	Not Inverter
Frame Material:	Steel	KVA Code:	L
Output @ Frequency:	1.000 HP @ 60 HZ	Lifting Lugs:	No Lifting Lugs
Synchronous Speed @ Frequency:	3600 RPM @ 60 HZ	Locked Bearing Indicator:	Locked Bearing
Voltage @ Frequency:	115.0 V @ 60 HZ	Motor Lead Quantity/Wire Size:	4 @ 16 AWG, A&J
	230.0 V @ 60 HZ	Motor Lead Exit:	Terminal Panel Or Lead Hole
	208.0 V @ 60 HZ	Motor Lead Termination:	Flying Leads
XP Class and Group:	None	Motor Type:	3428L
XP Division:	Not Applicable	Mounting Arrangement:	F1
Agency Approvals:	CSA	Power Factor:	65
	UR	Product Family:	General Purpose
Auxillary Box:	No Auxillary Box	Pulley End Bearing Type:	Ball
Auxillary Box Lead Termination:	None	Pulley Face Code:	C-Face
Base Indicator:	No Mounting	Pulley Shaft Indicator:	Standard
Bearing Grease Type:	Polyrex EM (-20F +300F)	Rodent Screen:	None
Blower:	None	Shaft Extension Location:	Pulley End

Current @ Voltage:	8.800 A @ 208.0 V	Shaft Ground Indicator:	No Shaft Grounding
	7.800 A @ 208.0 V	Shaft Rotation:	Reversible: Connected OPP STD
	7.000 A @ 230.0 V	Shaft Slinger Indicator:	No Slinger
	14.000 A @ 115.0 V	Speed Code:	Single Speed
Design Code:	N	Motor Standards:	NEMA
Drip Cover:	Drip Cover	Starting Method:	Direct on line
Duty Rating:	CONT	Thermal Device - Bearing:	None
Electrically Isolated Bearing:	Not Electrically Isolated	Thermal Device - Winding:	None
Feedback Device:	NO FEEDBACK	Vibration Sensor Indicator:	No Vibration Sensor
Front Face Code:	Drip Cover Mounting	Winding Thermal 1:	Automatic Thermal Overload
Front Shaft Indicator:	None	Winding Thermal 1 Location:	SB

Nameplate NP1257L	
CAT.NO.	VL1309A
SPEC.	34F491-3375G1
HP	1
VOLTS	115/208-230
AMP	14/7.8-7
RPM	3450
FRAME	56C
	HZ 60
	PH 1
SER.F.	1.40
	CODE L
	DES N
	CL B
NEMA-NOM-EFF	65
	PF 65
RATING	40C AMB-CONT
CC	USABLE AT 208V 8.8
DE	6203
	ODE 6203
ENCL	OPEN
	SN
	SFA 16/8.8-8

AC Induction Motor Performance Data

Record # 50767 - Typical performance - not guaranteed values

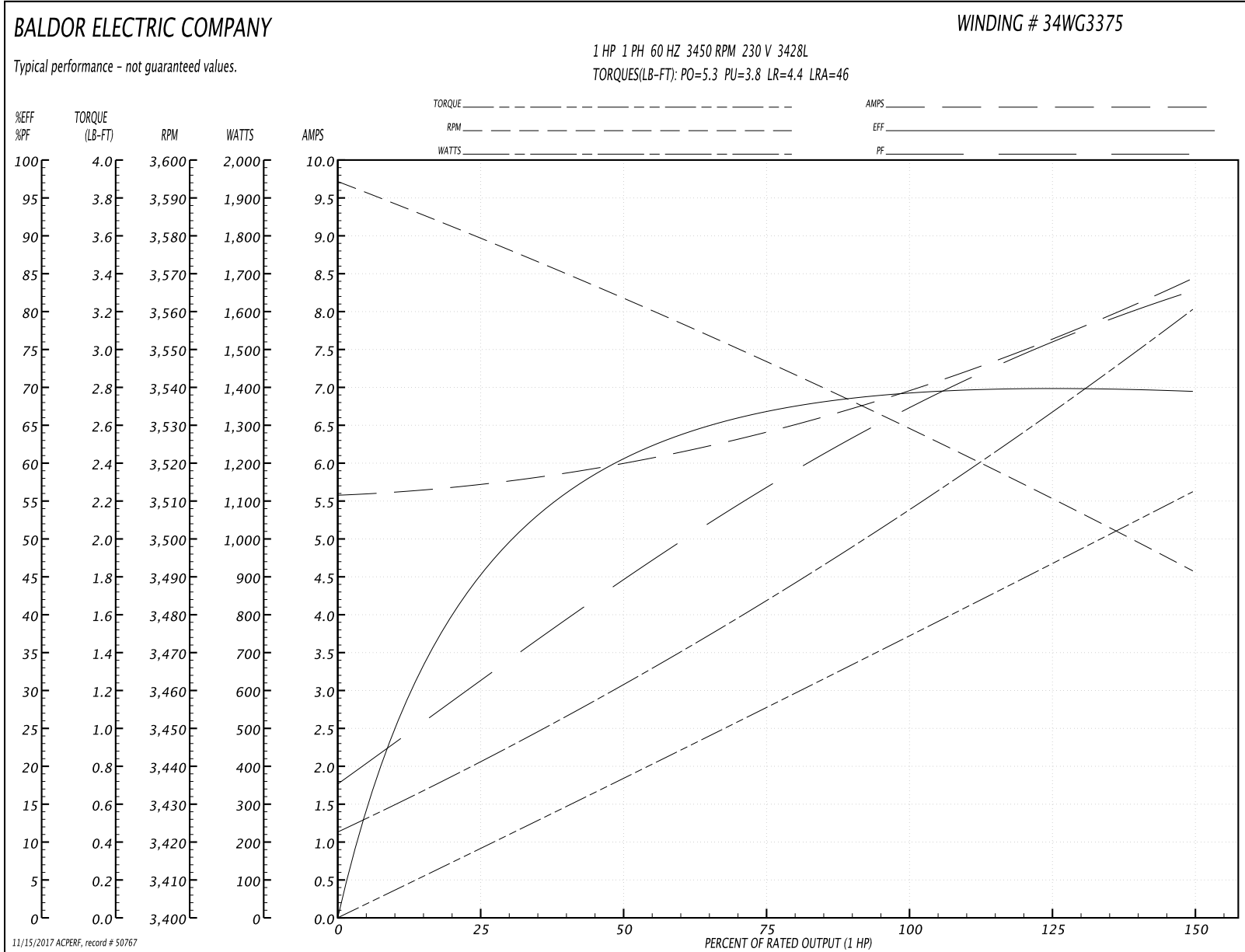
Winding: 34WG3375-R004	Type: 3428L	Enclosure: OPEN
-------------------------------	--------------------	------------------------

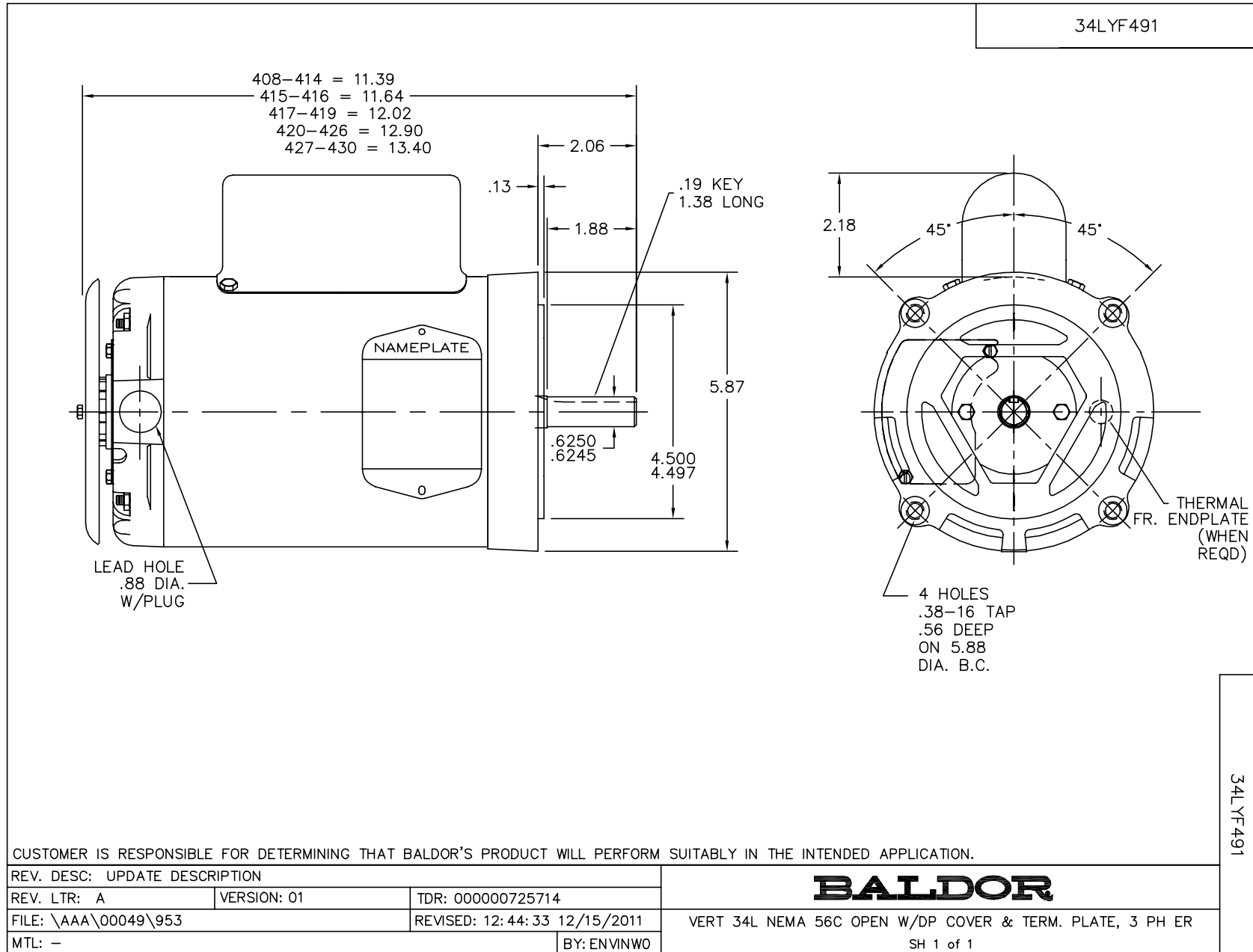
Nameplate Data				230 V, 60 Hz: High Voltage Connection	
Rated Output (HP)	1			Full Load Torque	1.5 LB-FT
Volts	115/208-230			Start Configuration	direct on line
Full Load Amps	14/7.8-7			Breakdown Torque	5.3 LB-FT
R.P.M.	3450			Pull-up Torque	3.8 LB-FT
Hz	60	Phase	1	Locked-rotor Torque	4.4 LB-FT
NEMA Design Code	N	KVA Code	L	Starting Current	46 A
Service Factor (S.F.)	1.4			No-load Current	5.6 A
NEMA Nom. Eff.	65	Power Factor	65	Line-line Res. @ 25°C	1.63 Ω A Ph 1.64 Ω B Ph
Rating - Duty	40C AMB-CONT			Temp. Rise @ Rated Load	37°C
S.F. Amps	16/8.8-8			Temp. Rise @ S.F. Load	47°C

Load Characteristics 230 V, 60 Hz, 1 HP

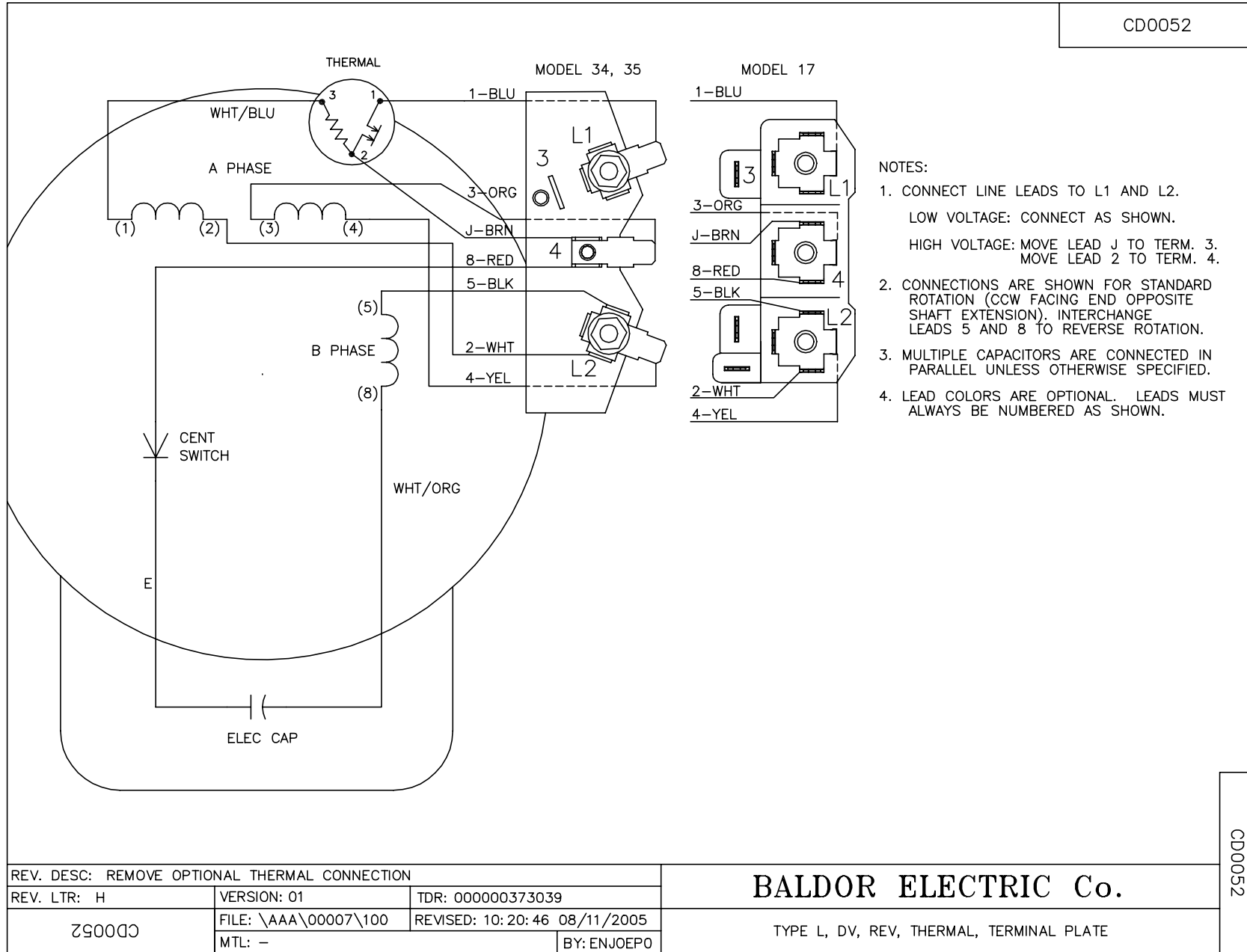
% of Rated Load	25	50	75	100	125	150	S.F.
Power Factor	31	45	58	68	75	83	79
Efficiency	47.1	60.7	66.5	69.1	70.2	69.4	70.9
Speed	3578	3563	3546	3529	3511	3491	3500
Line amperes	5.7	6	6.4	7	7.7	8.4	8.1

Performance Graph at 230V, 60Hz, 1.0HP Typical performance - Not guaranteed values





CD0052



CD0052

REV. DESC: REMOVE OPTIONAL THERMAL CONNECTION		
REV. LTR: H	VERSION: 01	TDR: 000000373039
Z90052	FILE: \AAA\00007\100	REVISED: 10:20:46 08/11/2005
	MTL: -	BY: ENJOEPO

BALDOR ELECTRIC Co.

TYPE L, DV, REV, THERMAL, TERMINAL PLATE